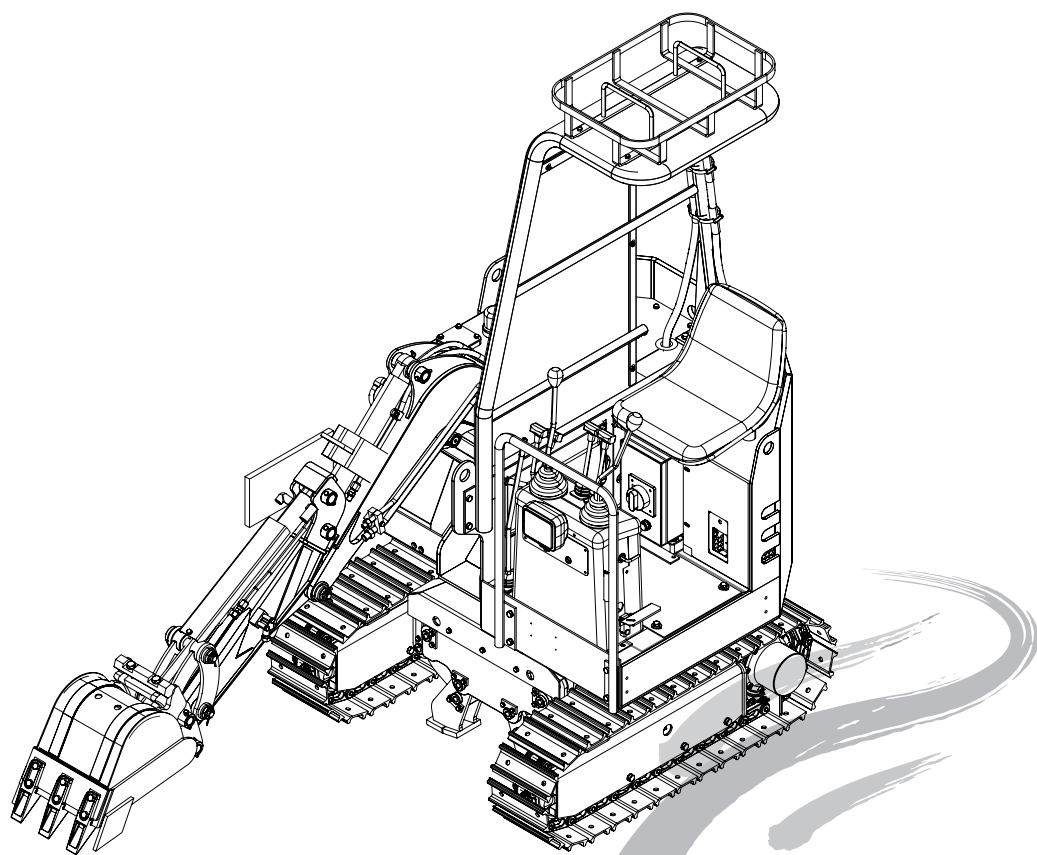


TM20-2 [P-TM20-2-XD] BOOK
NO. PX7-102Z5 SN 22001-

PARTS MANUAL

TM20-2



MINI EXCAVATOR

TAKEUCHI

| | |
|----------------------------|----|
| LOWER FRAME | 2 |
| LOWER FRAME | 6 |
| CRAWLER BELT (steel) | 8 |
| CRAWLER BELT (steel) | 9 |
| TRACK ROLLER | 10 |
| TRACK ROLLER | 11 |
| FRONT IDLER | 12 |
| FRONT IDLER | 13 |
| TRACK ADJUSTER | 14 |
| TRACK ADJUSTER | 15 |
| TRAVEL DEVICE | 16 |
| TRAVEL DEVICE | 17 |
| SLEW BEARING | 18 |
| SLEW BEARING | 19 |
| SWIVEL JOINT & ACCESSORIES | 20 |
| SWIVEL JOINT & ACCESSORIES | 22 |
| SLEWING DEVICE | 24 |
| SLEWING DEVICE | 25 |
| TURNTABLE | 26 |
| TURNTABLE | 27 |

| | |
|----------------------------|----|
| CONTROL LEVER(22001-22089) | 28 |
| CONTROL LEVER(22001-22089) | 31 |
| CONTROL LEVER(22090-) | 32 |
| CONTROL LEVER(22090-) | 36 |
| SELECT LEVER | 38 |
| SELECT LEVER | 39 |
| MOTOR(22001-22089) | 40 |
| MOTOR(22001-22089) | 42 |
| MOTOR(22090-) | 44 |
| MOTOR(22090-) | 46 |
| D.C. UNIT | 48 |
| D.C. UNIT | 50 |
| VALVE & ACCESSORIES | 52 |
| VALVE & ACCESSORIES | 53 |
| PIPING; UPPER | 54 |
| PIPING; UPPER | 58 |
| PUMP DRIVE | 60 |
| PUMP DRIVE | 62 |
| HYDRAULIC TANK | 64 |
| HYDRAULIC TANK | 66 |

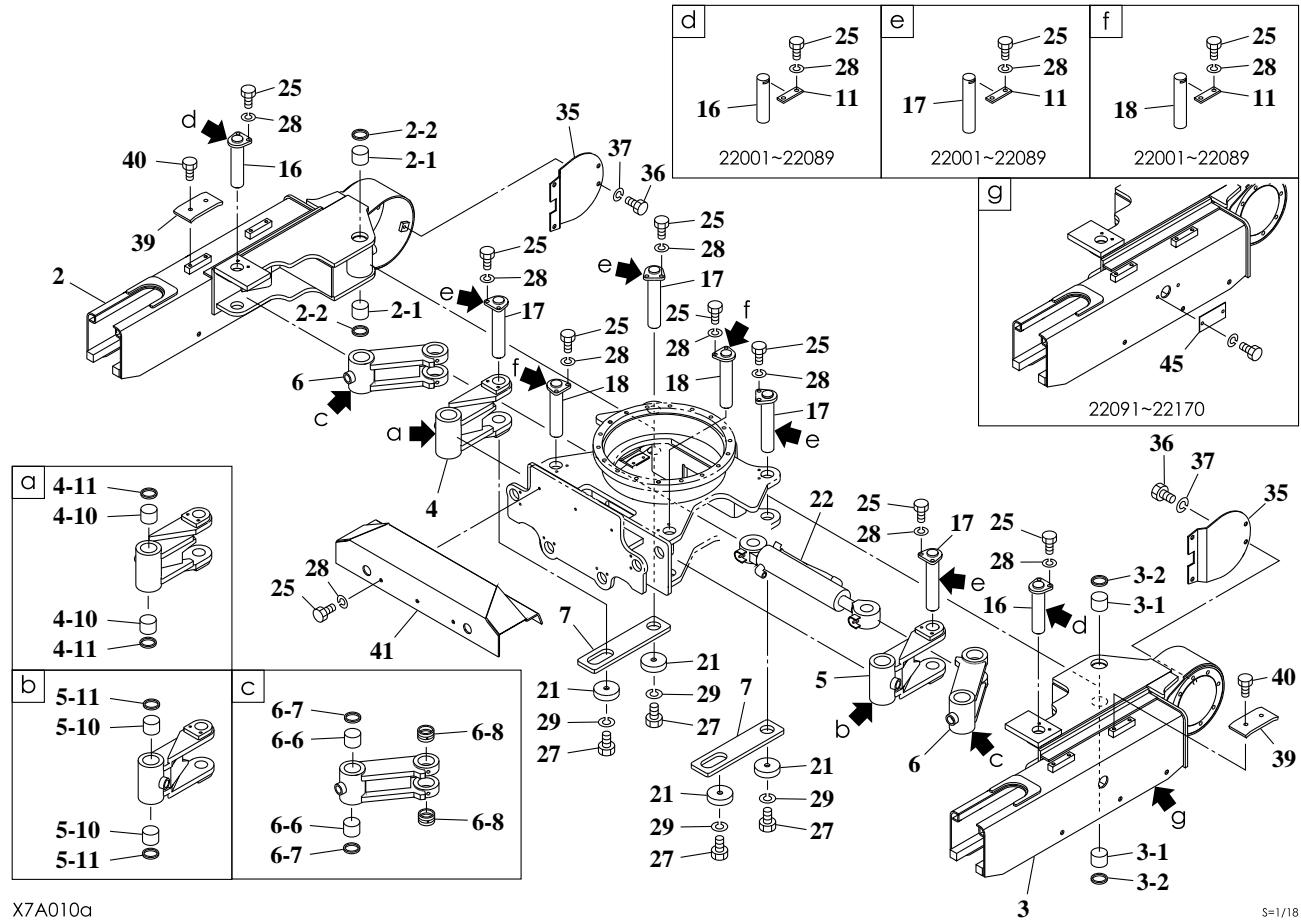
| | |
|----------------------------|----|
| COVER | 68 |
| COVER | 69 |
| OPERATOR SEAT(22001-22090) | 70 |
| OPERATOR SEAT(22001-22090) | 71 |
| OPERATOR SEAT(22090-22136) | 72 |
| OPERATOR SEAT(22090-22136) | 73 |
| OPERATOR SEAT(1/2)(22137-) | 74 |
| OPERATOR SEAT(1/2)(22137-) | 75 |
| OPERATOR SEAT(2/2)(22137-) | 76 |
| OPERATOR SEAT(2/2)(22137-) | 77 |
| CANOPY | 78 |
| CANOPY | 79 |
| TOPS CANOPY | 80 |
| TOPS CANOPY | 81 |
| BOOM | 82 |
| BOOM | 85 |
| BOOM FISHING HOOK | 86 |
| BOOM FISHING HOOK | 87 |
| ARM | 88 |
| ARM | 90 |

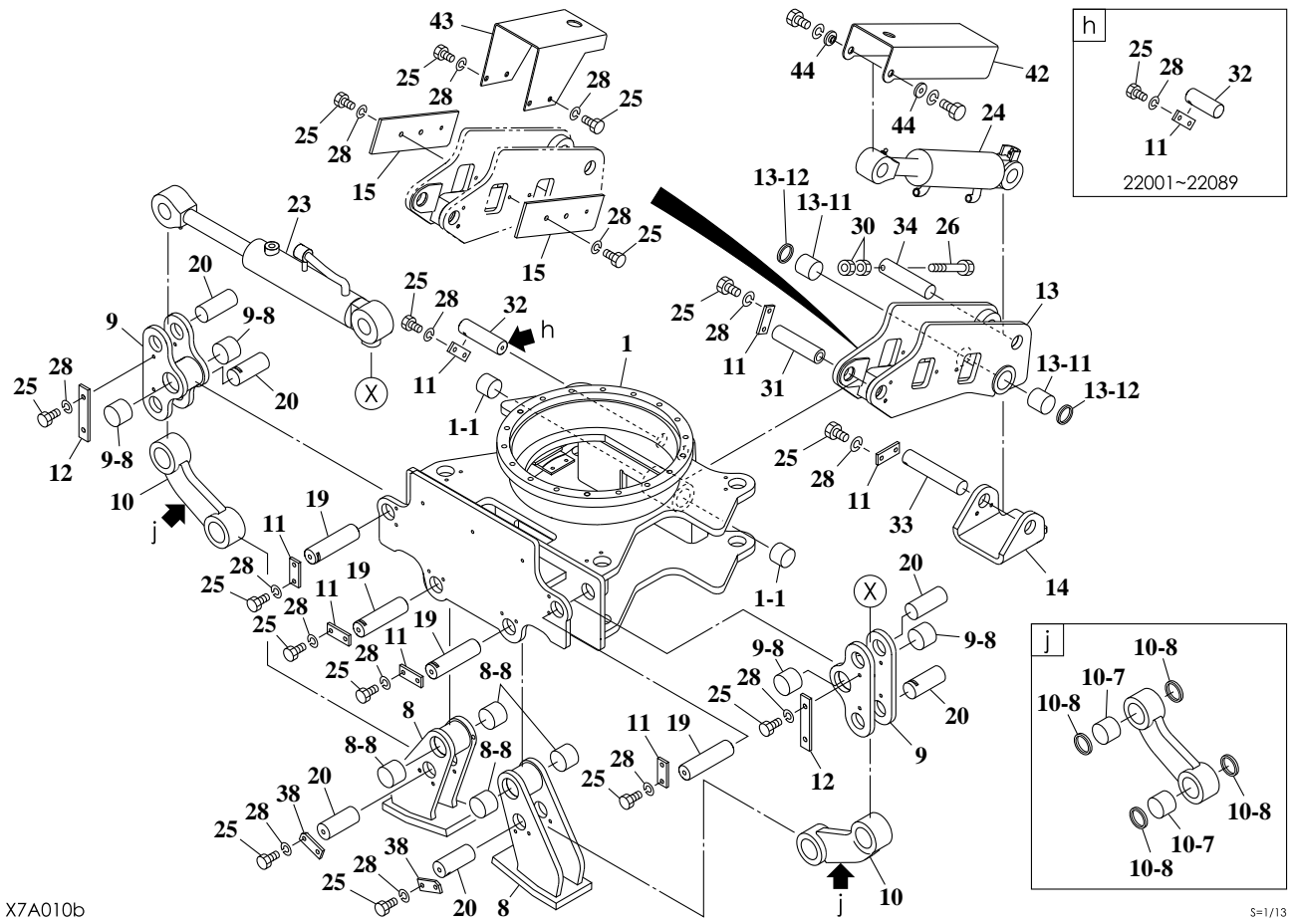
| | |
|--------------------|-----|
| BUCKET | 92 |
| BUCKET | 93 |
| DECAL(TM20-2) | 94 |
| DECAL(TM20-2) | 96 |
| DECAL(AT20MS) | 98 |
| DECAL(AT20MS) | 100 |
| TOOL & ACCESSORIES | 102 |
| TOOL & ACCESSORIES | 103 |
| PAINTED COLOR | 104 |
| PAINTED COLOR | 105 |
| SWIVEL JOINT | 106 |
| SWIVEL JOINT | 108 |
| CONTROL VALVE | 110 |
| CONTROL VALVE | 111 |
| INLET COVER 1 | 112 |
| INLET COVER 1 | 113 |
| BLOCK ASSY; No. 1 | 114 |
| BLOCK ASSY; No. 1 | 115 |
| BLOCK ASSY; No. 2 | 116 |
| BLOCK ASSY; No. 2 | 117 |

| | |
|-------------------|-----|
| BLOCK ASSY; No. 3 | 118 |
| BLOCK ASSY; No. 3 | 119 |
| BLOCK ASSY; No. 4 | 120 |
| BLOCK ASSY; No. 4 | 121 |
| BLOCK ASSY; No. 5 | 122 |
| BLOCK ASSY; No. 5 | 123 |
| BLOCK ASSY; No. 6 | 124 |
| BLOCK ASSY; No. 6 | 125 |
| BLOCK ASSY; No. 7 | 126 |
| BLOCK ASSY; No. 7 | 127 |
| BLOCK ASSY; No. 8 | 128 |
| BLOCK ASSY; No. 8 | 129 |
| INLET COVER 2 | 130 |
| INLET COVER 2 | 131 |
| BOOM CYLINDER | 132 |
| BOOM CYLINDER | 134 |
| ARM CYLINDER | 136 |
| ARM CYLINDER | 137 |
| BUCKET CYLINDER | 138 |
| BUCKET CYLINDER | 139 |

| | |
|--------------------------------|-----|
| OUTRIGGER CYLINDER 1 | 140 |
| OUTRIGGER CYLINDER 1 | 141 |
| OUTRIGGER CYLINDER 2 | 142 |
| OUTRIGGER CYLINDER 2 | 143 |
| SPAN CYLINDER | 144 |
| SPAN CYLINDER | 145 |
| TRAVEL MOTOR(1/3)(22001-22132) | 146 |
| TRAVEL MOTOR(1/3)(22001-22132) | 147 |
| TRAVEL MOTOR(2/3)(22001-22132) | 148 |
| TRAVEL MOTOR(2/3)(22001-22132) | 149 |
| TRAVEL MOTOR(3/3)(22001-22132) | 150 |
| TRAVEL MOTOR(3/3)(22001-22132) | 151 |
| SLEW MOTOR (1/3) | 152 |
| SLEW MOTOR (1/3) | 153 |
| SLEW MOTOR (2/3) | 154 |
| SLEW MOTOR (2/3) | 155 |
| SLEW MOTOR (3/3) | 156 |
| SLEW MOTOR (3/3) | 157 |
| HYDRAULIC PUMP | 158 |
| HYDRAULIC PUMP | 159 |

LOWER FRAME





X7A010b

LOWER FRAME

| Item List | | | | | | | |
|-----------|-------------|------|-----------------|------|---------|---------------|--------------|
| Item | Part Number | Lev. | Description | Q'ty | Compat. | Serial Number | Mod. Remarks |
| 1 | *****_***** | | NOT FOR SALE | 1 | | | |
| 1-1 | 00021-00010 | . | BUSHING | 2 | | | |
| 2 | *****_***** | | NOT FOR SALE | 1 | | | |
| 2-1 | 00024-00028 | . | BUSHING | 2 | | | |
| 2-2 | 14332-00035 | . | PIN, seal | 2 | | | |
| 3 | *****_***** | | NOT FOR SALE | 1 | | | |
| 3-1 | 00024-00028 | . | BUSHING | 2 | | | |
| 3-2 | 14332-00035 | . | PIN, seal | 2 | | | |
| 4 | 00510-41400 | | ARM, link(R.H.) | 1 | | | |
| 4-10 | 00024-00028 | . | BUSHING | 2 | | | |
| 4-11 | 14322-00035 | . | SEAL, dust | 2 | | | |
| 5 | 00510-41500 | | ARM, link(L.H.) | 1 | | | |
| 5-10 | 00024-00028 | . | BUSHING | 2 | | | |
| 5-11 | 14322-00035 | . | SEAL, dust | 2 | | | |
| 6 | 00510-41600 | | ARM, link | 2 | | | |
| 6-6 | 00024-00028 | . | BUSHING | 2 | | | |
| 6-7 | 14322-00035 | . | SEAL, dust | 2 | | | |
| 6-8 | 00022-00001 | . | BUSHING | 2 | | | |
| 7 | 00510-43300 | | STOPPER | 2 | | | |
| 8 | 00510-41800 | | OUTRIGGER | 2 | | | |
| 8-8 | 00021-00001 | . | BUSHING | 2 | | | |
| 9 | 00510-41900 | | ARM, link | 2 | | | |
| 9-8 | 00021-00001 | . | BUSHING | 2 | | | |
| 10 | 00510-42000 | | ARM | 2 | | | |
| 10-7 | 00021-00001 | . | BUSHING | 2 | | | |
| 10-8 | 14322-00035 | . | SEAL, dust | 4 | | | |
| 11 | 00510-40010 | | PLATE | 15 | | 22001~22089 | |

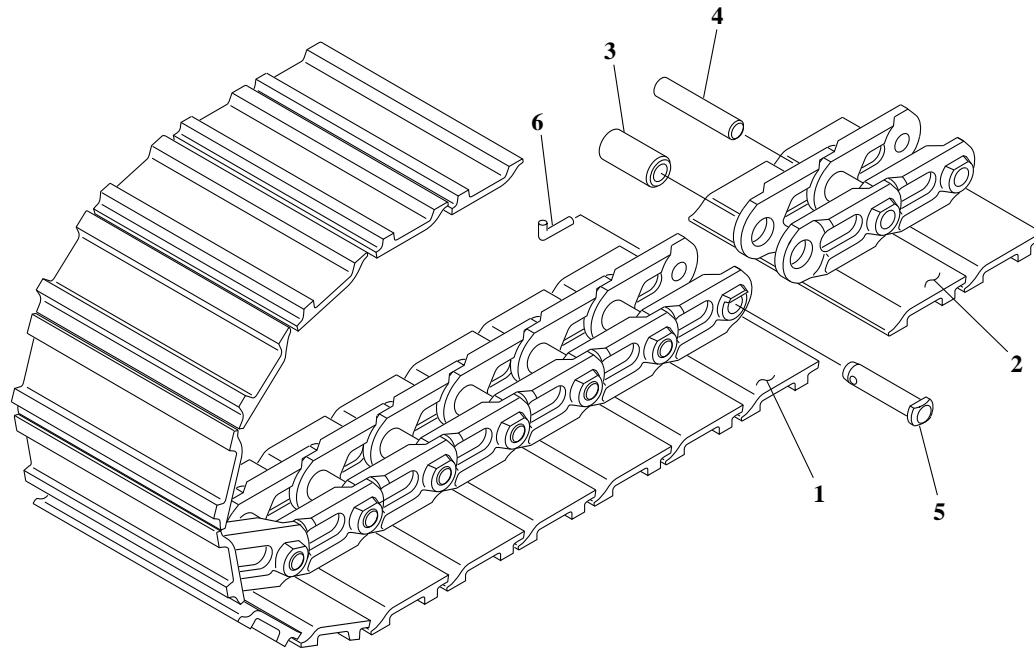
LOWER FRAME

| | | | | | | | | |
|-------|-------------|---|---------------------|-------|--|-------------|--|--|
| 11 | 00510-40010 | | PLATE | 7 | | 22090~ | | |
| 12 | 00510-40030 | | PLATE | 2 | | | | |
| 13 | 00510-42100 | | ARM | 1 | | | | |
| 13-11 | 00023-30040 | . | BUSHING | 2 | | | | |
| 13-12 | 14322-00030 | . | SEAL, dust | 2 | | | | |
| 14 | 00510-42200 | | FOOT | 1 | | | | |
| 15 | 00510-42300 | | PLATE | 2 | | | | |
| 16 | 00016-92005 | | PIN | 2 | | 22001~22089 | | |
| 16 | 00510-45800 | | PIN | 2 (H) | | 22090~ | | |
| 17 | 00016-92012 | | PIN | 4 | | 22001~22089 | | |
| 17 | 00510-45820 | | PIN | 4 (H) | | 22090~ | | |
| 18 | 00016-92004 | | PIN | 2 | | 22001~22089 | | |
| 18 | 00510-45810 | | PIN | 2 (H) | | 22090~ | | |
| 19 | 00016-92031 | | PIN | 4 | | | | |
| 20 | 00016-92030 | | PIN | 6 | | | | |
| 21 | 00510-32600 | | WASHER | 4 | | | | |
| 22 | 19000-68900 | | CYLINDER ASSY | 1 | | | | |
| 23 | 19000-67800 | | CYLINDER, outrigger | 1 | | | | |
| 24 | 19000-66800 | | CYLINDER, outrigger | 1 | | | | |
| 25 | 11000-40820 | | BOLT | 47 | | | | |
| 26 | 11000-41070 | | BOLT | 1 | | | | |
| 27 | 11010-41425 | | BOLT | 4 | | | | |
| 28 | 11400-20008 | | WASHER, spring | 47 | | | | |
| 29 | 11400-20014 | | WASHER, spring | 4 | | | | |
| 30 | 11300-40010 | | NUT | 2 | | | | |
| 31 | 00016-91021 | | PIN | 1 | | | | |
| 32 | 00016-91012 | | PIN | 1 | | 22001~22089 | | |
| 32 | 00510-45830 | | PIN | 1 (H) | | 22090~ | | |
| 33 | 00016-91011 | | PIN | 1 | | | | |

LOWER FRAME

| | | | | | | |
|----|-------------|--|----------------|---|-------------|--|
| 34 | 00016-01130 | | PIN | 1 | | |
| 35 | 00510-42400 | | COVER | 2 | | |
| 36 | 11000-41016 | | BOLT | 6 | | |
| 37 | 11400-20010 | | HARNES, wiring | 6 | | |
| 38 | 00510-40040 | | PLATE | 2 | | |
| 39 | 04210-13800 | | SLIDE, shoe | 4 | | |
| 40 | 11000-41020 | | BOLT | 8 | | |
| 41 | 00510-43500 | | COVER | 1 | | |
| 42 | 00510-43600 | | COVER | 1 | 22090~ | |
| 43 | 00510-43610 | | COVER | 1 | 22090~ | |
| 44 | 00510-43620 | | COLLAR | 2 | 22090~ | |
| 45 | 03410-04000 | | COVER | 2 | 22091~22170 | |

CRAWLER BELT (steel)



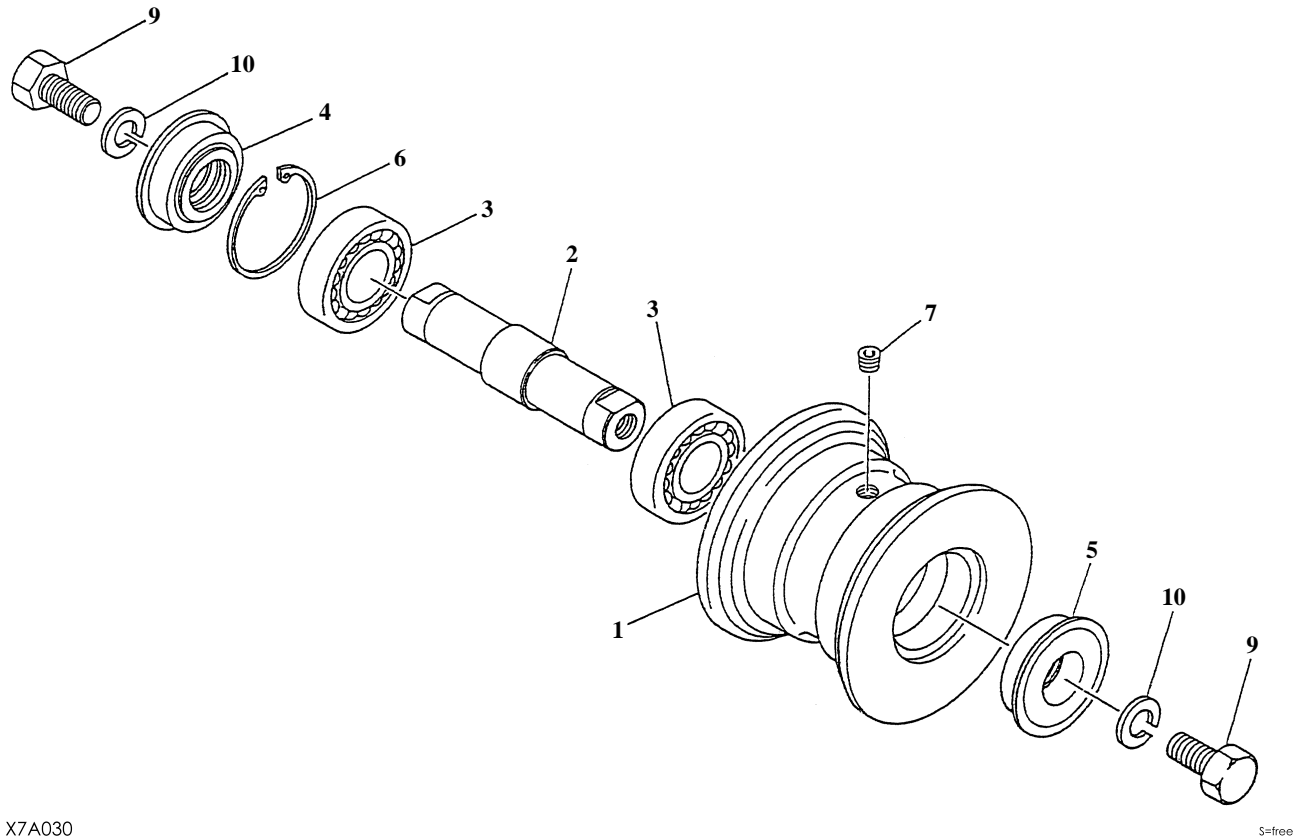
X7A020

S=free

CRAWLER BELT (steel)

| Item List | | | | | | | |
|-----------|-------------|------|---------------------|------|---------|---------------|--------------|
| Item | Part Number | Lev. | Description | Q'ty | Compat. | Serial Number | Mod. Remarks |
| 0-1 | 19140-50200 | | SHOE, track | 2 | | 22001~22132 | not on sale |
| 0-1 | 19143-02600 | | BELT, steel crawler | 2 | (H) | 22133~ | |
| 1 | 19140-50214 | . | PLATE ASSY, master | 1 | | 22001~22132 | |
| 1 | 19143-02314 | . | PLATE ASSY, master | 1 | | 22133~ | |
| 2 | 19140-50213 | . | PLATE ASSY | 28 | | 22001~22132 | |
| 2 | 19143-02313 | . | PLATE ASSY | 28 | | 22133~ | |
| 3 | 19140-50005 | . | BUSHING | 29 | | | |
| 4 | 19140-50006 | . | PIN, track | 28 | | | |
| 5 | 19140-50007 | . | PIN, master | 1 | | | |
| 6 | 19140-50008 | . | PIN, coter | 1 | | | |

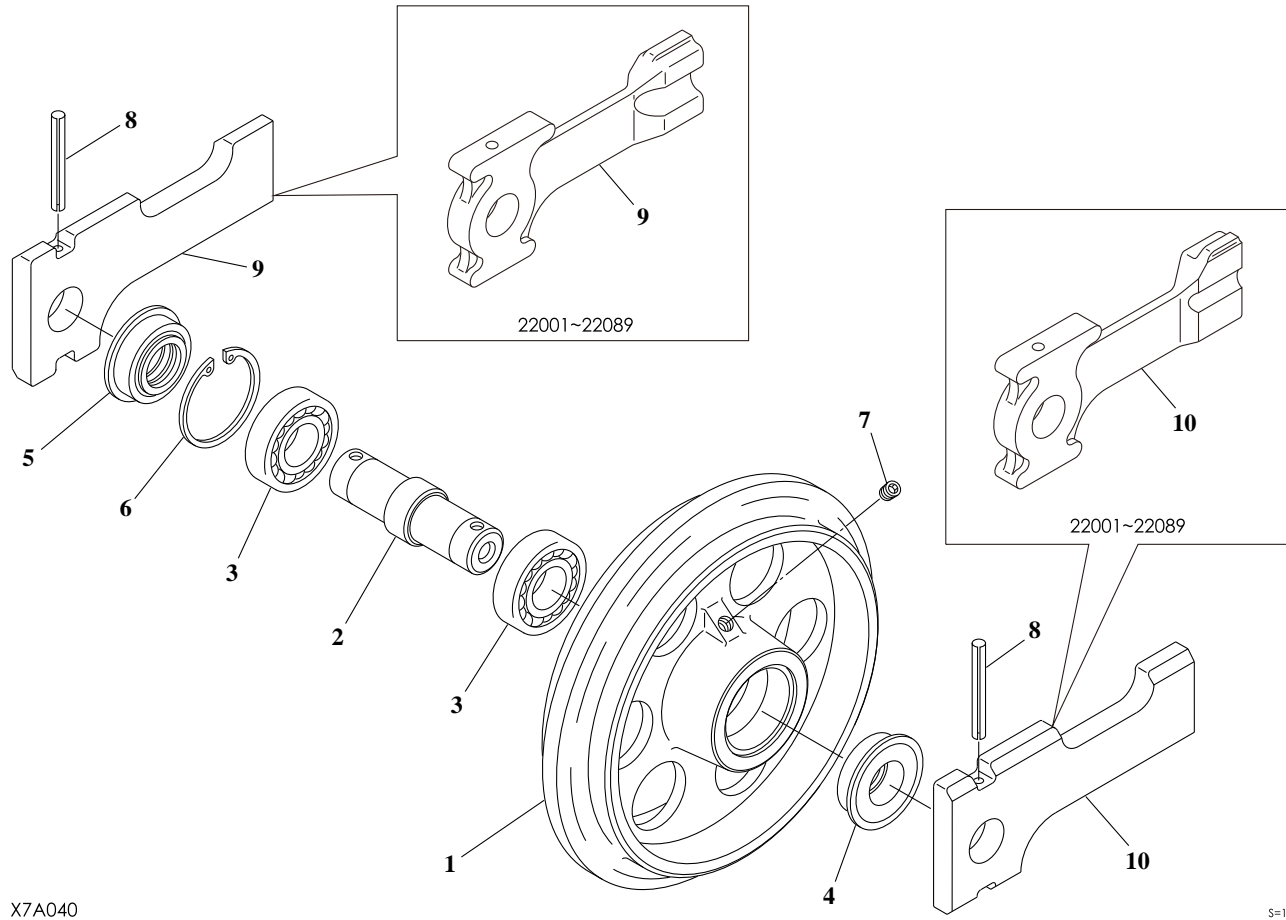
TRACK ROLLER



TRACK ROLLER

| Item List | | | | | | | | |
|-----------|-------------|------|-----------------|------|---------|---------------|------|---------|
| Item | Part Number | Lev. | Description | Q'ty | Compat. | Serial Number | Mod. | Remarks |
| 0-1 | 04213-01100 | | ROLLER SUB ASSY | 6 | | | | |
| 1 | 04213-01200 | . | ROLLER | 1 | | | | |
| 2 | 04213-01300 | . | SHAFT | 1 | | | | |
| 3 | 13000-06205 | . | BEARING | 2 | | | | |
| 4 | 14312-02552 | . | SEAL | 1 | | | | |
| 5 | 14312-02547 | . | SEAL | 1 | | | | |
| 6 | 12210-00052 | . | RING, retaining | 1 | | | | |
| 7 | 15018-10001 | . | PLUG | 1 | | | | |
| 9 | 11010-41225 | | BOLT | 12 | | | | |
| 10 | 11400-10012 | | WASHER, spring | 12 | | | | |

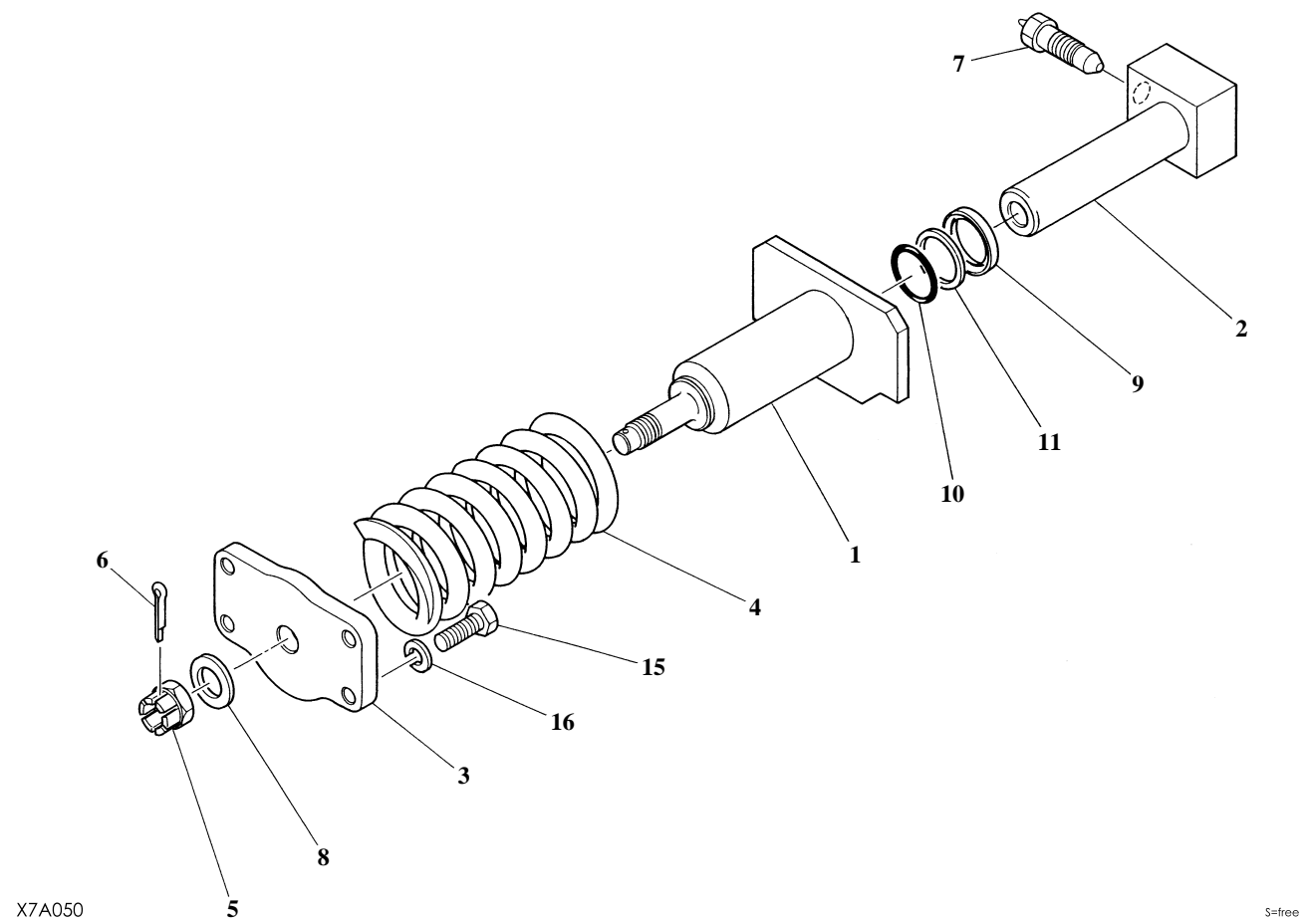
FRONT IDLER



FRONT IDLER

| Item List | | | | | | | |
|---|-------------|------|-----------------|------|---------|---------------|--------------|
| Item | Part Number | Lev. | Description | Q'ty | Compat. | Serial Number | Mod. Remarks |
| 0-1 | 04214-01200 | | IDLER, front | 2 | | | |
| 1 | 04214-01100 | . | IDLER | 1 | | | |
| 2 | 04214-00200 | . | SHAFT | 1 | | | |
| 3 | 13000-06206 | . | BEARING | 2 | | | |
| 4 | 14312-03055 | . | SEAL | 1 | | | |
| 5 | 14312-03062 | . | SEAL | 1 | | | |
| 6 | 12210-00062 | . | RING, retaining | 1 | | | |
| 7 | 15018-10001 | . | PLUG | 1 | | | |
| 8 | 12130-00670 | | PIN, spring | 4 | | | |
| 9 | 04214-00300 | | YOKE, (R.H.) | 2 | A | 22001~22089 | |
| 9 | 03414-03020 | | YOKE | 2 | a | 22090~ | |
| 10 | 04214-00400 | | YOKE (L.H.) | 2 | A | 22001~22089 | |
| 10 | 03414-03030 | | YOKE | 2 | a | 22090~ | |
| Notes | | | | | | | |
| Item/Part number/Description/Q'ty/Chan./Remarks | | | | | | | |
| 1*/00515-21300/PLATE/2/a/2set | | | | | | | |
| SET "A" is interchangeable with SET "a". | | | | | | | |

TRACK ADJUSTER



X7A050

S=free

TRACK ADJUSTER

| Item List | | | | | | | | |
|-----------|-------------|------|-----------------------------|------|---------|---------------|------|---------|
| Item | Part Number | Lev. | Description | Q'ty | Compat. | Serial Number | Mod. | Remarks |
| 0-1 | 00515-20100 | | CUSHION ASSY | 2 | | 22001~22089 | | |
| 0-1 | 00515-21100 | | SPRING ASSY, track adjuster | 2 | | 22090~ | | |
| 1 | 00515-20200 | . | CYLINDER, grease | 1 | | | | |
| 2 | 04215-02300 | . | PISTON | 1 | | | | |
| 3 | 00515-20300 | . | PLATE | 1 | A | 22001~22089 | | |
| 3 | 00515-21300 | . | PLATE | 1 | a | 22090~ | | |
| 4 | 00070-00018 | . | SPRING | 1 | | | | |
| 5 | 11320-30020 | . | NUT | 1 | | | | |
| 6 | 12100-00440 | . | PIN, split | 1 | | | | |
| 7 | 15413-00501 | . | VALVE ASSY, check | 1 | | | | |
| 8 | 11415-40020 | . | WASHER | 1 | | | | |
| 9 | 14004-01654 | . | SEAL, oil | 1 | | | | |
| 10 | 14220-10300 | . | O-RING | 1 | | | | |
| 11 | 14210-20300 | . | RING, back-up | 1 | | | | |
| 15 | 11000-51035 | | BOLT | 8 | | | | |
| 16 | 11400-10010 | | WASHER, spring | 8 | | | | |

Notes

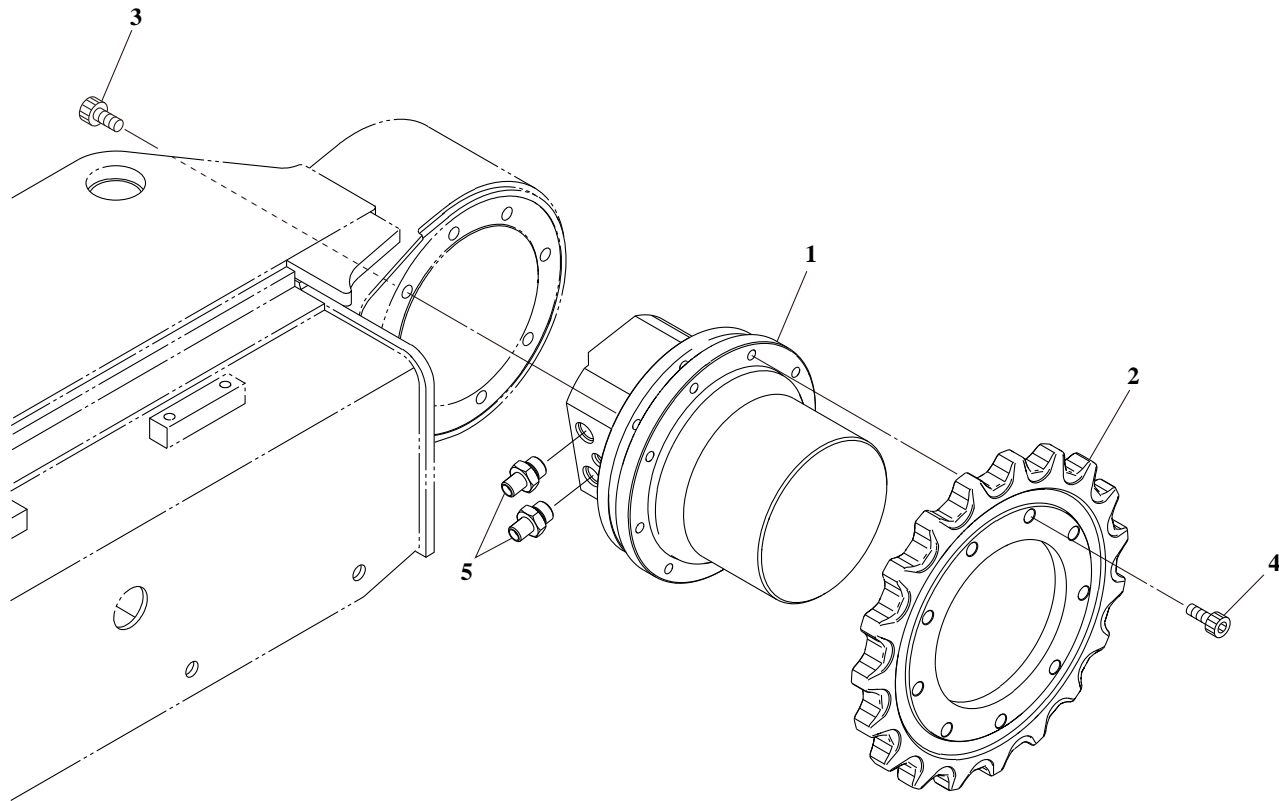
Item/Part number/Description/Q'ty/Chan./Remarks

1*/03414-03020/YOKE (R.H.)/1/a/1set

2*/03414-03030/YOKE (L.H.)/1/a/1set

SET "A" is interchangeable with SET "a".

TRAVEL DEVICE



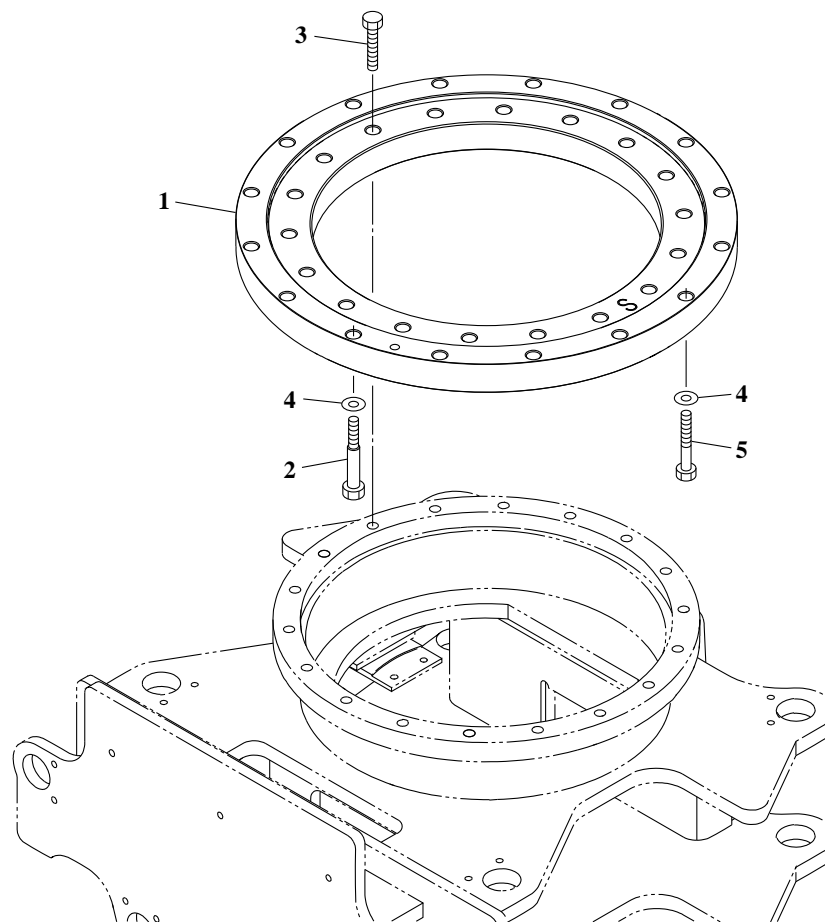
X7A060

S=1/5

TRAVEL DEVICE

| Item List | | | | | | | |
|---|-------------|------|---------------|------|---------|---------------|--------------|
| Item | Part Number | Lev. | Description | Q'ty | Compat. | Serial Number | Mod. Remarks |
| 1 | 19031-15300 | | MOTOR, travel | 2 | | 22001~22132 | |
| 1 | 19031-31400 | | MOTOR, travel | 2 | (H) | 22133~ | see note |
| 2 | 03316-10100 | | SPROCKET | 2 | | | |
| 3 | 11002-41020 | | BOLT | 16 | | 22001~22132 | |
| 3 | 11100-51020 | | SCREW, cap | 16 | | 22133~ | |
| 4 | 11100-41025 | | SCREW, cap | 18 | | | |
| 5 | 15156-00200 | | ADAPTOR | 4 | | 22001~22132 | |
| 5-1 | 14200-10110 | . | O-RING | 1 | | | |
| 5 | 15156-00576 | | ADAPTOR | 4 | | 22133~ | |
| 5-1 | 14200-10140 | . | O-RING | 1 | | | |
| Notes | | | | | | | |
| Compatible with old and new left and right sets | | | | | | | |

SLEW BEARING



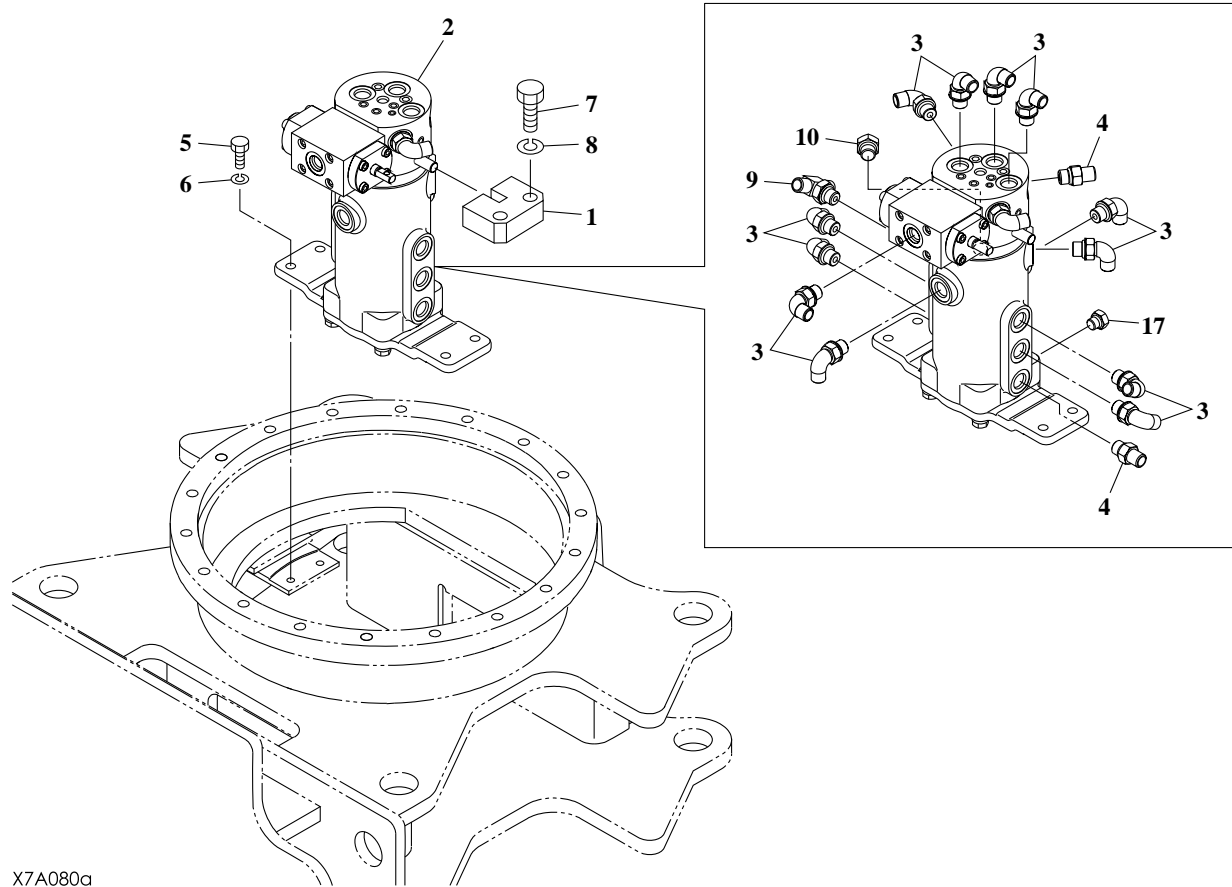
X7A070

S=1/6

SLEW BEARING

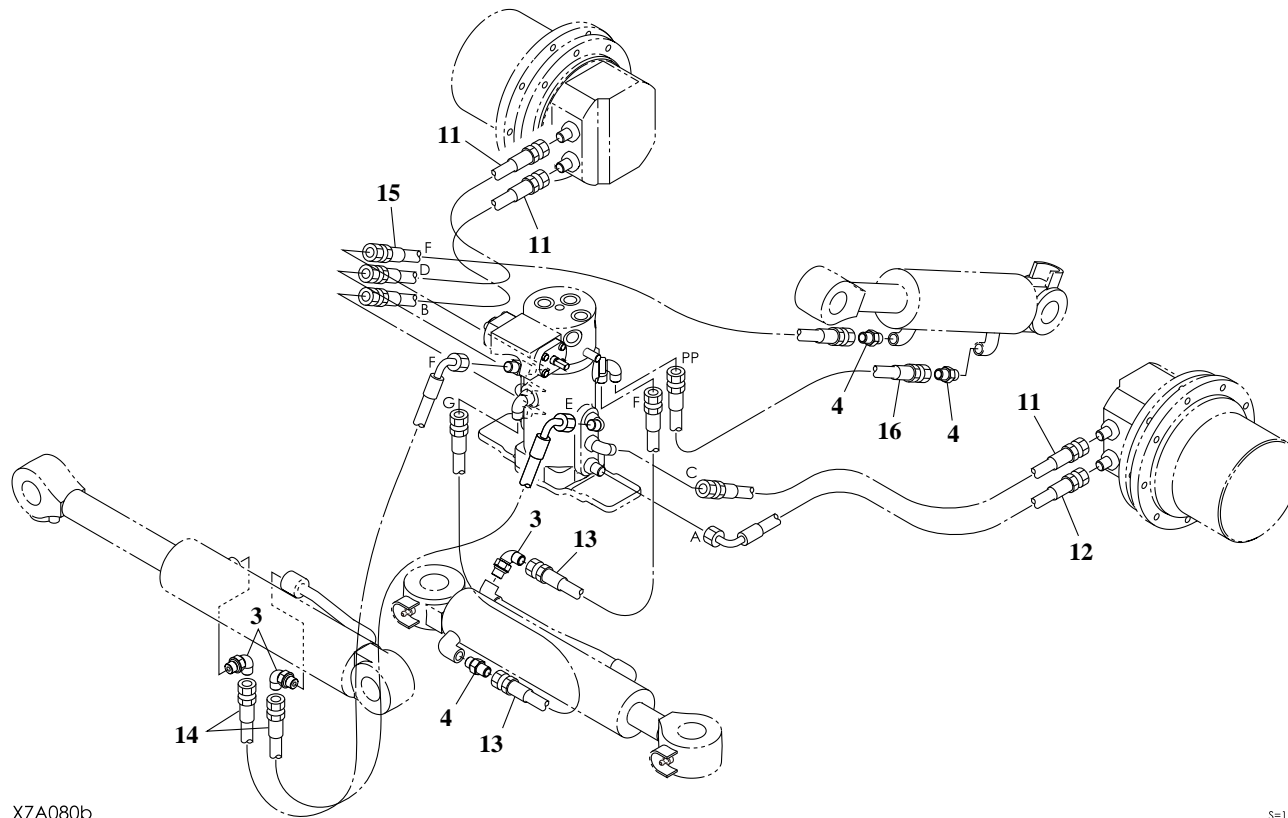
| Item List | | | | | | | | |
|-----------|-------------|------|-------------|------|---------|---------------|------|---------|
| Item | Part Number | Lev. | Description | Q'ty | Compat. | Serial Number | Mod. | Remarks |
| 1 | 19130-03950 | | BEARING | 1 | | | | |
| 2 | 04220-11100 | | BOLT | 1 | | | | |
| 3 | 11010-51250 | | BOLT | 18 | | | | |
| 4 | 11415-40012 | | WASHER | 16 | | | | |
| 5 | 11010-51270 | | BOLT | 15 | | | | |

SWIVEL JOINT & ACCESSORIES



X7A080a

S=1/6



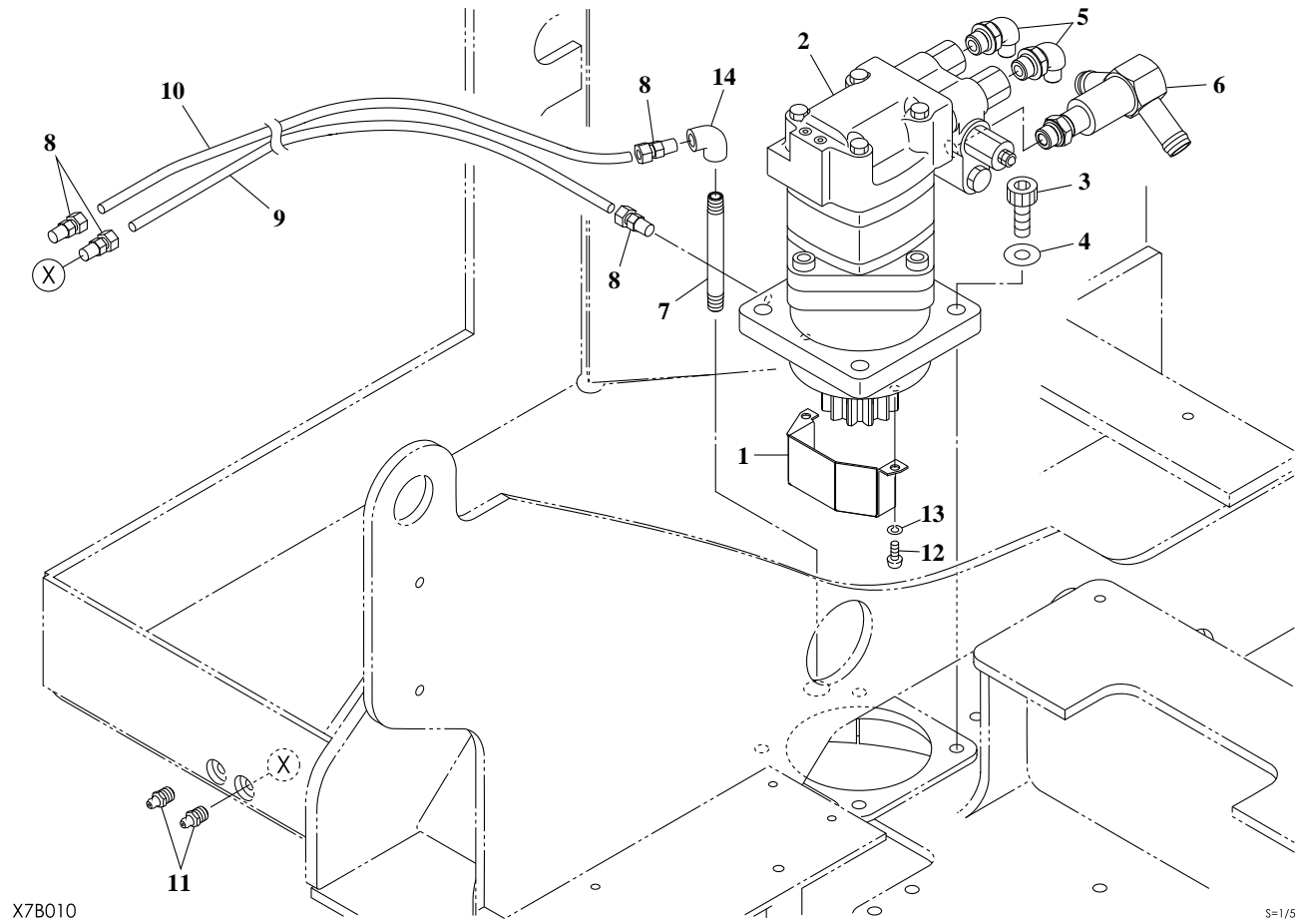
X7A080b

S=1/8

SWIVEL JOINT & ACCESSORIES

| Item List | | | | | | | | |
|-----------|-------------|------|---------------------|------|---------|---------------|------|---------|
| Item | Part Number | Lev. | Description | Q'ty | Compat. | Serial Number | Mod. | Remarks |
| 1 | 04221-10100 | | STOPER, rotation | 1 | | | | |
| 2 | 19040-07100 | | JOINT, swivel | 1 | | | | |
| 3 | 15150-12040 | | 90Elbow with Washer | 15 | | | | |
| 3-1 | 14200-10110 | . | O-RING | 1 | | | | |
| 4 | 15156-00200 | | ADAPTOR | 5 | | | | |
| 4-1 | 14200-10110 | . | O-RING | 1 | | | | |
| 5 | 11000-40820 | | BOLT | 4 | | | | |
| 6 | 11400-20008 | | WASHER, spring | 4 | | | | |
| 7 | 11010-41235 | | BOLT | 2 | | | | |
| 8 | 11400-20012 | | WASHER | 2 | | | | |
| 9 | 15123-70010 | | ADAPTOR | 1 | | | | |
| 9-1 | 14200-10110 | . | O-RING | 1 | | | | |
| 10 | 15017-50002 | | Hexagon Head Plug | 1 | | | | |
| 10-1 | 14200-10110 | . | O-RING | 1 | | | | |
| 11 | 18016-00062 | | HOSE, hydraulic | 3 | | | | |
| 12 | 18016-01065 | | HOSE, hydraulic | 1 | | | | |
| 13 | 18015-00038 | | HOSE, hydraulic | 2 | | | | |
| 14 | 18015-01050 | | HOSE, hydraulic | 2 | | | | |
| 15 | 18015-00050 | | HOSE, hydraulic | 1 | | | | |
| 16 | 18015-00067 | | HOSE, hydraulic | 1 | | | | |
| 17 | 15018-10001 | | PLUG | 1 | | | | |

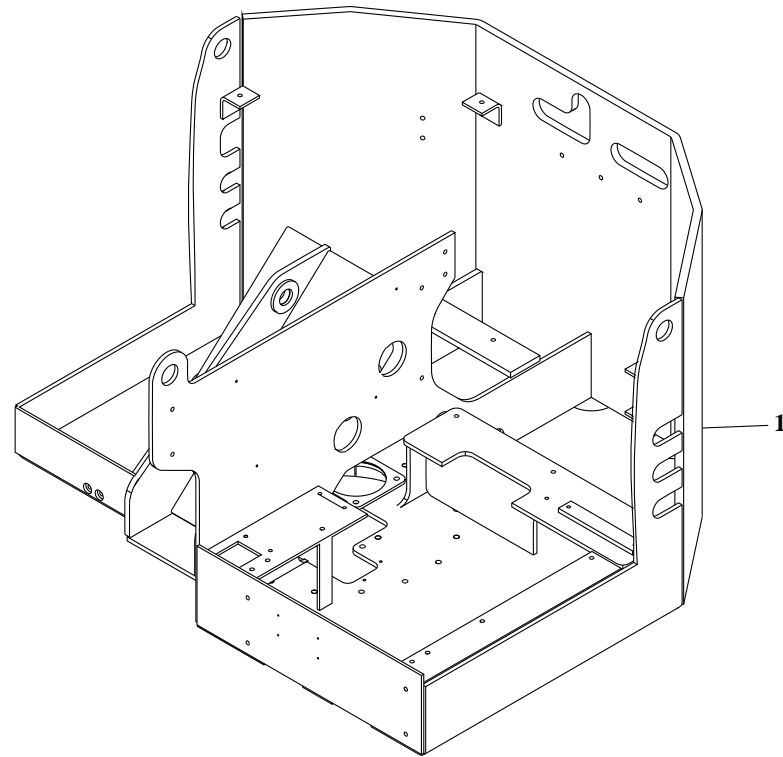
SLEWING DEVICE



SLEWING DEVICE

| Item List | | | | | | | |
|-----------|-------------|------|-----------------|------|---------|---------------|-------------------|
| Item | Part Number | Lev. | Description | Q'ty | Compat. | Serial Number | Mod. Remarks |
| 1 | 00523-30200 | | COVER | 1 | | | |
| 2 | 19031-15200 | | MOTOR, slew | 1 | | | |
| 3 | 11100-41235 | | SCREW, cap | 4 | | | |
| 4 | 00039-00036 | | WASHER | 4 | | | |
| 5 | 15150-10050 | | ELBOW | 2 | | | |
| 5-1 | 14200-10140 | . | O-RING | 1 | | | |
| 6 | 04170-02400 | | ADAPTOR | 1 | | 22001~22016 | |
| 6 | 00523-25200 | | ADAPTOR | 1 | | 22017~ | |
| 6-1 | 14200-10140 | . | O-RING | 1 | | | |
| 7 | 00091-01090 | | CONNECTOR, pipe | 1 | | | |
| 8 | 15325-20601 | | ADAPTOR | 4 | | | |
| 9 | 15321-20645 | | TUBE | 1 | | | sold by the meter |
| 10 | 15321-20648 | | TUBE | 1 | | | sold by the meter |
| 11 | 15600-01000 | | ADAPTOR | 2 | | | |
| 12 | 11100-40610 | | SCREW, cap | 2 | | | |
| 13 | 11400-20006 | | Spring Washer | 2 | | | |
| 14 | 15080-10001 | | ELBOW | 1 | | | |

TURNTABLE



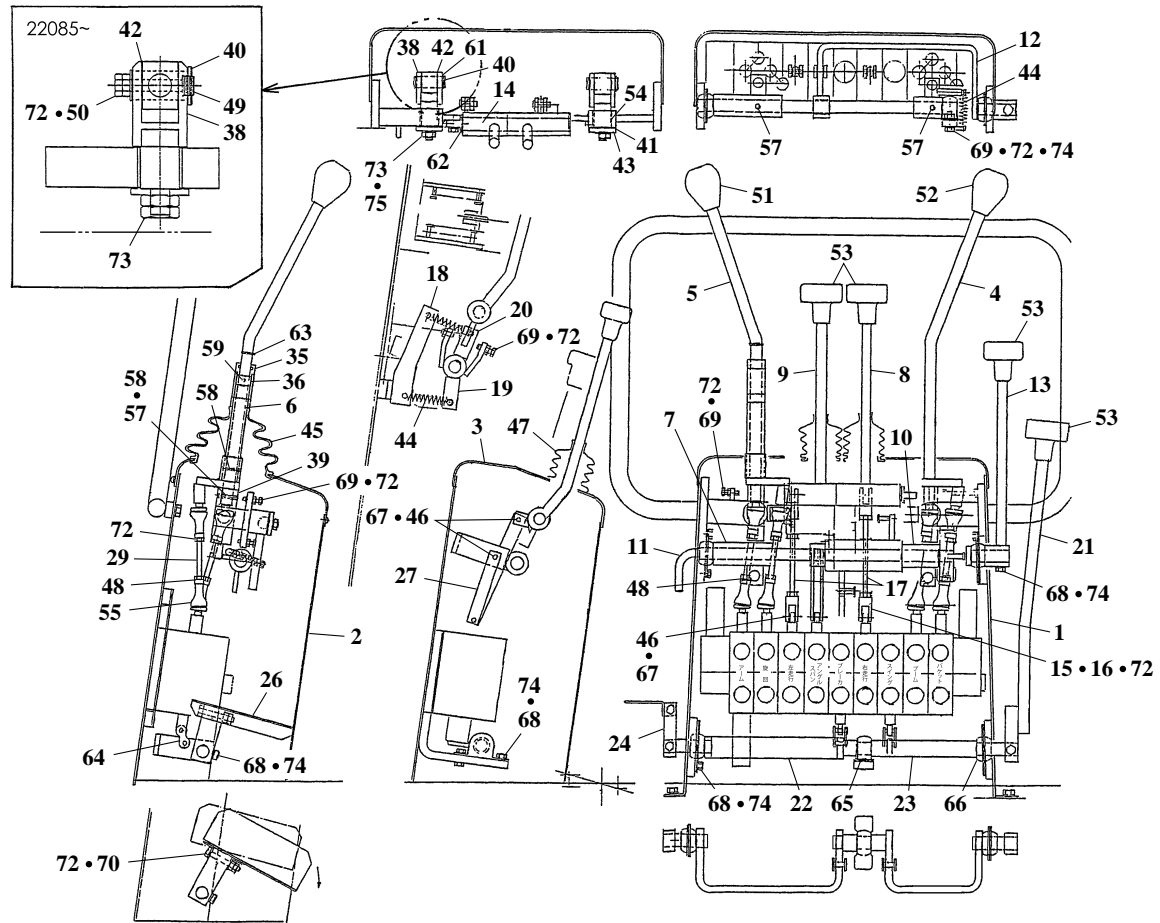
X7B020

S=1/12

TURNTABLE

| Item List | | | | | | | | |
|-----------|-------------|------|--------------|------|---------|---------------|------|---------|
| Item | Part Number | Lev. | Description | Q'ty | Compat. | Serial Number | Mod. | Remarks |
| 1 | *****_***** | | NOT FOR SALE | 1 | | | | |

CONTROL LEVER (22001-22089)



X7B030-1

S=free

CONTROL LEVER(22001-22089)

| Item List | | | | | | | | |
|-----------|-------------|------|--------------|------|---------|---------------|------|---------|
| Item | Part Number | Lev. | Description | Q'ty | Compat. | Serial Number | Mod. | Remarks |
| 1 | 00532-32100 | | LEVER STAND | 1 | | | | |
| 2 | 00532-28200 | | COVER | 1 | | | | |
| 3 | 00532-28300 | | COVER | 1 | | | | |
| 4 | 00532-32200 | | LEVER (R.H.) | 1 | | | | |
| 5 | 04132-04550 | | LEVER | 1 | | | | |
| 6 | 03232-53300 | | LEVER | 1 | | | | |
| 7 | 04132-08070 | | LEVER | 1 | | | | |
| 8 | 00532-28400 | | LEVER (R.H.) | 1 | | | | |
| 9 | 00532-28500 | | LEVER (L.H.) | 1 | | | | |
| 10 | 04132-08010 | | LEVER | 1 | | | | |
| 11 | 04132-05150 | | SHAFT, lever | 1 | | | | |
| 12 | 04132-05250 | | LEVER | 1 | | | | |
| 13 | 00532-32300 | | LEVER (R.H.) | 1 | | | | |
| 14 | 03232-50500 | | SHAFT, lever | 1 | | | | |
| 15 | 00056-00003 | | YOKE | 2 | | | | |
| 16 | 00055-00006 | | YOKE | 2 | | | | |
| 17 | 00050-06130 | | ROD | 2 | | | | |
| 18 | 00532-28600 | | BRACKET | 1 | | | | |
| 19 | 00532-28700 | | LEVER | 1 | | | | |
| 20 | 00532-28800 | | LEVER | 1 | | | | |
| 21 | 00532-29100 | | LEVER | 1 | | | | |
| 22 | 04132-06250 | | LEVER | 1 | | | | |
| 23 | 00532-28900 | | LEVER | 1 | | | | |
| 24 | 04132-06400 | | LEVER | 1 | | | | |
| 26 | 03232-53500 | | PEDAL | 1 | | | | |
| 27 | 04132-06700 | | YOKE | 1 | | | | |
| 29 | 04132-06900 | | ROD | 4 | | | | |

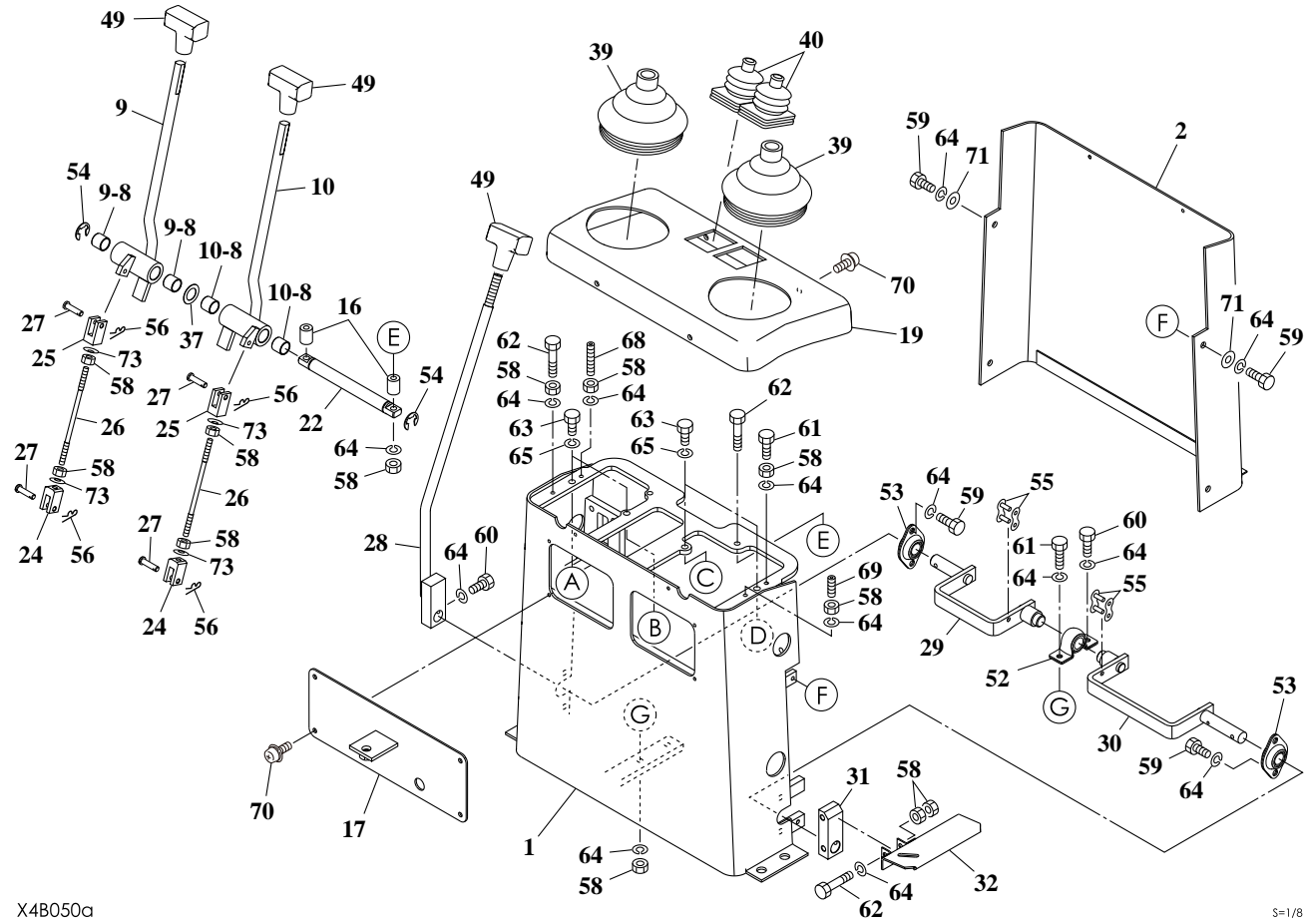
CONTROL LEVER (22001-22089)

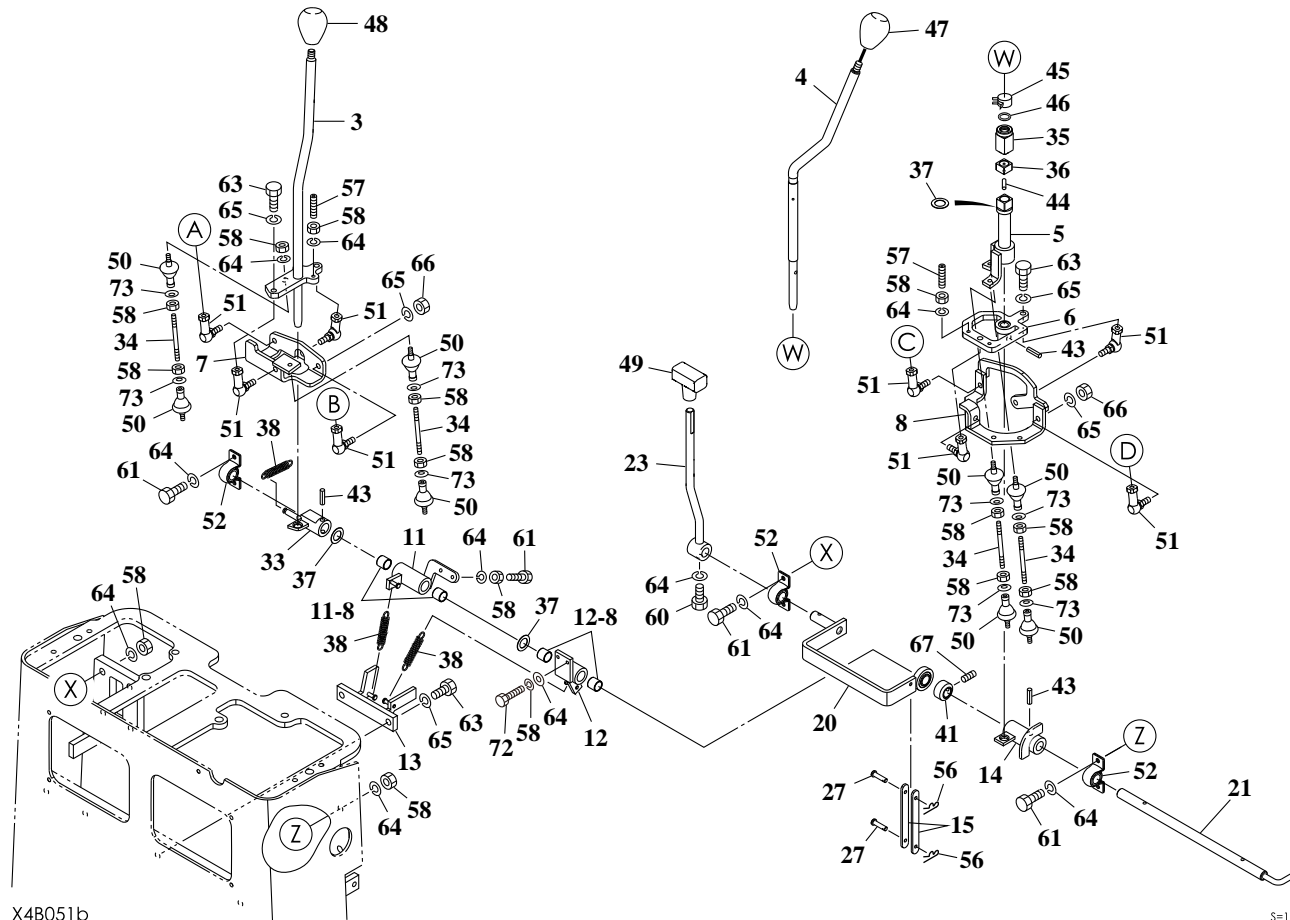
| | | | | | | |
|----|-------------|--|-----------------|----|-------------|--|
| 35 | 04132-08650 | | SLEEVE | 1 | | |
| 36 | 04332-08410 | | SLEEVE | 1 | | |
| 38 | 04132-03200 | | ARM | 2 | | |
| 39 | 04132-08030 | | LEVER | 2 | | |
| 40 | 00042-15028 | | SHAFT, lever | 2 | 22001~22084 | |
| 40 | 00532-32400 | | SHAFT, lever | 2 | 22085~ | |
| 41 | 00932-08300 | | WASHER | 4 | | |
| 42 | 00632-48900 | | WASHER, thrust | 1 | | |
| 43 | 00036-00025 | | WASHER | 2 | | |
| 44 | 01432-83500 | | SPRING | 3 | | |
| 45 | 00632-48800 | | BOOT | 2 | | |
| 46 | 00040-05117 | | PIN | 6 | | |
| 47 | 03632-14700 | | PROTECTOR | 2 | | |
| 48 | 12250-00006 | | WASHER | 12 | 22085~ | |
| 49 | 11100-40635 | | SCREW, cap | 1 | 22085~ | |
| 50 | 00036-00110 | | SHIM | 1 | 22085~ | |
| 51 | 16502-00120 | | GRIP | 1 | | |
| 52 | 16502-00220 | | GRIP | 1 | | |
| 53 | 16502-00520 | | GRIP | 4 | | |
| 54 | 13330-02020 | | BUSHING | 2 | | |
| 55 | 13403-00060 | | END, rod | 8 | | |
| 56 | 11210-50630 | | SET-SCREW | 1 | | |
| 57 | 12130-10520 | | PIN, spring | 4 | | |
| 58 | 12130-10324 | | PIN, spring | 2 | | |
| 59 | 12130-10320 | | PIN, spring | 1 | | |
| 61 | 12200-00015 | | RING, retaining | 4 | 22001~22084 | |
| 62 | 12240-10012 | | RING, retaining | 2 | | |
| 63 | 15331-10013 | | BAND | 1 | | |
| 64 | 16200-50000 | | ROLLER CHAIN | 1 | | |

CONTROL LEVER (22001-22089)

| | | | | | | |
|----|-------------|--|-----------------|----|-------------|--|
| 65 | 13320-01518 | | MINI-PILLOW | 2 | | |
| 66 | 13320-51518 | | MINI-PILLOW | 4 | | |
| 67 | 12140-00005 | | PIN, snap | 6 | | |
| 68 | 11000-40616 | | BOLT | 18 | | |
| 69 | 11000-40620 | | BOLT | 10 | | |
| 70 | 11000-40640 | | BOLT | 1 | | |
| 71 | 11000-41016 | | BOLT | 2 | | |
| 72 | 11300-40006 | | NUT | 13 | 22001~22084 | |
| 72 | 11300-40006 | | NUT | 17 | 22085~ | |
| 73 | 11300-40010 | | NUT | 2 | 22001~22084 | |
| 73 | 11300-40010 | | NUT | 4 | 22085~ | |
| 74 | 11400-20006 | | Spring Washer | 18 | | |
| 75 | 11400-20010 | | HARNESS, wiring | 2 | | |

CONTROL LEVER (22090-)





X4B051b

S=1/8

CONTROL LEVER(22090-)

| Item List | | | | | | | |
|-----------|-------------|------|--------------|------|---------|---------------|--------------|
| Item | Part Number | Lev. | Description | Q'ty | Compat. | Serial Number | Mod. Remarks |
| 1 | 00532-40100 | | STAND, lever | 1 | | | |
| 2 | 00532-40150 | | COVER | 1 | | | |
| 3 | 00532-40160 | | LEVER (R.H.) | 1 | | | |
| 4 | 00532-40170 | | LEVER (L.H.) | 1 | | | |
| 5 | 00532-40180 | | LEVER | 1 | | | |
| 6 | 00532-40190 | | FLANGE | 1 | | | |
| 7 | 00532-40200 | | BRACKET | 1 | | | |
| 8 | 00532-40210 | | BRACKET | 1 | | | |
| 9 | 00532-40220 | | LEVER | 1 | | | Right |
| 9-8 | 13330-01515 | . | BUSHING | 2 | | | |
| 10 | 00532-40240 | | LEVER | 1 | | | Left |
| 10-8 | 13330-01515 | . | BUSHING | 2 | | | |
| 11 | 00532-40260 | | LEVER | 1 | | | |
| 11-8 | 13330-01515 | . | BUSHING | 2 | | | |
| 12 | 00532-40280 | | LEVER | 1 | | | |
| 12-8 | 13330-01515 | . | BUSHING | 2 | | | |
| 13 | 00532-40300 | | STOPPER | 1 | | | |
| 14 | 00532-40310 | | LEVER | 1 | | | |
| 15 | 00532-40320 | | PLATE | 2 | | | |
| 16 | 00532-40330 | | COLLAR | 2 | | | |
| 17 | 00532-40350 | | COVER | 1 | | | |
| 19 | 00532-28300 | | COVER | 1 | | | |
| 20 | 00532-40400 | | LEVER | 1 | | | |
| 21 | 04132-05150 | | SHAFT, lever | 1 | | | |
| 22 | 00532-40340 | | SHAFT, lever | 1 | | | |
| 23 | 04132-05350 | | LEVER | 1 | | | |
| 24 | 00056-00003 | | YOKE | 2 | | | |

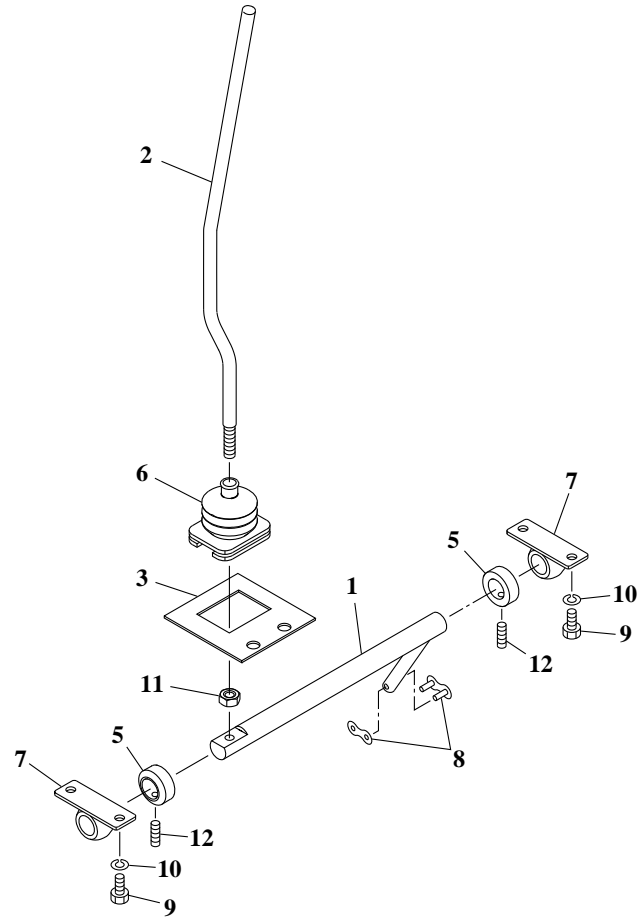
CONTROL LEVER (22090-)

| | | | | | | | |
|----|-------------|--|-----------------|---|--|--|---------|
| 25 | 00055-00006 | | YOKE | 2 | | | |
| 26 | 00050-06130 | | ROD | 2 | | | |
| 27 | 00040-05117 | | PIN | 6 | | | |
| 28 | 00532-29100 | | LEVER | 1 | | | |
| 29 | 00532-28900 | | LEVER | 1 | | | |
| 30 | 04132-06250 | | LEVER | 1 | | | service |
| 31 | 04132-06400 | | LEVER | 1 | | | |
| 32 | 04132-06650 | | PEDAL | 1 | | | |
| 33 | 00532-40500 | | LEVER | 1 | | | |
| 34 | 04132-06900 | | ROD | 4 | | | |
| 35 | 04132-08650 | | SLEEVE | 1 | | | |
| 36 | 04332-08410 | | SLEEVE | 1 | | | |
| 37 | 00832-52100 | | WASHER | 4 | | | |
| 38 | 01432-83500 | | SPRING | 3 | | | |
| 39 | 00632-48800 | | BOOT | 2 | | | |
| 40 | 03632-14700 | | PROTECTOR | 2 | | | |
| 41 | 01632-08200 | | STOPPER | 1 | | | |
| 43 | 12130-10520 | | PIN, spring | 3 | | | |
| 44 | 12130-10320 | | PIN, spring | 1 | | | |
| 45 | 15331-10013 | | BAND | 1 | | | |
| 46 | 14200-10140 | | O-RING | 1 | | | |
| 47 | 16502-00120 | | GRIP | 1 | | | |
| 48 | 16502-00220 | | GRIP | 1 | | | |
| 49 | 16502-00520 | | GRIP | 4 | | | |
| 50 | 13403-00060 | | END, rod | 8 | | | |
| 51 | 13400-10080 | | END, rod | 8 | | | |
| 52 | 13320-01518 | | MINI-PILLOW | 4 | | | |
| 53 | 13320-51518 | | MINI-PILLOW | 2 | | | |
| 54 | 12240-10012 | | RING, retaining | 2 | | | |

CONTROL LEVER (22090-)

| | | | | | |
|----|-------------|----------------|----|--|--|
| 55 | 16200-50000 | ROLLER CHAIN | 2 | | |
| 56 | 12140-00005 | PIN, snap | 6 | | |
| 57 | 11210-50630 | SET-SCREW | 4 | | |
| 58 | 11300-40006 | NUT | 40 | | |
| 59 | 11000-40612 | Bolt | 8 | | |
| 60 | 11000-40616 | BOLT | 3 | | |
| 61 | 11000-40620 | BOLT | 9 | | |
| 62 | 11000-40640 | BOLT | 4 | | |
| 63 | 11000-40816 | Bolt | 10 | | |
| 64 | 11400-20006 | Spring Washer | 45 | | |
| 65 | 11400-20008 | WASHER, spring | 18 | | |
| 66 | 11300-40008 | NUT | 8 | | |
| 67 | 11210-50610 | SCREW, set | 1 | | |
| 68 | 11210-50640 | SET-SCREW | 1 | | |
| 69 | 11210-50620 | SET-SCREW | 1 | | |
| 70 | 11504-20510 | BOLT, sems | 8 | | |
| 71 | 11411-90006 | WASHER | 4 | | |
| 72 | 11000-40630 | BOLT | 2 | | |
| 73 | 12250-00006 | WASHER | 12 | | |

SELECT LEVER

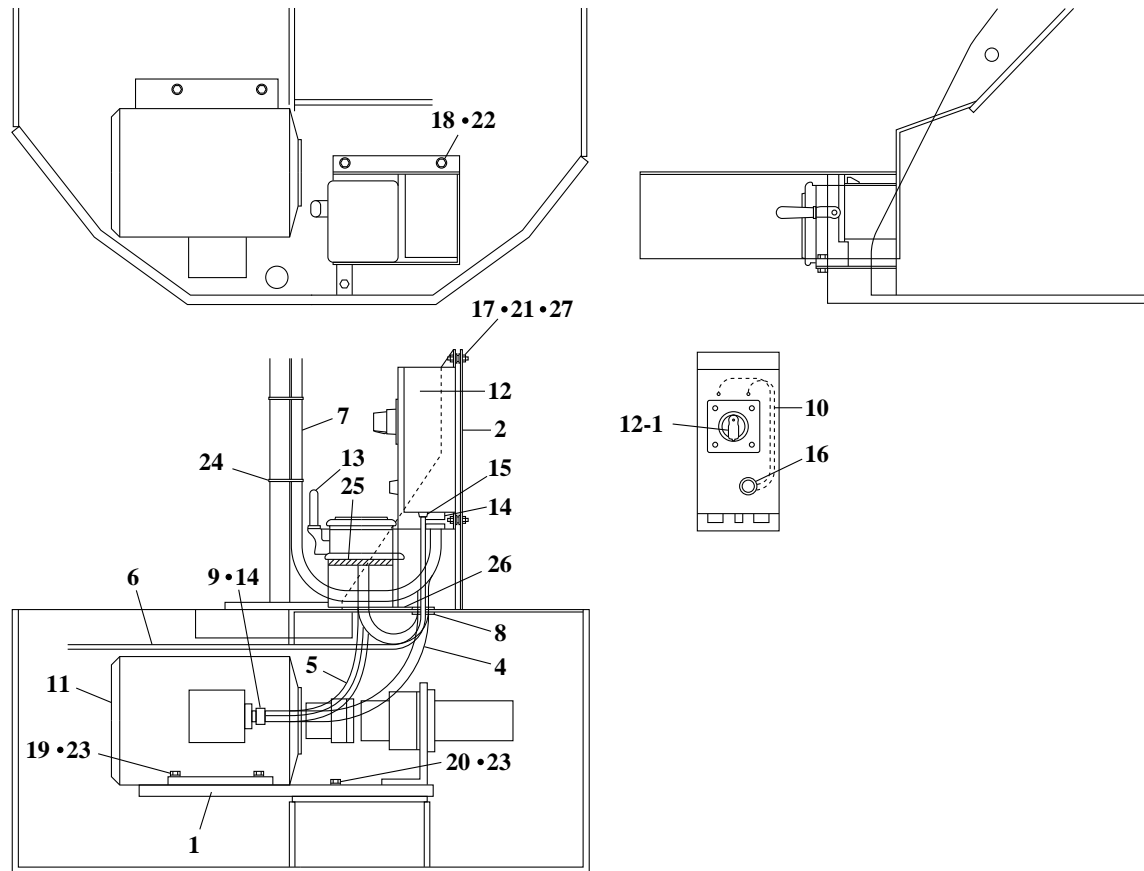


X4B060

S=1/6

SELECT LEVER

| Item List | | | | | | | | |
|-----------|-------------|------|----------------|------|---------|---------------|------|---------|
| Item | Part Number | Lev. | Description | Q'ty | Compat. | Serial Number | Mod. | Remarks |
| 1 | 00532-34100 | | LEVER | 1 | | | | |
| 2 | 00532-31200 | | LEVER | 1 | | | | |
| 3 | 00532-31300 | | PLATE | 1 | | | | |
| 5 | 01632-09400 | | STOPPER | 2 | | | | |
| 6 | 03632-14700 | | PROTECTOR | 1 | | | | |
| 7 | 13320-02022 | | MINI, pillow | 2 | | | | |
| 8 | 16200-50000 | | ROLLER CHAIN | 1 | | | | |
| 9 | 11000-40816 | | Bolt | 4 | | | | |
| 10 | 11400-20008 | | WASHER, spring | 4 | | | | |
| 11 | 11300-40010 | | NUT | 1 | | | | |
| 12 | 11210-40808 | | SCREW, set | 2 | | | | |



X7C010

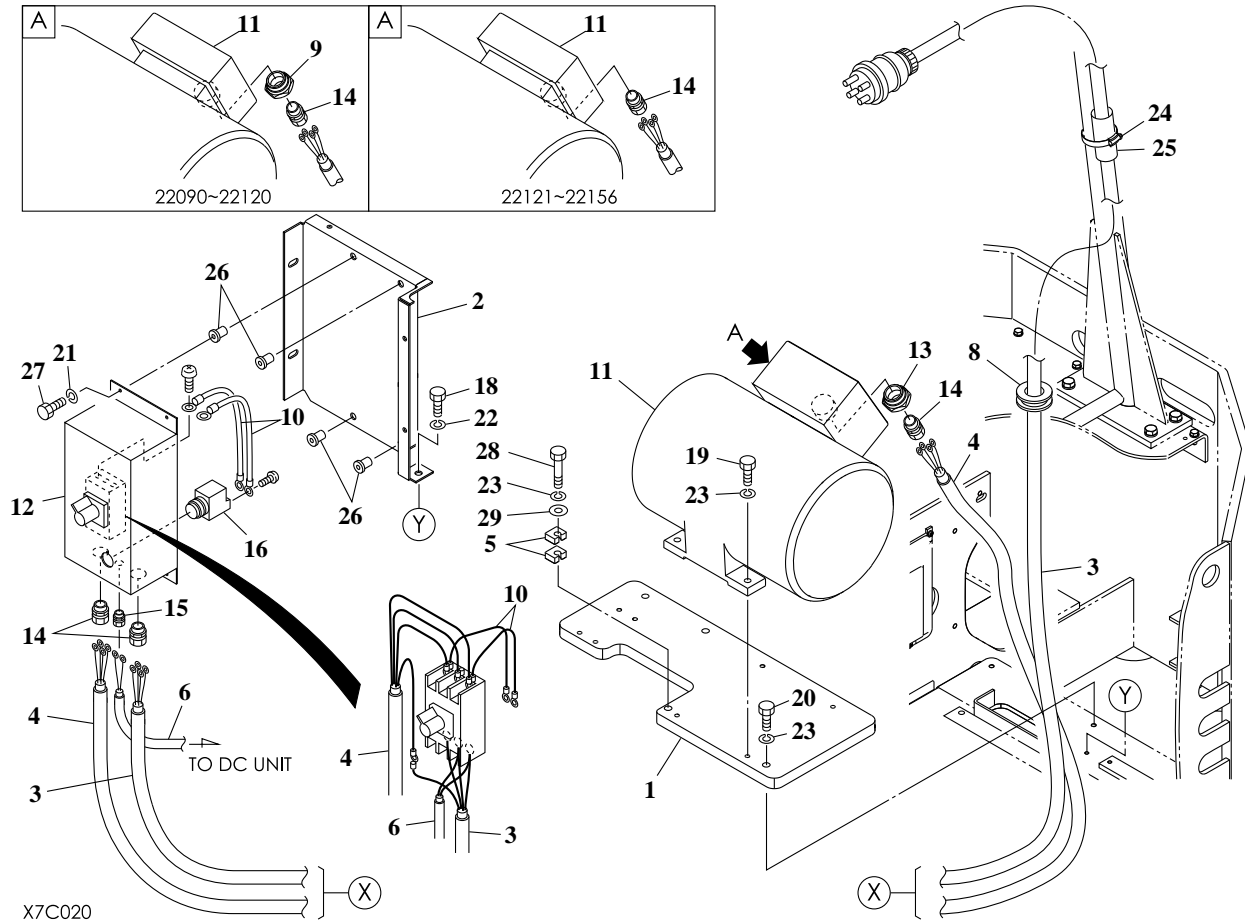
S=free

MOTOR(22001-22089)

| Item List | | | | | | | | |
|-----------|-------------|------|-----------------|------|---------|---------------|------|---------------|
| Item | Part Number | Lev. | Description | Q'ty | Compat. | Serial Number | Mod. | Remarks |
| 1 | 00540-30100 | | PLATE | 1 | | | | |
| 2 | 00540-31200 | | BRACKET | 1 | | 22001~22016 | | |
| 2 | 00540-31300 | | BRACKET | 1 | | 22017~ | | |
| 4 | 00540-30300 | | CABLE | 1 | | 22001~22016 | | |
| 4 | 08505-54700 | | CABLE | 1 | | 22017~ | | |
| 5 | 08501-14158 | | CABLE | 2 | | | | |
| 6 | 00540-24200 | | CABLE | 1 | | 22001~22019 | | |
| 6 | 00540-30300 | | CABLE | 1 | | 22020~ | | |
| 7 | 00540-24300 | | CABLE ASSY | 1 | | | | |
| 8 | 08502-40300 | | GROMMET | 1 | | | | |
| 9 | 05342-00100 | | BUSHING | 1 | | | | |
| 10 | 00540-24500 | | WIRE | 2 | | 22017~ | | |
| 11 | 17114-64075 | | MOTOR | 1 | | | | |
| 12 | 17112-28032 | | BREAKER | 1 | | 22001~22016 | | |
| 12 | 17112-28132 | | BREAKER | 1 | | 22017~ | | |
| 12-1 | 19039-00209 | | HANDLE | 1 | | | | FESF547-91-41 |
| 13 | 17112-30021 | | BREAKER | 1 | | 22001~22016 | | |
| 13 | 17112-30011 | | BREAKER | 1 | | | | |
| 14 | 17200-50110 | | CONNECTOR | 3 | | | | |
| 15 | 17200-50204 | | CONNECTOR | 1 | | | | |
| 16 | 17005-61261 | | LAMP, pilot | 1 | | 22017~ | | |
| 17 | 11000-40616 | | BOLT | 8 | | 22001~22089 | | |
| 17 | 16510-14002 | | RUBBER, cushion | 4 | | 22090~ | | |
| 18 | 11000-40816 | | Bolt | 4 | | | | |
| 19 | 11000-41035 | | BOLT | 4 | | | | |
| 20 | 11000-41040 | | BOLT | 4 | | | | |
| 21 | 11400-20006 | | Spring Washer | 8 | | | | |

MOTOR (22001-22089)

| | | | | | | |
|----|-------------|--|-----------------|---|--------|--|
| 22 | 11400-20008 | | WASHER, spring | 4 | | |
| 23 | 11400-20010 | | HARNESS, wiring | 8 | | |
| 24 | 16522-00005 | | BAND | 3 | 22017~ | |
| 25 | 00540-24600 | | PLATE | 1 | | |
| 26 | 00540-31400 | | PLATE | 1 | 22017~ | |
| 27 | 11300-40006 | | NUT | 8 | 22090~ | |



MOTOR(22090-)

| Item List | | | | | | | | |
|-----------|-------------|------|----------------|------|---------|---------------|------|-------------------|
| Item | Part Number | Lev. | Description | Q'ty | Compat. | Serial Number | Mod. | Remarks |
| 1 | 00540-33100 | | PLATE | 1 | A | 22090~22156 | | |
| 1 | 00540-00001 | | PLATE | 1 | a | 22157~ | | |
| 2 | 00540-33200 | | BRACKET | 1 | | | | |
| 3 | 00540-33300 | | CABLE | 1 | | | | |
| 4 | 08505-54700 | | CABLE | 1 | | 22090~22170 | | |
| 4 | 00540-00006 | | CABLE | 1 | | 22171~ | | |
| 5 | 00540-33500 | | WASHER | 2 | | 22121~ | | |
| 6 | 00540-30300 | | CABLE | 1 | | | | |
| 8 | 08502-40300 | | GROMMET | 1 | | | | |
| 9 | 05342-00100 | | BUSHING | 1 | | 22090~22120 | | |
| 10 | 00540-24500 | | WIRE | 2 | | | | |
| 11 | 17114-64075 | | MOTOR | 1 | | 22090~22120 | | |
| 11 | 17114-90003 | | MOTOR | 1 | A | 22121~22156 | | |
| 11 | 17114-90005 | | MOTOR | 1 | a | 22157~ | | |
| 12 | 17112-28132 | | BREAKER | 1 | | | | |
| 13 | 05342-00100 | | BUSHING | 1 | | 22171~ | | |
| 14 | 17200-50110 | | CONNECTOR | 3 | | | | |
| 15 | 17200-50204 | | CONNECTOR | 1 | | | | |
| 16 | 17005-61271 | | LAMP, pilot | 1 | | | | |
| 18 | 11000-40816 | | Bolt | 3 | | | | |
| 19 | 11000-41035 | | BOLT | 4 | | | | |
| 20 | 11000-41040 | | BOLT | 3 | | | | |
| 21 | 11400-20006 | | Spring Washer | 4 | | | | |
| 22 | 11400-20008 | | WASHER, spring | 3 | | | | |
| 23 | 11400-20010 | | HARNES, wiring | 8 | | | | |
| 24 | 15337-00071 | | BAND | 3 | | | | |
| 25 | 15305-25010 | | HOSE | 3 | | | | sold by the meter |

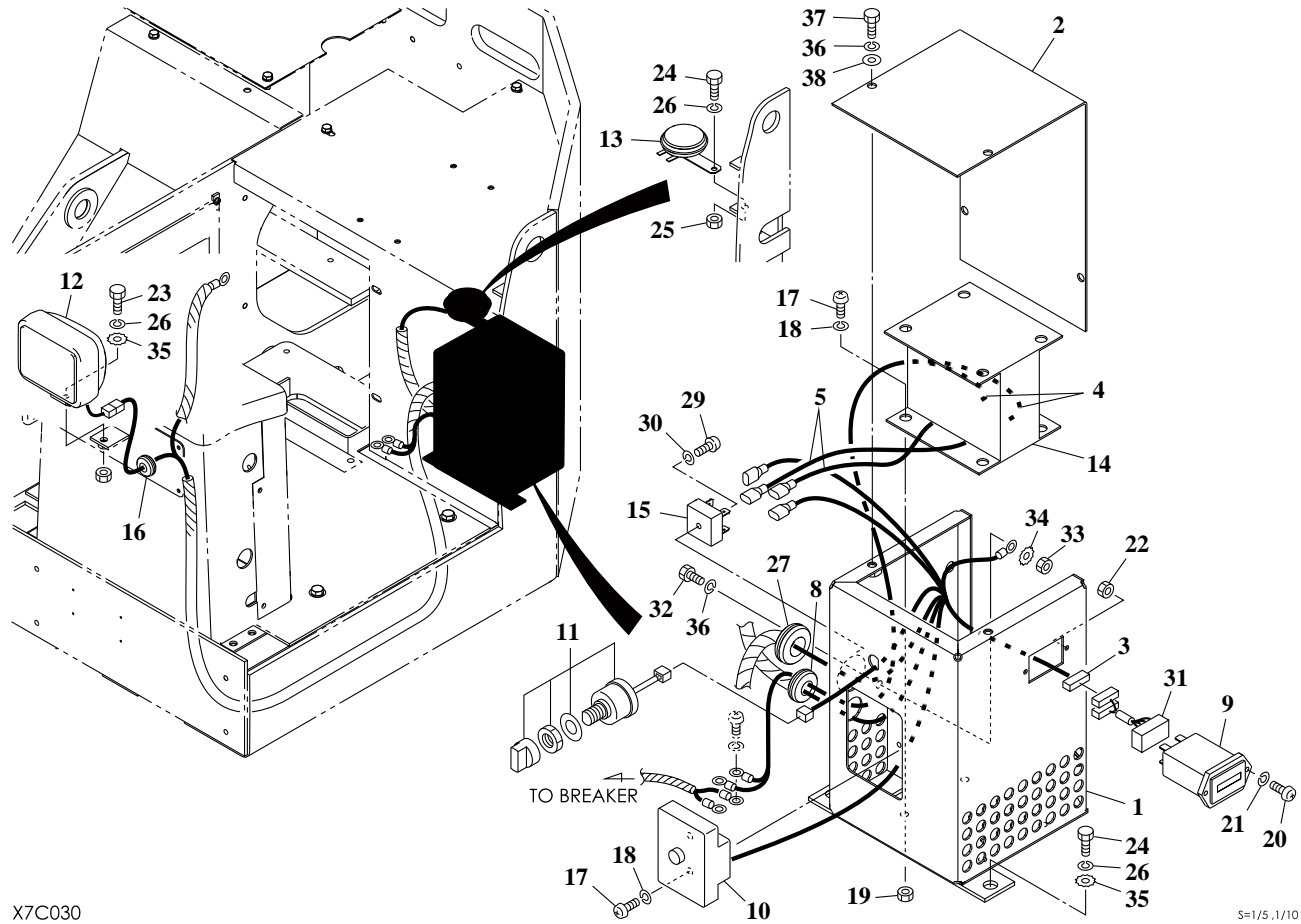
MOTOR (22090-)

| | | | | | | | |
|----|-------------|--|--------|---|--|--------|--|
| 26 | 16525-20006 | | NUT | 4 | | | |
| 27 | 11000-40625 | | BOLT | 4 | | | |
| 28 | 11000-41065 | | BOLT | 1 | | 22121~ | |
| 29 | 11411-10010 | | WASHER | 1 | | 22121~ | |

Notes

SET "A" is interchangeable with SET "a".

D.C. UNIT



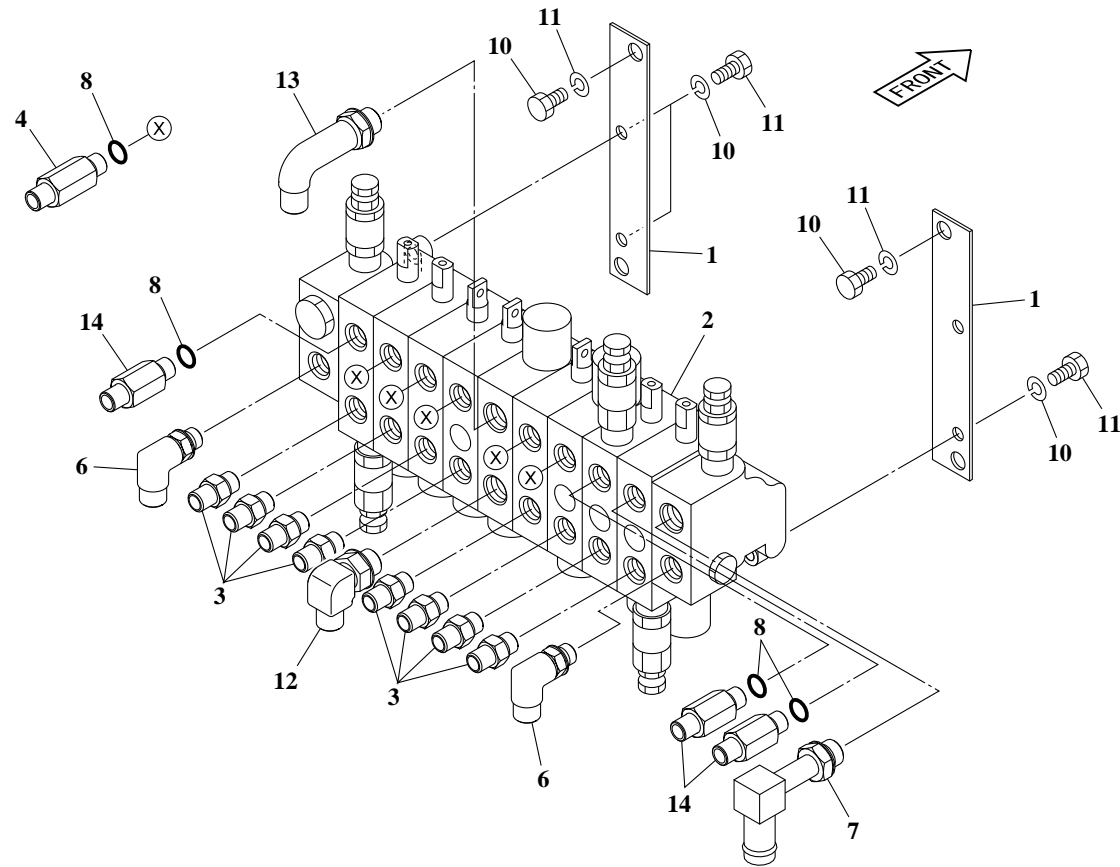
D.C. UNIT

| Item List | | | | | | | | |
|-----------|-------------|------|-----------------|------|---------|---------------|------|---------|
| Item | Part Number | Lev. | Description | Q'ty | Compat. | Serial Number | Mod. | Remarks |
| 1 | 00543-22100 | | BOX | 1 | | | | |
| 2 | 00543-22200 | | COVER | 1 | | | | |
| 3 | 00543-22300 | | HARNESS, wiring | 1 | | | | |
| 4 | 00543-22400 | | WIRE | 2 | | | | |
| 5 | 00543-22500 | | WIRE | 2 | | | | |
| 8 | 16520-01202 | | GROMMET | 1 | | | | |
| 9 | 17300-00300 | | METER, hour | 1 | | | | |
| 10 | 17012-00100 | | BOX, fuse | 1 | | | | |
| 11 | 17010-00600 | | SWITCH | 1 | | 22001~22089 | | |
| 11 | 17000-00010 | | SWITCH, lamp | 1 | (H) | 22090~ | | |
| 12 | 17030-03600 | | LAMP ASSY | 1 | | | | |
| 13 | 17035-00712 | | HORN | 1 | | 22001~22147 | | |
| 13 | 17035-00713 | | HORN | 1 | | 22148~ | | |
| 14 | 17119-00014 | | TRANSFORMER | 1 | | | | |
| 15 | 17119-00015 | | DIODE | 1 | | | | |
| 16 | 16520-01002 | | GROMMET | 1 | | | | |
| 17 | 11205-30516 | | SCREW | 7 | | 22001~22074 | | |
| 17 | 11205-30516 | | SCREW | 6 | | 22075~22137 | | |
| 18 | 11400-20005 | | WASHER, spring | 7 | | 22001~22074 | | |
| 18 | 11400-20005 | | WASHER, spring | 6 | | 22075~ | | |
| 19 | 11300-30005 | | NUT | 4 | | | | |
| 20 | 11205-30312 | | SCREW | 2 | | | | |
| 21 | 11400-20003 | | WASHER, spring | 2 | | | | |
| 22 | 11300-30003 | | NUT | 2 | | | | |
| 23 | 11000-40816 | | Bolt | 1 | | | | |
| 24 | 11000-40820 | | BOLT | 3 | | | | |
| 25 | 11300-40008 | | NUT | 1 | | | | |

D.C. UNIT

| | | | | | |
|----|-------------|--------------------------|---|--------|--|
| 26 | 11400-20008 | WASHER, spring | 4 | | |
| 27 | 16520-01602 | GROMMET | 1 | | |
| 29 | 11205-30416 | SCREW | 1 | 22075~ | |
| 30 | 11400-20004 | WASHER, spring | 1 | 22075~ | |
| 31 | 00543-22310 | CONVERTER ASSY, DC to DC | 1 | 22075~ | |
| 32 | 11000-40616 | BOLT | 1 | 22137~ | |
| 33 | 11300-40006 | NUT | 1 | 22137~ | |
| 34 | 11403-30006 | WASHER | 1 | 22137~ | |
| 35 | 11403-30008 | WASHER | 2 | 22144~ | |
| 36 | 11400-20006 | Spring Washer | 5 | | |
| 37 | 11000-40612 | Bolt | 4 | | |
| 38 | 11411-90006 | WASHER | 4 | | |

VALVE & ACCESSORIES



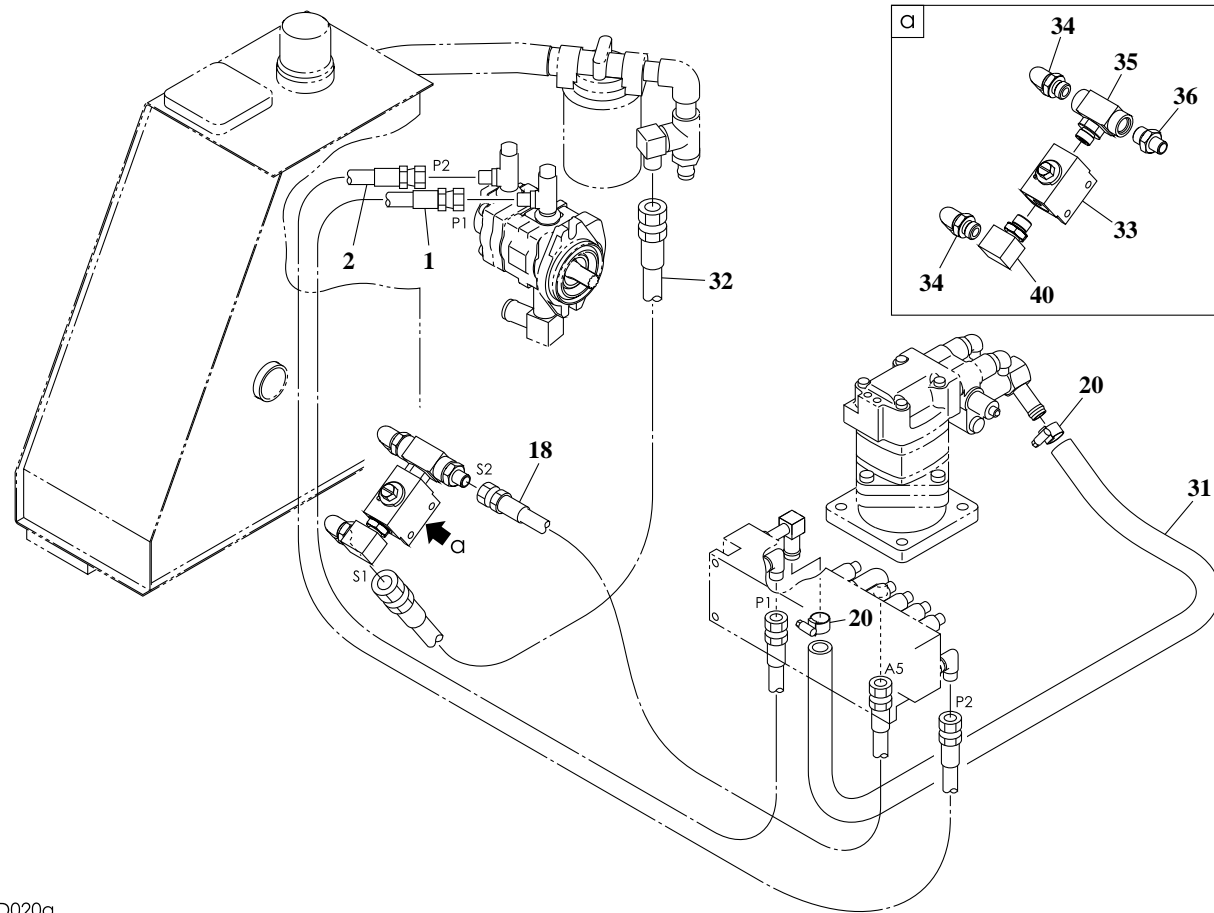
X4D010

S=1/4

VALVE & ACCESSORIES

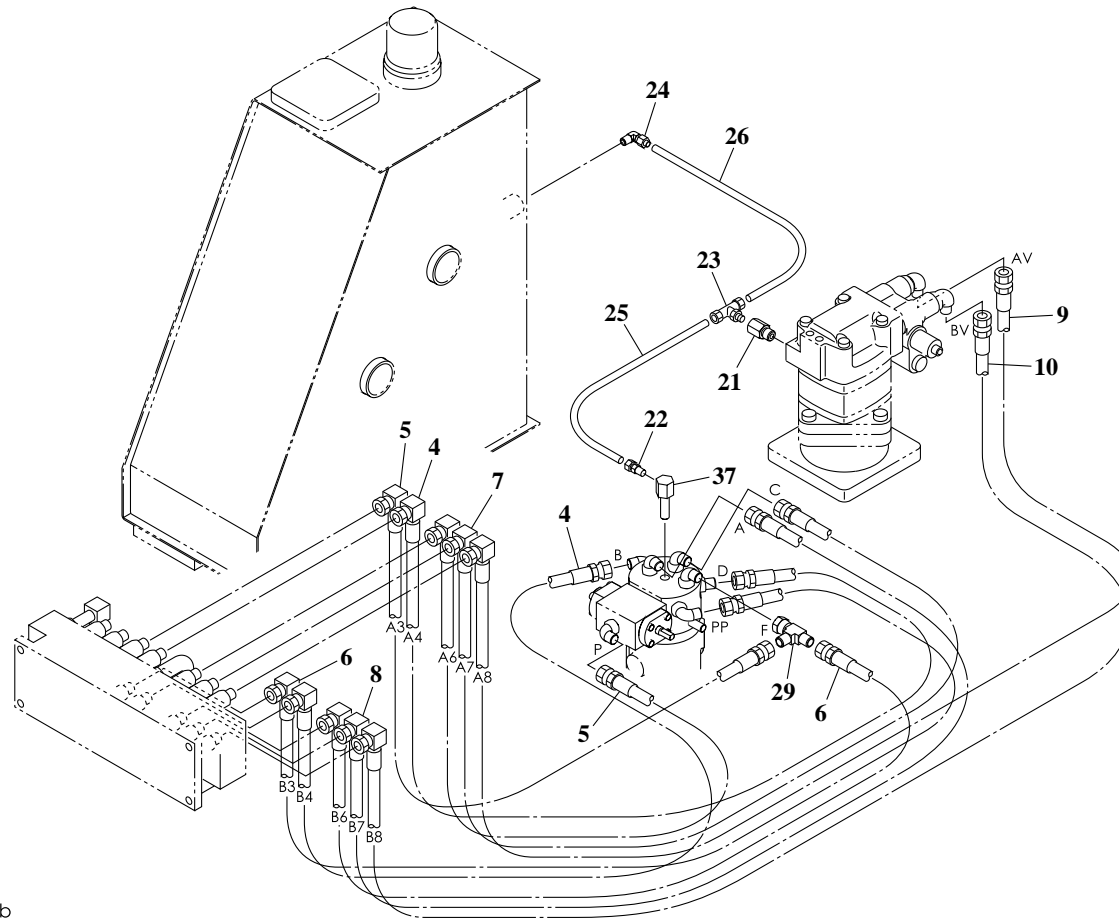
| Item List | | | | | | | | |
|-----------|-------------|------|----------------|------|---------|---------------|------|---------|
| Item | Part Number | Lev. | Description | Q'ty | Compat. | Serial Number | Mod. | Remarks |
| 1 | 04150-02200 | | PLATE | 2 | | | | |
| 2 | 19010-32100 | | VALVE, control | 1 | | | | |
| 3 | 15156-00200 | | ADAPTOR | 8 | | | | |
| 3-1 | 14200-10110 | . | O-RING | 1 | | | | |
| 4 | 00072-03046 | | ADAPTOR | 8 | | 22001~22120 | | |
| 4 | 00072-03046 | | ADAPTOR | 5 | | 22121~ | | |
| 6 | 15150-10130 | | ELBOW | 2 | | | | |
| 6-1 | 14200-10110 | . | O-RING | 1 | | | | |
| 7 | 15133-50002 | | ELBOW | 1 | | | | |
| 7-1 | 14200-10140 | . | O-RING | 1 | | | | |
| 8 | 14200-10110 | | O-RING | 8 | | | | |
| 10 | 11000-40816 | | Bolt | 7 | | | | |
| 11 | 11400-20008 | | WASHER, spring | 7 | | | | |
| 12 | 15150-10041 | | ELBOW | 1 | | | | |
| 12-1 | 14200-10140 | . | O-RING | 1 | | | | |
| 13 | 15150-12511 | | ELBOW | 1 | | | | |
| 13-1 | 14200-10140 | . | O-RING | 1 | | | | |
| 14 | 00072-03034 | | ADAPTOR | 3 | | 22121~ | | |

PIPING; UPPER



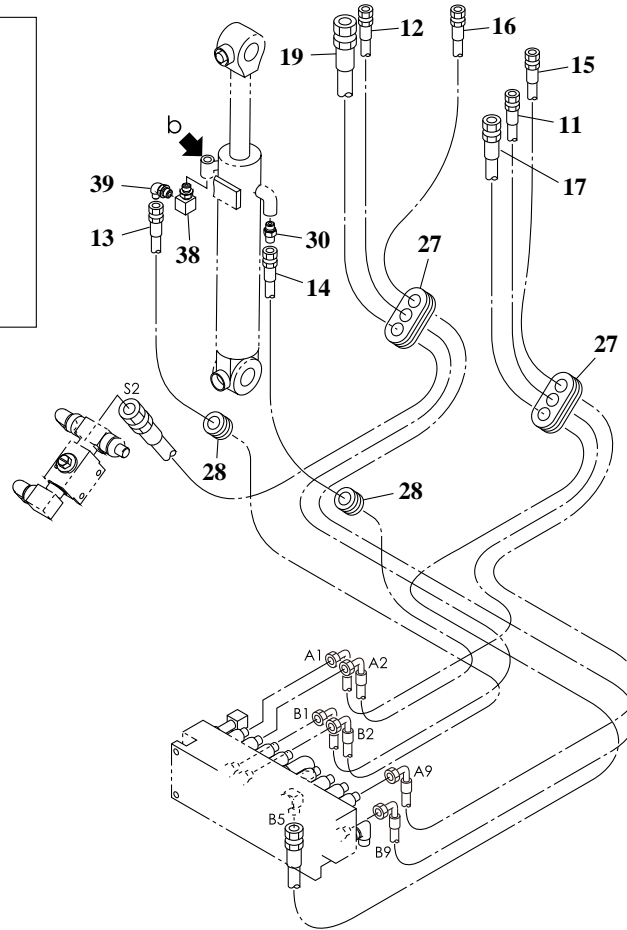
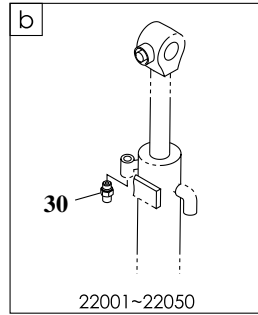
X7D020a

S=1/8



X7D020b

S=1/8



X7D020c-1

S=1/10

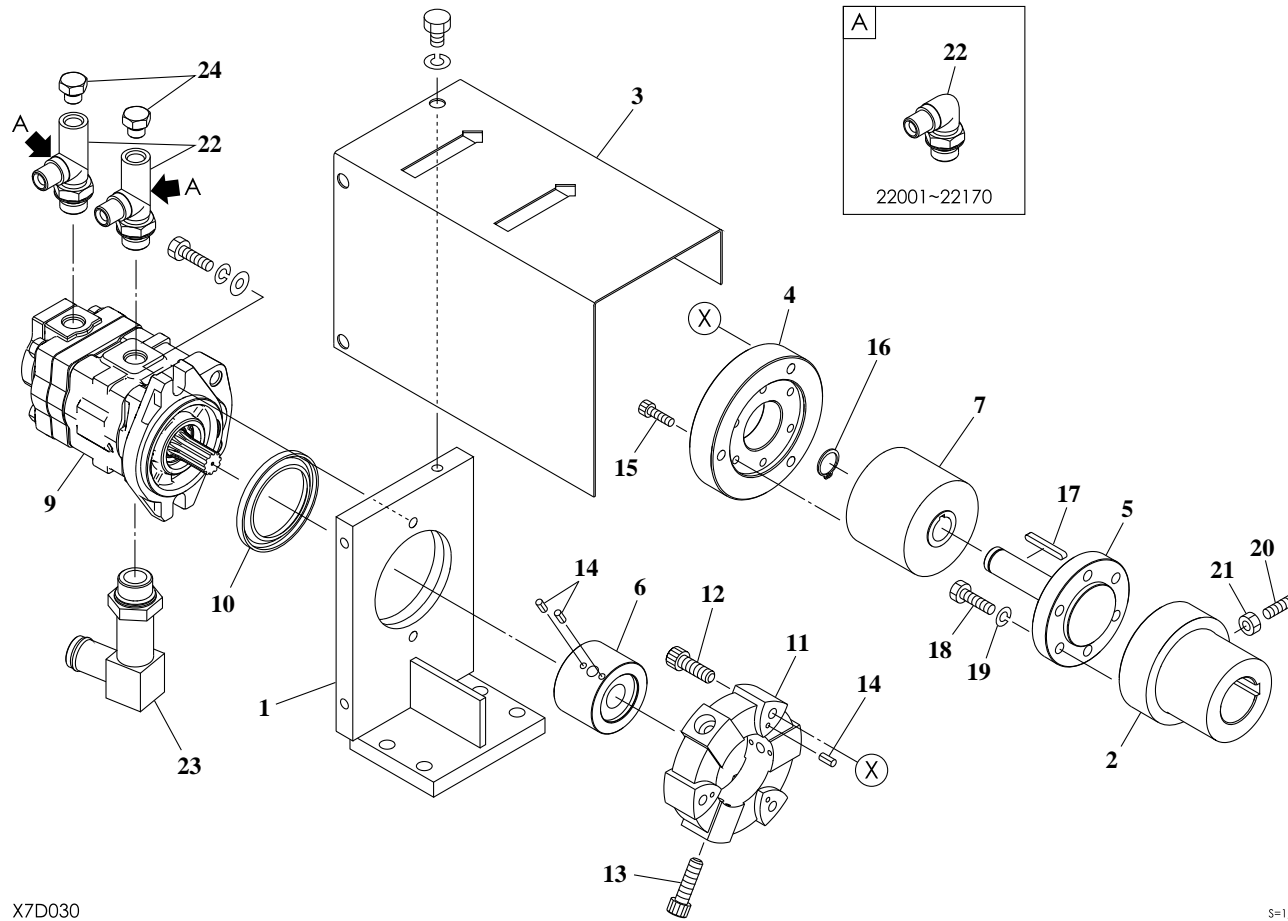
PIPING; UPPER

| Item List | | | | | | | | |
|-----------|-------------|------|-------------|------|---------|---------------|------|-------------------|
| Item | Part Number | Lev. | Description | Q'ty | Compat. | Serial Number | Mod. | Remarks |
| 1 | 18015-20175 | | HOSE ASSY | 1 | | | | |
| 2 | 18015-20180 | | HOSE ASSY | 1 | | | | |
| 4 | 19358-06085 | | HOSE ASSY | 2 | | | | |
| 5 | 19358-06070 | | HOSE ASSY | 2 | | | | |
| 6 | 19358-06080 | | HOSE ASSY | 2 | | | | |
| 7 | 19358-06095 | | HOSE ASSY | 1 | | | | |
| 8 | 19358-06075 | | HOSE ASSY | 1 | | | | |
| 9 | 19358-06125 | | HOSE ASSY | 1 | | | | |
| 10 | 19358-06115 | | HOSE ASSY | 1 | | | | |
| 11 | 18015-01150 | | HOSE ASSY | 1 | | | | |
| 12 | 18015-01165 | | HOSE ASSY | 1 | | | | |
| 13 | 18015-01145 | | HOSE ASSY | 1 | | | | |
| 14 | 18015-01115 | | HOSE ASSY | 1 | | | | |
| 15 | 18015-01160 | | HOSE ASSY | 1 | | | | |
| 16 | 18015-01190 | | HOSE ASSY | 1 | | | | |
| 17 | 18015-20145 | | HOSE ASSY | 1 | | | | |
| 18 | 18015-20100 | | HOSE ASSY | 1 | | | | |
| 19 | 18015-40100 | | HOSE ASSY | 1 | | | | |
| 20 | 15337-00028 | | BAND | 2 | | | | |
| 21 | 00072-11014 | | BUSHING | 1 | | | | |
| 22 | 15325-20601 | | ADAPTOR | 1 | | | | |
| 23 | 15327-20601 | | TEE | 1 | | | | |
| 24 | 15326-20601 | | ELBOW | 1 | | | | |
| 25 | 15320-20625 | | TUBE | 1 | | | | sold by the meter |
| 26 | 15320-20645 | | TUBE | 1 | | | | sold by the meter |
| 27 | 00970-22400 | | GUARD | 2 | | | | |
| 28 | 00772-00400 | | GUARD | 2 | | | | |

PIPING; UPPER

| | | | | | | | |
|------|-------------|---|---------------------|---|-------------|--|-------------------|
| 29 | 15133-90015 | | ADAPTOR | 1 | | | |
| 30 | 15156-00200 | | ADAPTOR | 2 | 22001~22050 | | |
| 30-1 | 14200-10110 | . | O-RING | 1 | | | |
| 30 | 15156-00200 | | ADAPTOR | 1 | 22051~ | | |
| 31 | 15305-19100 | | HOSE | 1 | | | sold by the meter |
| 32 | 19361-12090 | | HOSE | 1 | | | |
| 33 | 19017-19800 | | VALVE ASSY , stop | 1 | | | |
| 34 | 15150-10042 | | ELBOW | 2 | | | |
| 34-1 | 14200-10180 | . | O-RING | 1 | | | |
| 35 | 15133-90011 | | TEE | 1 | | | |
| 35-1 | 14200-10180 | . | O-RING | 1 | | | |
| 36 | 15156-00577 | | ADAPTOR | 1 | | | |
| 36-1 | 14200-10180 | . | O-RING | 1 | | | |
| 37 | 00072-62005 | | ELBOW | 1 | | | |
| 38 | 15133-00014 | | ELBOW | 1 | 22051~ | | |
| 38-1 | 14200-10110 | . | O-RING | 1 | | | |
| 39 | 15150-12040 | | 90Elbow with Washer | 1 | 22051~ | | |
| 39-1 | 14200-10110 | . | O-RING | 1 | | | |
| 40 | 15133-00016 | | ELBOW | 1 | | | |
| 40-1 | 14200-10180 | . | O-RING | 1 | | | |

PUMP DRIVE



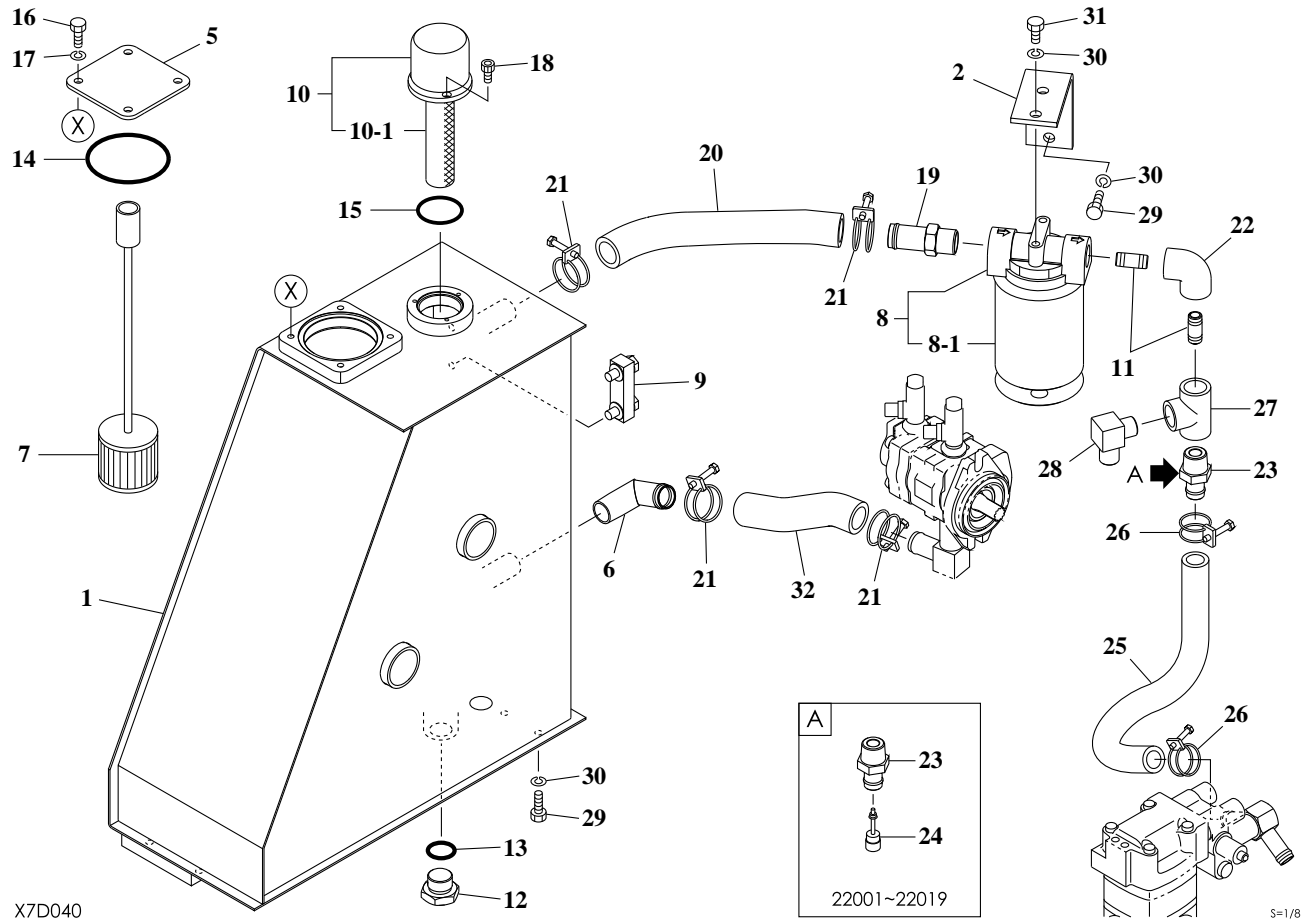
X7D030

S=1/5

PUMP DRIVE

| Item List | | | | | | | | |
|-----------|-------------|------|-------------------|------|---------|---------------|------|---------|
| Item | Part Number | Lev. | Description | Q'ty | Compat. | Serial Number | Mod. | Remarks |
| 1 | 00552-30100 | | BRACKET | 1 | | | | |
| 2 | 00552-30200 | | COUPLING | 1 | | | | |
| 3 | 00552-30300 | | COVER | 1 | | | | |
| 4 | 08505-55120 | | FLANGE | 1 | | | | |
| 5 | 08505-55130 | | SHAFT | 1 | | | | |
| 6 | 00652-15200 | | BOSS, coupling | 1 | | | | |
| 7 | 16102-02020 | | ONE-WAY CLUTCH | 1 | | | | |
| 9 | 19020-13100 | | PUMP | 1 | | | | |
| 10 | 14004-03217 | | SEAL, oil | 1 | | | | |
| 11 | 16020-00080 | | COUPLING | 1 | | | | |
| 12 | 11100-41030 | | SCREW, cap | 3 | | | | |
| 13 | 11100-41035 | | SCREW, cap | 3 | | | | |
| 14 | 12130-00408 | | PIN, spring | 9 | | | | |
| 15 | 11100-40620 | | SCREW, cap | 6 | | | | |
| 16 | 12200-00020 | | RING, retaining | 1 | | | | |
| 17 | 12011-40540 | | KEY | 1 | | | | |
| 18 | 11000-40830 | | BOLT | 6 | | | | |
| 19 | 11400-20008 | | WASHER, spring | 6 | | | | |
| 20 | 11210-50830 | | SCREW, set | 2 | | | | |
| 21 | 11300-40008 | | NUT | 2 | | | | |
| 22 | 15150-10051 | | ELBOW | 2 | | 22001~22170 | | |
| 22 | 15123-40003 | | ELBOW | 2 | | 22171~ | | |
| 22-1 | 14200-10180 | . | O-RING | 1 | | | | |
| 23 | 15133-50011 | | CONNECTOR | 1 | | | | |
| 23-1 | 14200-10240 | . | O-RING | 1 | | | | |
| 24 | 15017-50002 | | Hexagon Head Plug | 2 | | 22171~ | | |
| 24-1 | 14200-10110 | . | O-RING | 1 | | | | |

HYDRAULIC TANK



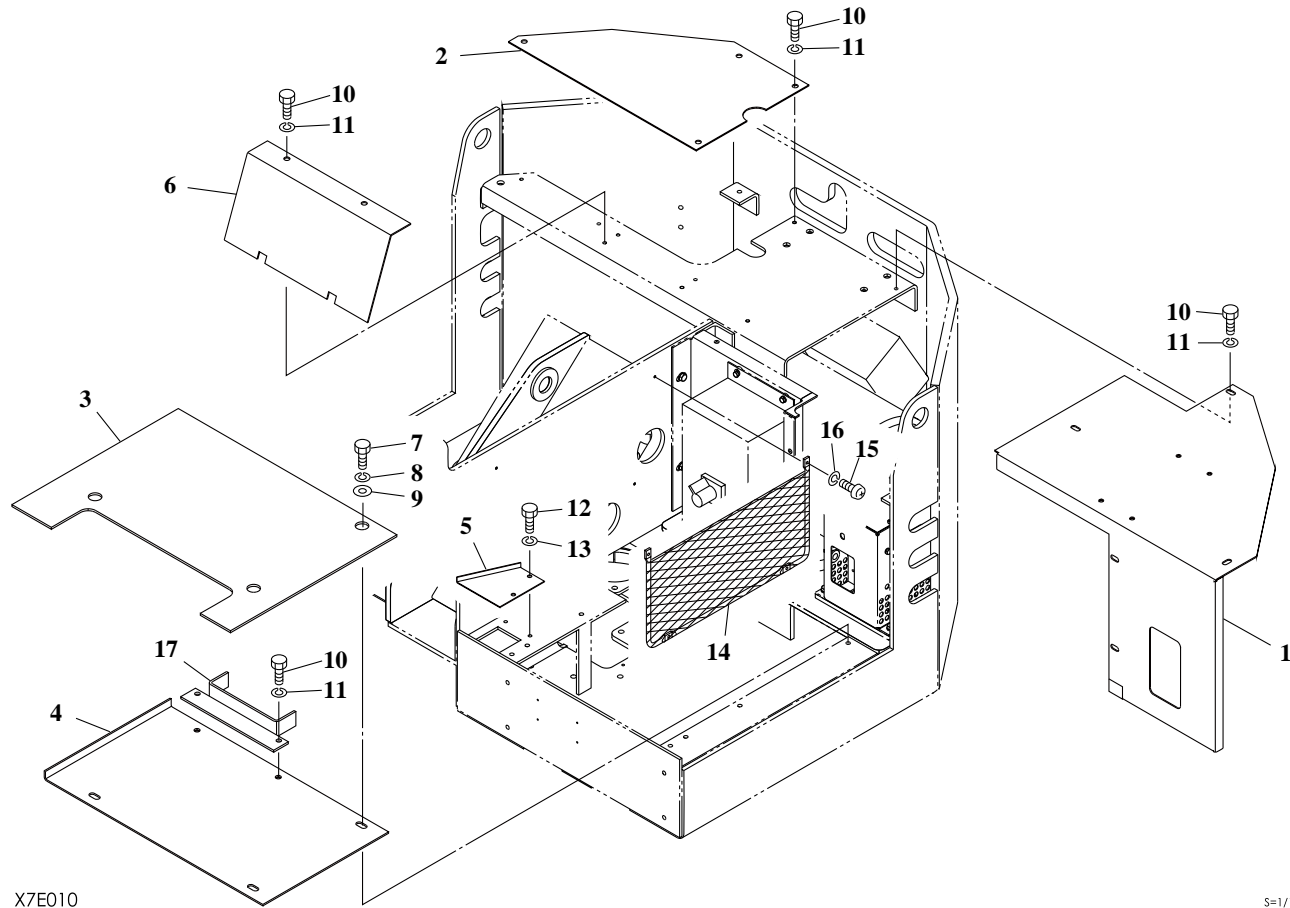
HYDRAULIC TANK

| Item List | | | | | | | |
|-----------|-------------|------|-----------------|------|---------|---------------|-------------------|
| Item | Part Number | Lev. | Description | Q'ty | Compat. | Serial Number | Mod. Remarks |
| 1 | 00580-31100 | | TANK, hydraulic | 1 | | | |
| 2 | 00580-22200 | | ANGLE | 1 | | 22001~22022 | |
| 2 | 00580-23200 | | ANGLE | 1 | | 22023~ | |
| 5 | 03480-00200 | | COVER | 1 | | | |
| 6 | 04440-05100 | | ADAPTOR, hose | 1 | | | |
| 7 | 15502-04350 | | FILTER | 1 | | | |
| 8 | 15510-20180 | | FILTER | 1 | | | |
| 8-1 | 15510-20200 | . | CARTRIDGE | 1 | | | |
| 9 | 15530-20655 | | GAUGE | 1 | | | |
| 10 | 15520-10301 | | BREATHER, air | 1 | | | |
| 10-1 | 15520-02301 | . | STRAINER | 1 | | | |
| 11 | 15130-00006 | | BARREL NIPPLE | 2 | | | |
| 12 | 15017-50006 | | PLUG | 1 | | | |
| 13 | 14200-10240 | | O-RING | 1 | | | |
| 14 | 14201-10850 | | O-RING | 1 | | | |
| 15 | 14204-02045 | | O-RING | 1 | | | |
| 16 | 11000-40814 | | BOLT | 4 | | | |
| 17 | 11400-20008 | | WASHER, spring | 4 | | | |
| 18 | 11100-50510 | | SCREW, cap | 3 | | | |
| 19 | 00072-24003 | | ADAPTOR | 1 | | | |
| 20 | 15305-25030 | | HOSE | 1 | | | sold by the meter |
| 21 | 15330-01038 | | CLAMP | 4 | | | |
| 22 | 15080-10006 | | ELBOW | 1 | | | |
| 23 | 04180-02300 | | ADAPTOR | 1 | | | |
| 24 | 15401-42220 | | VALVE | 1 | | 22001~22019 | |
| 25 | 15305-19070 | | HOSE | 1 | | | sold by the meter |
| 26 | 15330-01032 | | CLAMP | 2 | | | |

HYDRAULIC TANK

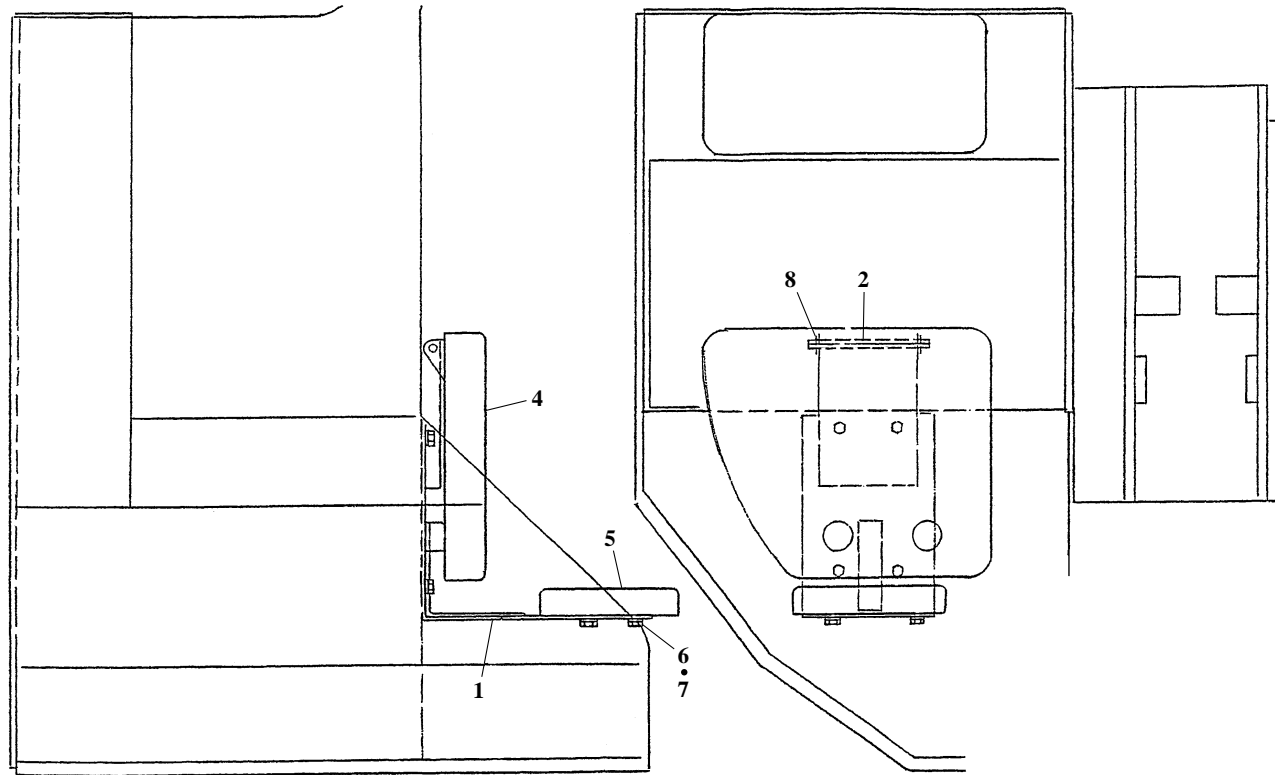
| | | | | | | |
|----|-------------|--|----------------|---|-------------|-------------------|
| 27 | 15092-10604 | | TEE | 1 | | |
| 28 | 15111-50004 | | ELBOW | 1 | | |
| 29 | 11000-41030 | | BOLT | 6 | | |
| 30 | 11400-20010 | | HARNES, wiring | 8 | | |
| 31 | 11000-41020 | | BOLT | 2 | | |
| 32 | 15305-25011 | | HOSE | 1 | 22001~22170 | sold by the meter |
| 32 | 15305-25017 | | HOSE | 1 | 22171~ | sold by the meter |

COVER



COVER

| Item List | | | | | | | |
|-----------|-------------|------|-----------------|------|---------|---------------|--------------|
| Item | Part Number | Lev. | Description | Q'ty | Compat. | Serial Number | Mod. Remarks |
| 1 | 00582-31100 | | COVER | 1 | | | |
| 2 | 00582-32200 | | PLATE | 1 | | | |
| 3 | 00582-31300 | | MAT, floor | 1 | | | |
| 4 | 00582-23300 | | PLATE, floor | 1 | | | |
| 5 | 00582-31500 | | PLATE | 1 | | | |
| 6 | 00582-32300 | | PLATE | 1 | | | |
| 7 | 11000-41020 | | BOLT | 3 | | | |
| 8 | 11400-20010 | | HARNESS, wiring | 3 | | | |
| 9 | 00036-00020 | | WASHER | 3 | | | |
| 10 | 11000-40820 | | BOLT | 13 | | | |
| 11 | 11400-20008 | | WASHER, spring | 13 | | | |
| 12 | 11000-40616 | | BOLT | 2 | | | |
| 13 | 11400-20006 | | Spring Washer | 2 | | | |
| 14 | 16536-91350 | | POCKET | 1 | | | |
| 15 | 11205-30514 | | SCREW | 4 | | | |
| 16 | 11400-20005 | | WASHER, spring | 4 | | | |
| 17 | 00582-32400 | | GUARD | 1 | | 22097~ | |

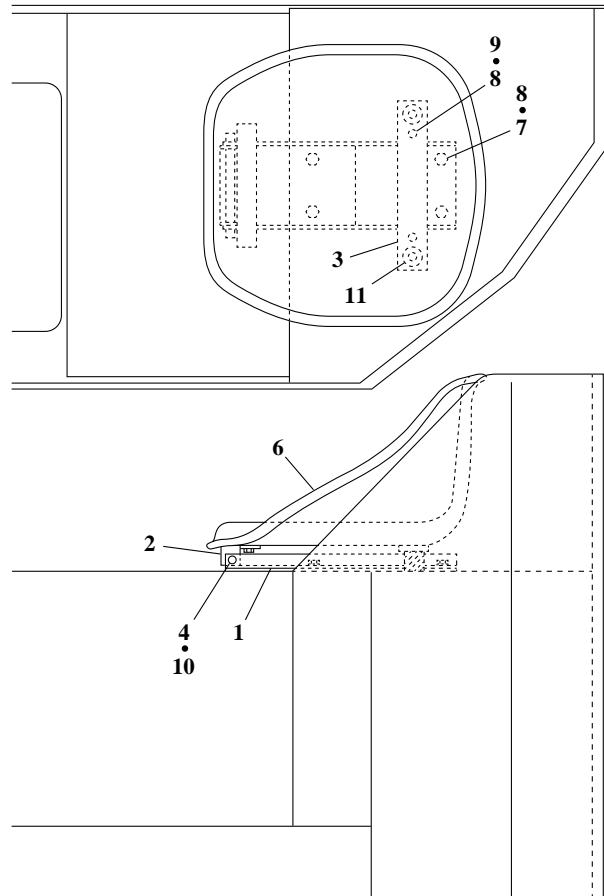


X4E020

S=free

OPERATOR SEAT(22001-22090)

| Item List | | | | | | | |
|-----------|-------------|------|----------------|------|---------|---------------|-------------------|
| Item | Part Number | Lev. | Description | Q'ty | Compat. | Serial Number | Mod. Remarks |
| 1 | 00534-23100 | | PLATE | 1 | | | |
| 2 | 00534-23200 | | PIN | 1 | | | |
| 4 | 19141-00052 | | SEAT ASSY | 1 | | | Discontinued sale |
| 5 | 19141-00053 | | BACK ASSY | 1 | | | |
| 6 | 11000-40816 | | Bolt | 8 | | | |
| 7 | 11400-20008 | | WASHER, spring | 8 | | | |
| 8 | 12140-00008 | | PIN, snap | 2 | | | |

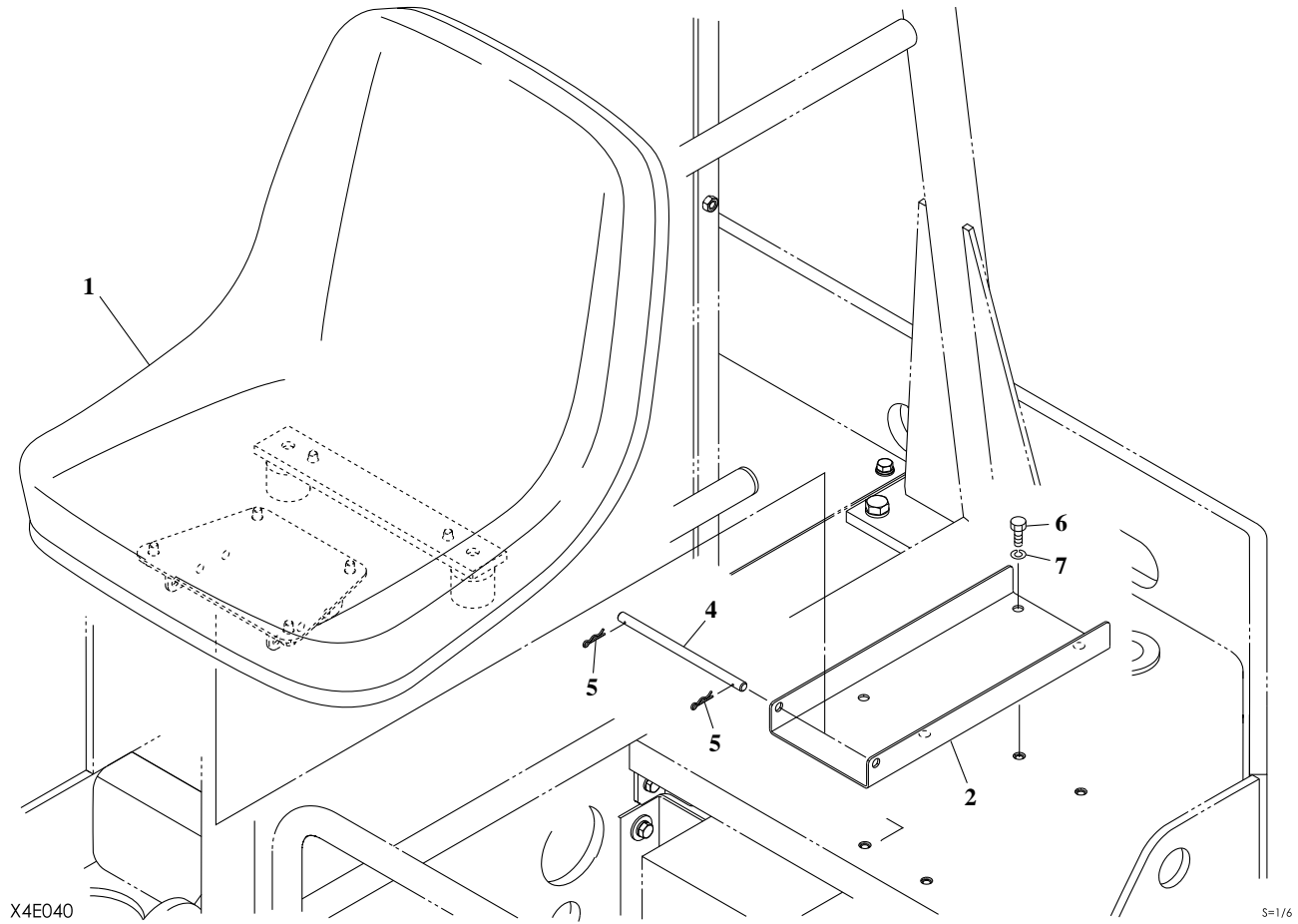


X4E030

S=free

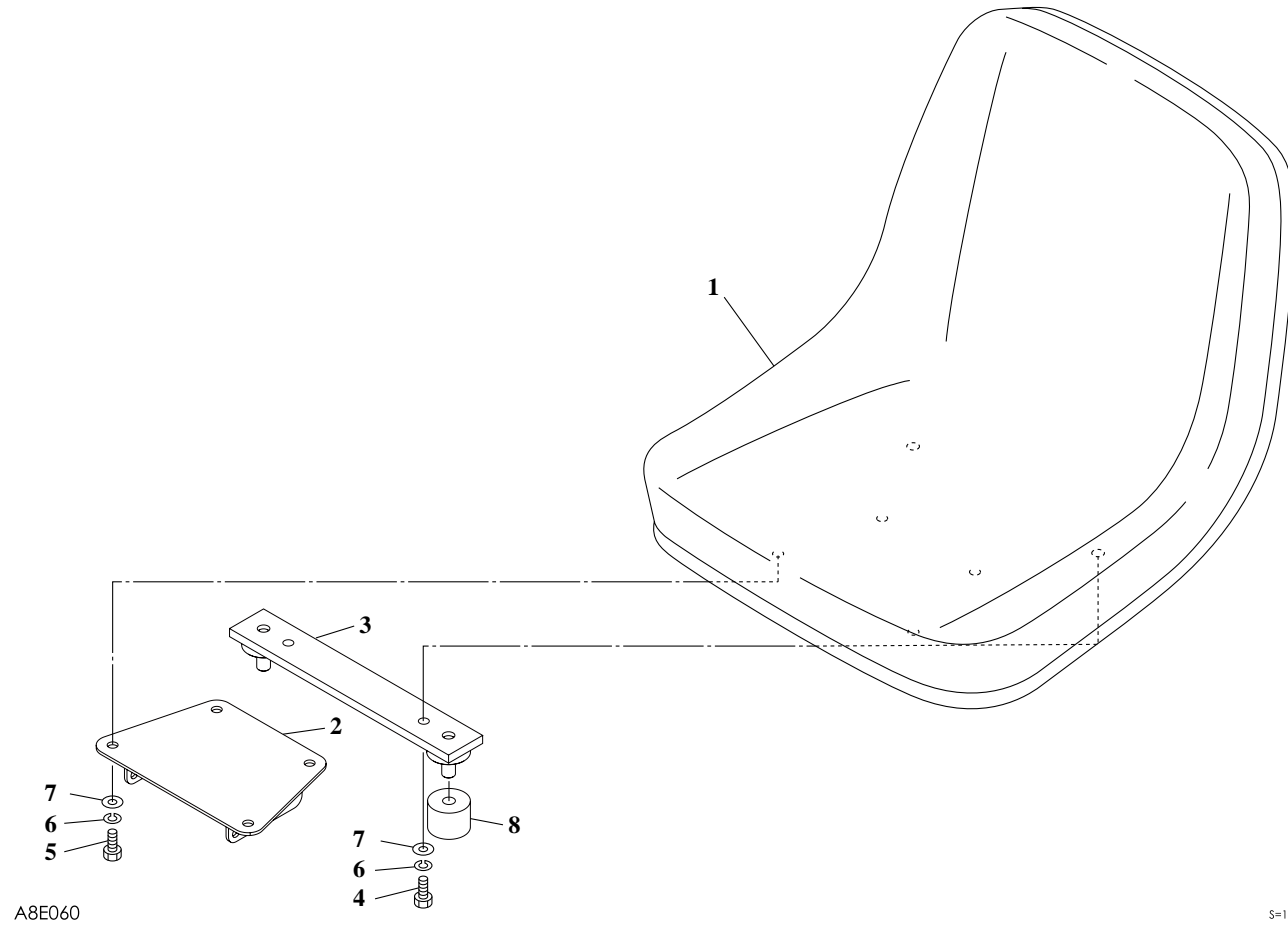
OPERATOR SEAT(22090-22136)

| Item List | | | | | | | |
|-----------|-------------|------|-----------------|------|---------|---------------|-------------------|
| Item | Part Number | Lev. | Description | Q'ty | Compat. | Serial Number | Mod. Remarks |
| 1 | 00534-23510 | | PLATE | 1 | | | |
| 2 | 00534-23520 | | BRACKET | 1 | | | |
| 3 | 00534-23530 | | PLATE | 1 | | | |
| 4 | 00534-23200 | | PIN | 1 | | | |
| 6 | 19141-00104 | | SEAT | 1 | | | Discontinued sale |
| 7 | 11000-40816 | | Bolt | 4 | | | |
| 8 | 11400-20008 | | WASHER, spring | 8 | | | |
| 9 | 11300-40008 | | NUT | 4 | | | |
| 10 | 12140-00008 | | PIN, snap | 2 | | | |
| 11 | 16510-03030 | | CUSHION, rubber | 2 | | | |



OPERATOR SEAT(1/2)(22137-)

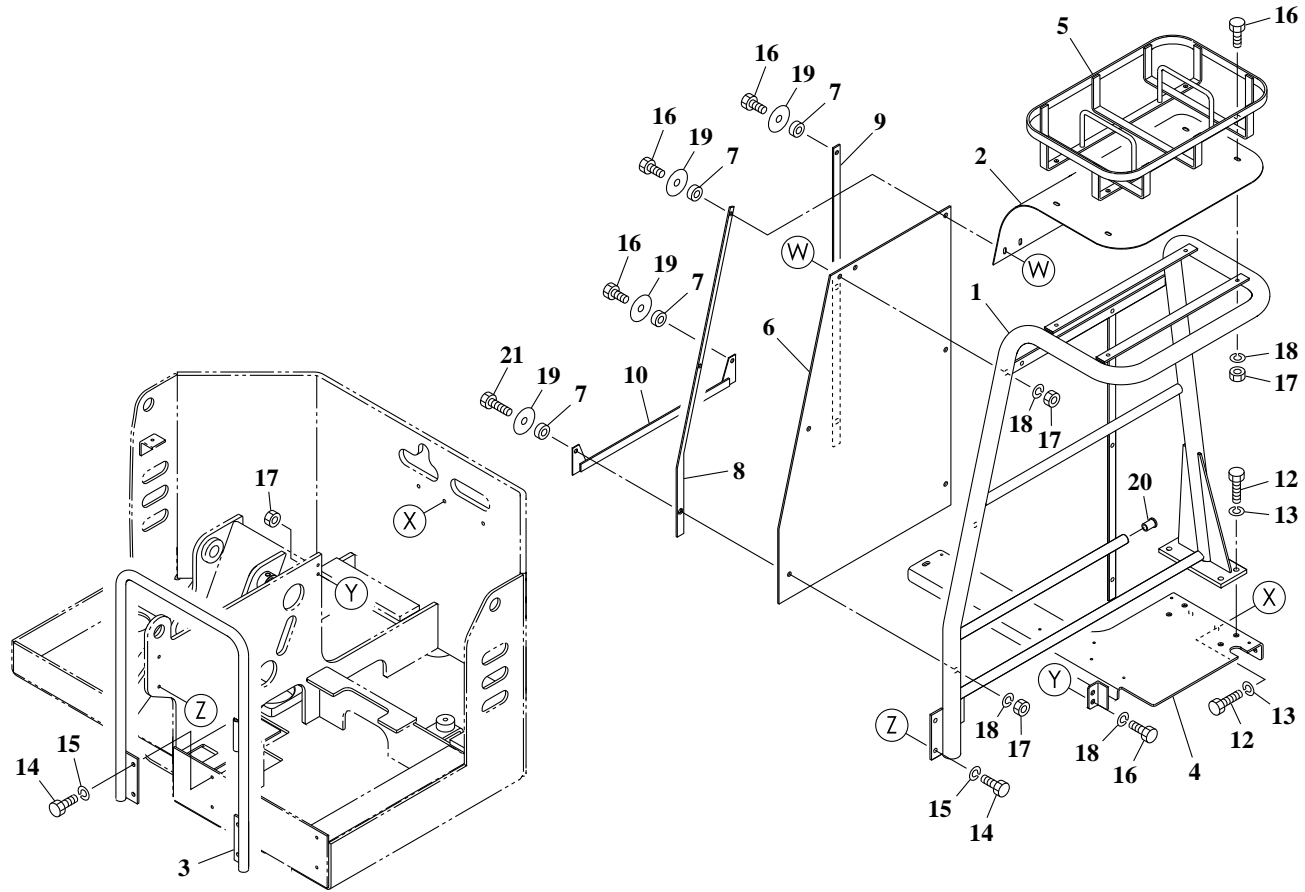
| Item List | | | | | | | | |
|-----------|-------------|------|----------------|------|---------|---------------|------|-----------|
| Item | Part Number | Lev. | Description | Q'ty | Compat. | Serial Number | Mod. | Remarks |
| 1 | 00534-00001 | | SEAT ASSY | 1 | | | | see (2/2) |
| 2 | 00534-00006 | | PLATE | 1 | | | | |
| 4 | 00534-23200 | | PIN | 1 | | | | |
| 5 | 12140-00008 | | PIN, snap | 2 | | | | |
| 6 | 11000-40816 | | Bolt | 4 | | | | |
| 7 | 11400-20008 | | WASHER, spring | 4 | | | | |



OPERATOR SEAT(2/2)(22137-)

| Item List | | | | | | | | |
|-----------|-------------|------|-----------------|------|---------|---------------|------|---------|
| Item | Part Number | Lev. | Description | Q'ty | Compat. | Serial Number | Mod. | Remarks |
| 0 | 00534-00001 | | SEAT ASSY | 1 | | | M | |
| 1 | 19141-00095 | . | SEAT ASSY | 1 | | | M | |
| 2 | 08505-35320 | . | BRACKET | 1 | | | M | |
| 3 | 00534-00002 | . | PLATE | 1 | | | M | |
| 4 | 11000-40820 | . | BOLT | 2 | | | M | |
| 5 | 11000-40816 | . | Bolt | 4 | | | M | |
| 6 | 11400-20008 | . | WASHER, spring | 6 | | | M | |
| 7 | 11411-10008 | . | WASHER | 6 | | | M | |
| 8 | 16510-04030 | . | CUSHION, rubber | 2 | | | M | |

CANOPY



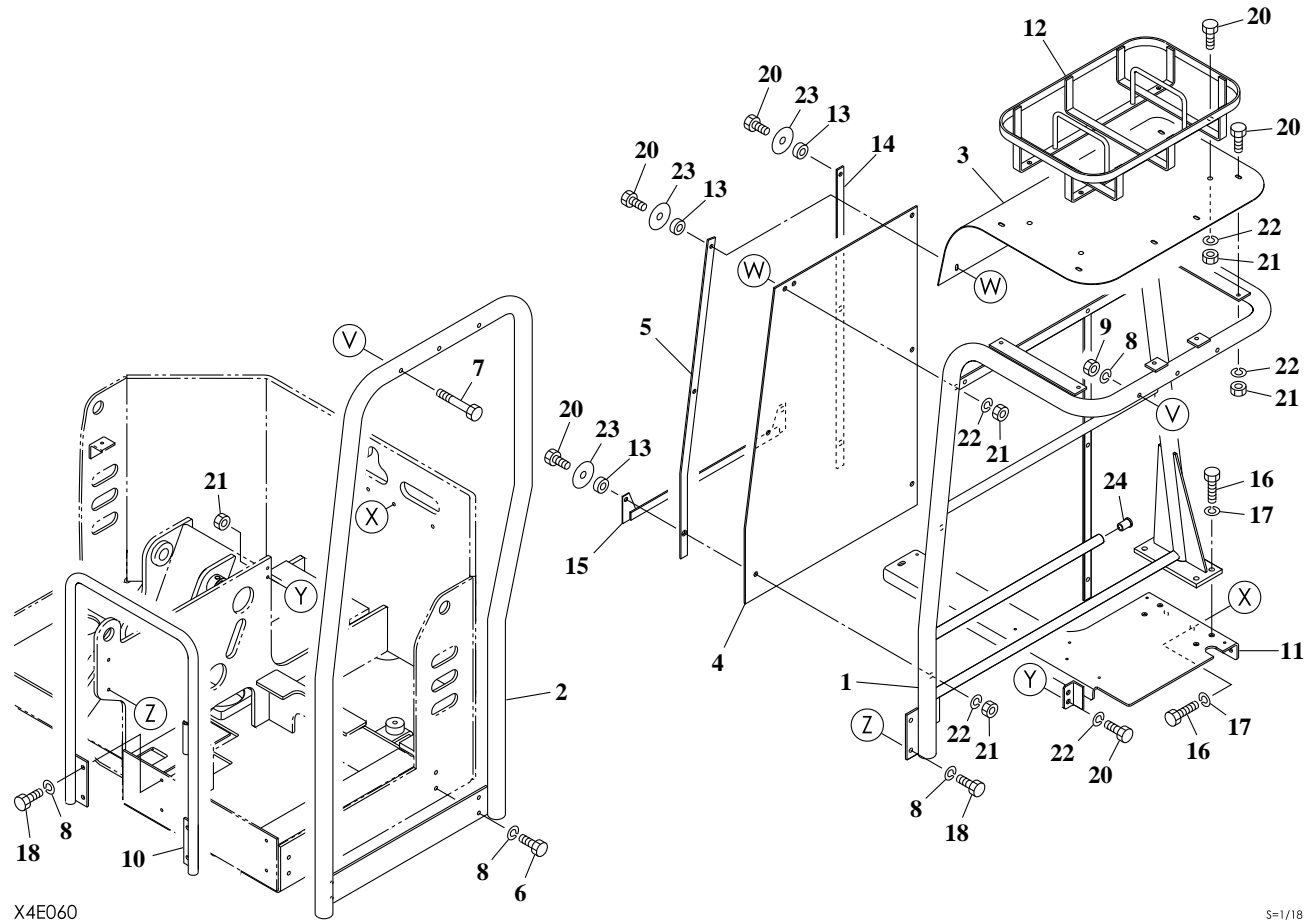
X4E050

S=1/18

CANOPY

| Item List | | | | | | | | |
|-----------|-------------|------|----------------|------|---------|---------------|------|---------|
| Item | Part Number | Lev. | Description | Q'ty | Compat. | Serial Number | Mod. | Remarks |
| 1 | 00585-04100 | | POLE | 1 | | | | |
| 2 | 00585-02200 | | PANEL | 1 | | | | |
| 3 | 00585-04200 | | HANDRAIL | 1 | | | | |
| 4 | 00585-05100 | | PLATE | 1 | | | | |
| 5 | 00585-02500 | | BUCKET | 1 | | | | |
| 6 | 00585-02600 | | PLATE, side | 1 | | | | |
| 7 | 00585-02700 | | PIPE | 7 | | | | |
| 8 | 00585-02810 | | PLATE | 1 | | | | |
| 9 | 00585-02820 | | PLATE | 1 | | | | |
| 10 | 00585-02830 | | PLATE | 1 | | | | |
| 12 | 11010-41230 | | BOLT | 7 | | | | |
| 13 | 11400-20012 | | WASHER | 7 | | | | |
| 14 | 11000-41020 | | BOLT | 6 | | | | |
| 15 | 11400-20010 | | HARNES, wiring | 6 | | | | |
| 16 | 11000-40820 | | BOLT | 13 | | | | |
| 17 | 11300-40008 | | NUT | 13 | | | | |
| 18 | 11400-20008 | | WASHER, spring | 13 | | | | |
| 19 | 00036-08003 | | WASHER | 7 | | | | |
| 20 | 16520-70022 | | NUT | 1 | | | | |
| 21 | 11206-30830 | | SCREW | 1 | | 22071~ | | |

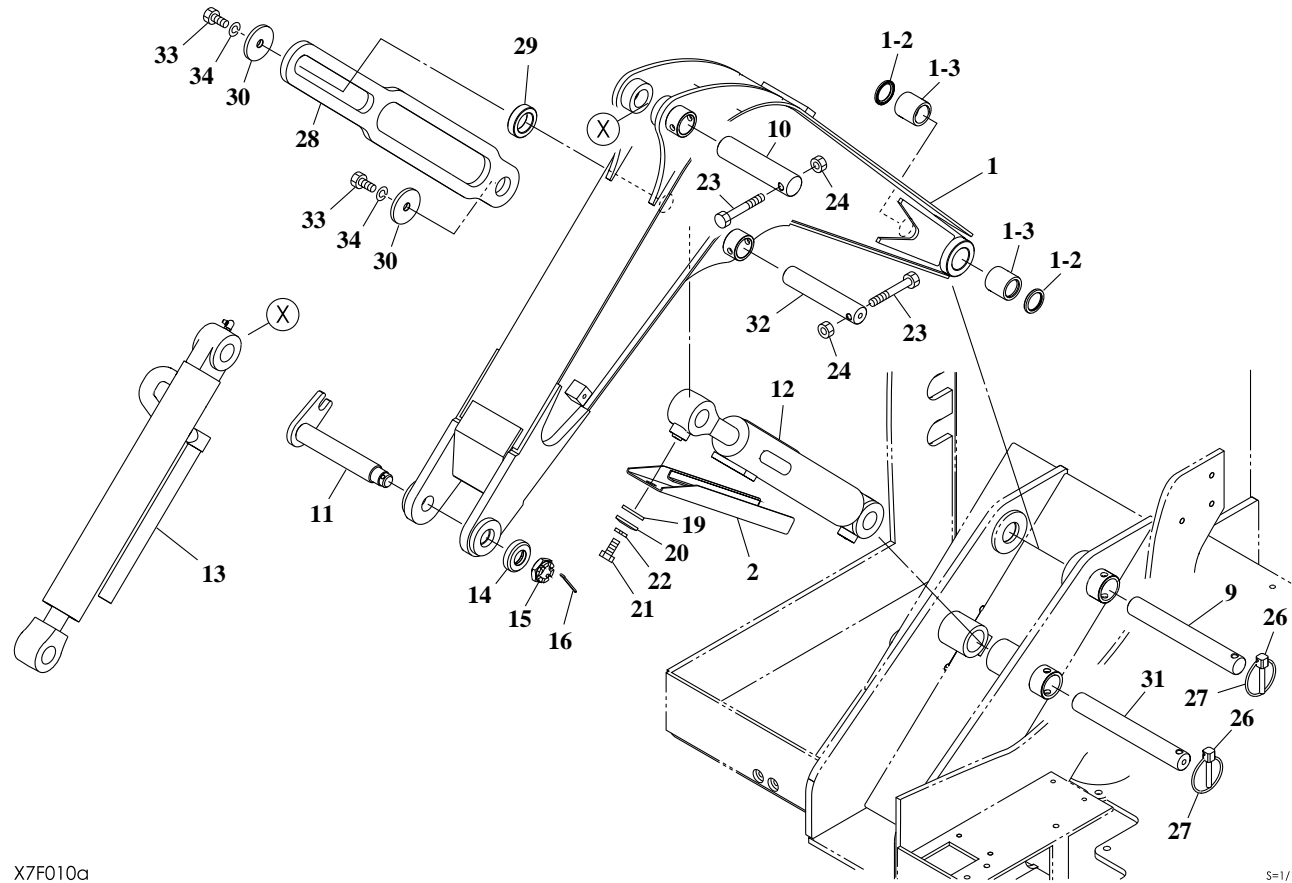
TOPS CANOPY



TOPS CANOPY

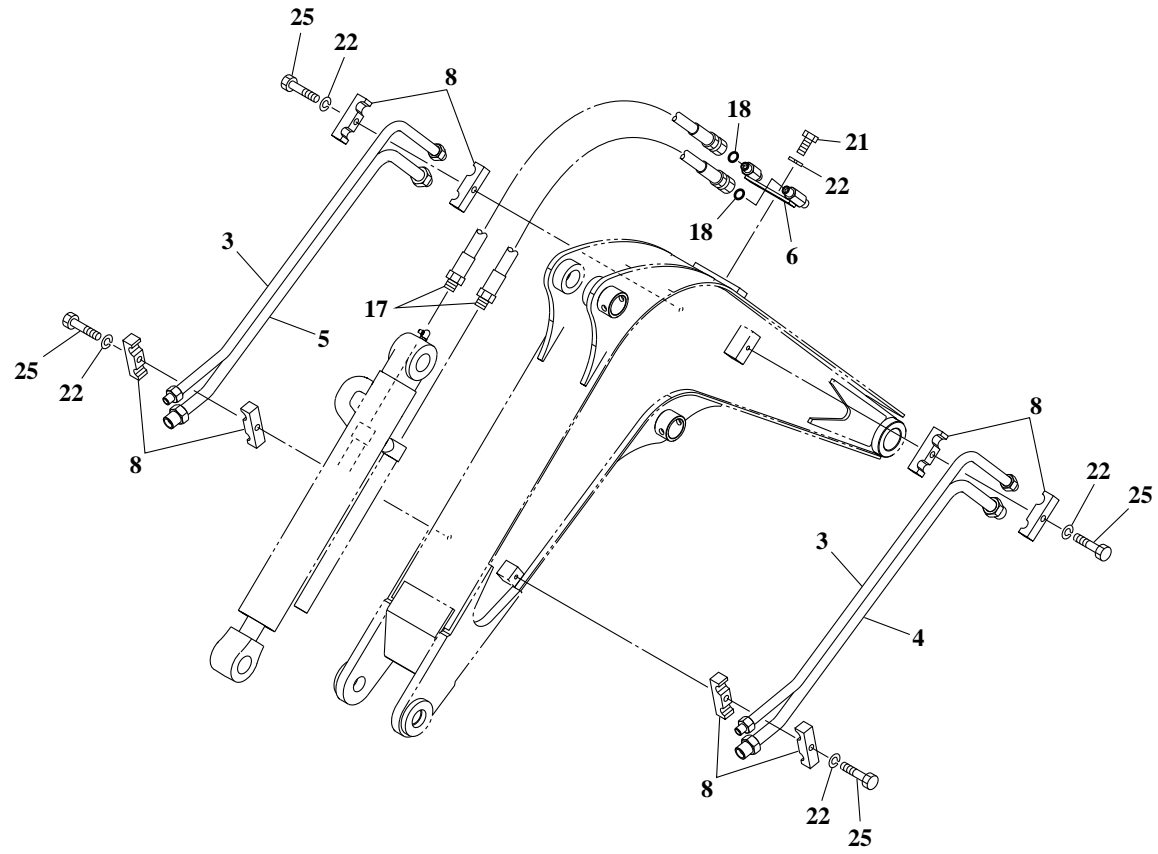
| Item List | | | | | | | | |
|-----------|-------------|------|-----------------|------|---------|---------------|------|---------|
| Item | Part Number | Lev. | Description | Q'ty | Compat. | Serial Number | Mod. | Remarks |
| 1 | 00585-06100 | | POLE | 1 | | | | |
| 2 | 00585-06200 | | POLE | 1 | | | | |
| 3 | 00585-06300 | | PLATE | 1 | | | | |
| 4 | 00585-06400 | | PLATE, side | 1 | | | | |
| 5 | 00585-06500 | | PLATE | 1 | | | | |
| 6 | 11000-41025 | | BOLT | 4 | | | | |
| 7 | 11001-41020 | | BOLT | 3 | | | | |
| 8 | 11400-20010 | | HARNESS, wiring | 13 | | | | |
| 9 | 11300-40010 | | NUT | 3 | | | | |
| 10 | 00585-04200 | | HANDRAIL | 1 | | | | |
| 11 | 00585-05100 | | PLATE | 1 | | | | |
| 12 | 00585-02500 | | BUCKET | 1 | | | | |
| 13 | 00585-02700 | | PIPE | 7 | | | | |
| 14 | 00585-02820 | | PLATE | 1 | | | | |
| 15 | 00585-02830 | | PLATE | 1 | | | | |
| 16 | 11010-41230 | | BOLT | 7 | | | | |
| 17 | 11400-20012 | | WASHER | 7 | | | | |
| 18 | 11000-41020 | | BOLT | 6 | | | | |
| 20 | 11000-40820 | | BOLT | 17 | | | | |
| 21 | 11300-40008 | | NUT | 17 | | | | |
| 22 | 11400-20008 | | WASHER, spring | 17 | | | | |
| 23 | 00036-08003 | | WASHER | 7 | | | | |
| 24 | 16520-70022 | | NUT | 1 | | | | |

BOOM



X7F010a

S=1/10



X7F010b-1

S=1/10

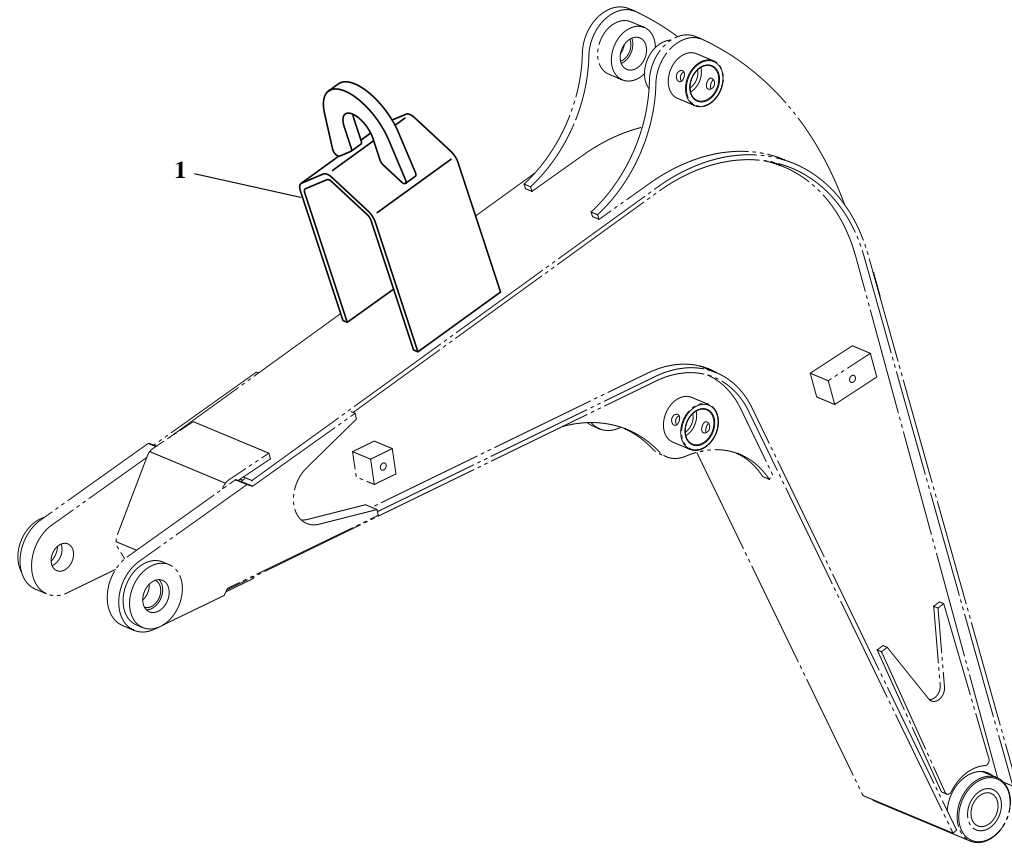
BOOM

| Item List | | | | | | | | |
|-----------|-------------|------|-----------------|------|---------|---------------|------|---------|
| Item | Part Number | Lev. | Description | Q'ty | Compat. | Serial Number | Mod. | Remarks |
| 1 | 00560-30100 | | BOOM | 1 | | | | |
| 1-2 | 14322-00030 | . | SEAL, dust | 2 | | | | |
| 1-3 | 00023-30040 | . | BUSHING | 2 | | | | |
| 2 | 00560-30200 | | COVER, rod | 1 | | | | |
| 3 | 00560-30700 | | PIPE | 2 | | | | |
| 4 | 00560-30800 | | PIPE | 1 | | | | |
| 5 | 00560-30900 | | PIPE | 1 | | | | |
| 6 | 00560-30600 | | JOINT | 1 | | | | |
| 8 | 00860-15400 | | CLAMP ASSY | 4 | | | | |
| 9 | 00016-91013 | | PIN | 1 | | 22001~22156 | | |
| 9 | 00016-01230 | | PIN | 1 | | 22157~ | | |
| 10 | 00116-01130 | | PIN | 1 | | | | |
| 11 | 00119-01005 | | PIN | 1 | | | | |
| 12 | 19000-66900 | | CYLINDER, boom | 1 | | | | |
| 13 | 19000-67000 | | CYLINDER, arm | 1 | | | | |
| 14 | 00039-00012 | | WASHER | 1 | | | | |
| 15 | 11326-30024 | | NUT | 1 | | | | |
| 16 | 12100-00545 | | PIN, split | 1 | | | | |
| 17 | 18017-02043 | | HOSE ASSY | 2 | | | | |
| 18 | 14200-10110 | | O-RING | 2 | | | | |
| 19 | 00036-08003 | | WASHER | 1 | | | | |
| 20 | 12251-21016 | | WASHER, conical | 1 | | | | |
| 21 | 11000-40816 | | Bolt | 3 | | | | |
| 22 | 11400-20008 | | WASHER, spring | 7 | | | | |
| 23 | 11030-40855 | | BOLT | 2 | | | | |
| 24 | 11302-40008 | | NUT | 2 | | | | |
| 25 | 11000-40845 | | BOLT | 4 | | | | |

BOOM

| | | | | | | | |
|----|-------------|--|-----------------|---|--|-------------|--|
| 26 | 04261-06100 | | PIN | 2 | | | |
| 27 | 04261-06200 | | RING | 2 | | | |
| 28 | 00560-30620 | | STOPPER | 1 | | 22001~22156 | |
| 28 | 00560-30002 | | STOPPER | 1 | | 22157~ | |
| 29 | 00560-30630 | | COLLAR | 1 | | | |
| 30 | 00036-00085 | | WASHER | 2 | | | |
| 31 | 00016-91017 | | PIN | 1 | | | |
| 32 | 00016-91018 | | PIN | 1 | | | |
| 33 | 11000-41020 | | BOLT | 2 | | | |
| 34 | 11400-20010 | | HARNESS, wiring | 2 | | | |

BOOM FISHING HOOK

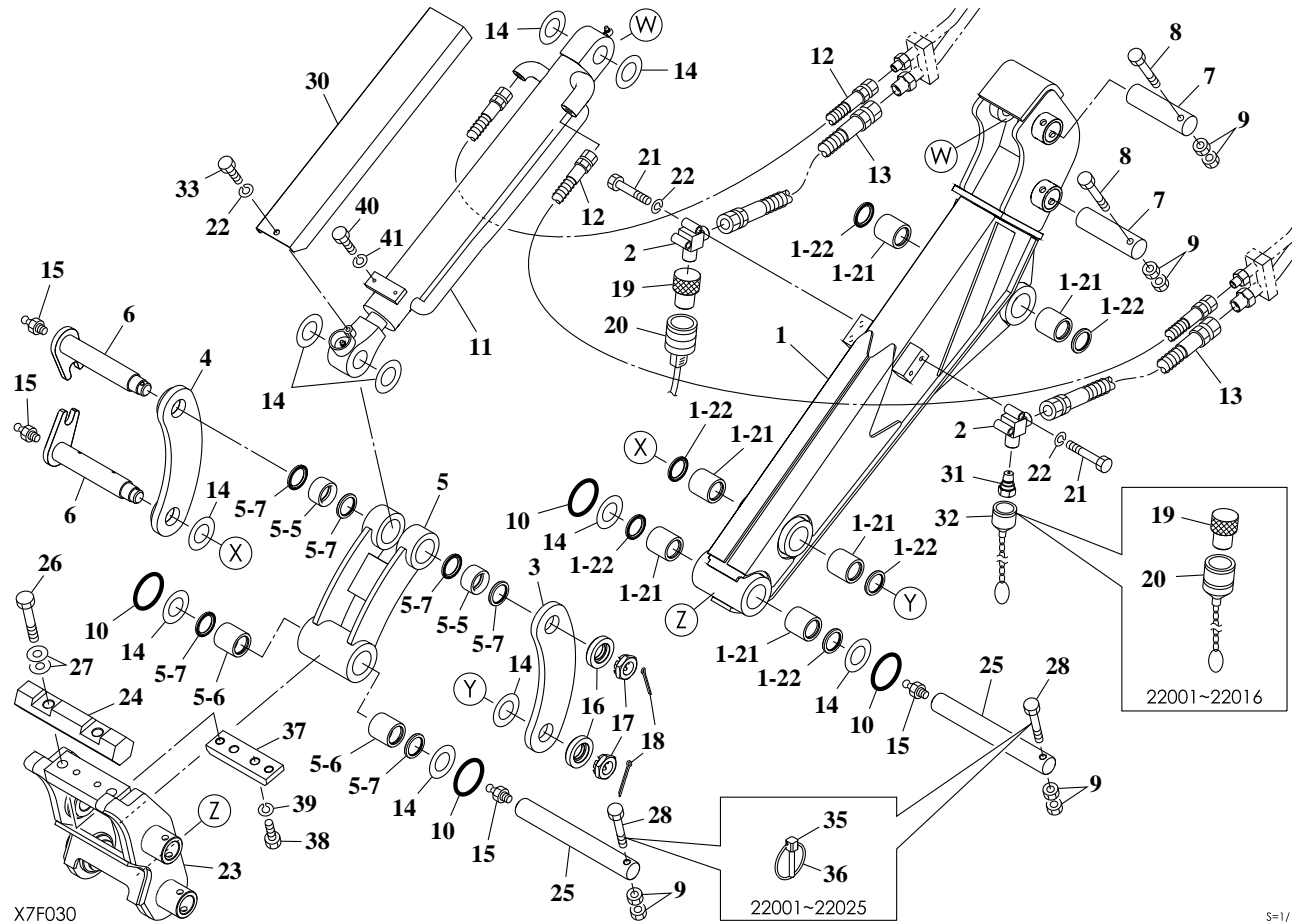


X7F020

S=free

BOOM FISHING HOOK

| Item List | | | | | | | | |
|-----------|-------------|------|-------------|------|---------|---------------|------|---------|
| Item | Part Number | Lev. | Description | Q'ty | Compat. | Serial Number | Mod. | Remarks |
| 1 | 00560-31100 | | HOOK | 1 | | | | |



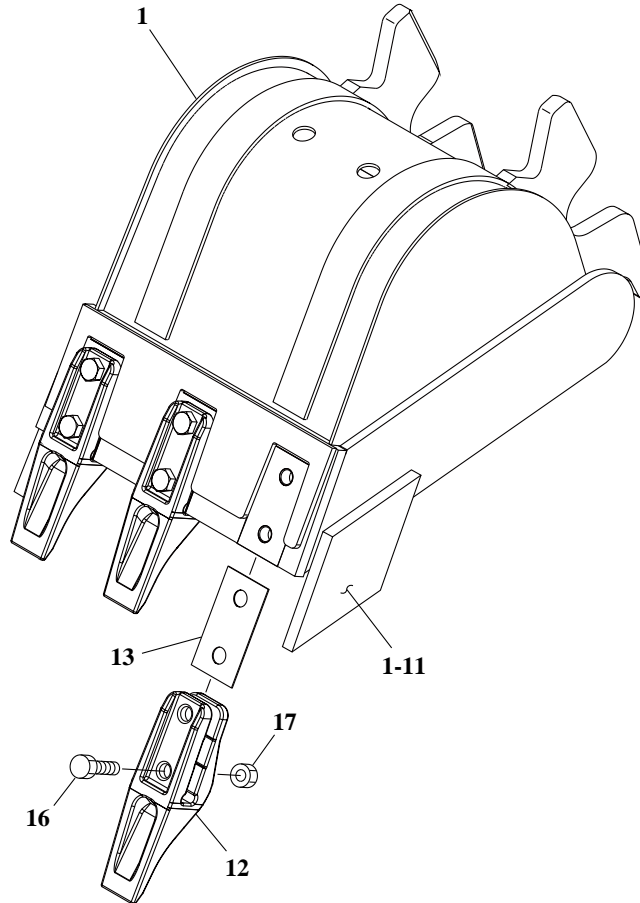
ARM

| Item List | | | | | | | |
|-----------|-------------|------|------------------|------|---------|---------------|--------------|
| Item | Part Number | Lev. | Description | Q'ty | Compat. | Serial Number | Mod. Remarks |
| 1 | 00561-30100 | | ARM | 1 | | | |
| 1-21 | 00023-30040 | . | BUSHING | 6 | | | |
| 1-22 | 14322-00030 | . | SEAL, dust | 6 | | | |
| 2 | 00561-30200 | | ELBOW | 2 | | | |
| 3 | 04261-09600 | | LINK, guide | 1 | | | |
| 4 | 03361-11400 | | LINK, guide | 1 | | | |
| 5 | 03361-11300 | | ARM, link | 1 | | | |
| 5-5 | 00021-30022 | . | BUSHING | 2 | | | |
| 5-6 | 00023-30040 | . | BUSHING | 2 | | | |
| 5-7 | 14322-00030 | . | SEAL, dust | 6 | | | |
| 6 | 00119-01004 | | PIN | 2 | | | |
| 7 | 00016-91003 | | PIN | 2 | | | |
| 8 | 11030-40860 | | BOLT | 2 | | | |
| 9 | 11302-40008 | | NUT | 8 | | | |
| 10 | 14329-00045 | | O-RING | 4 | | | |
| 11 | 19000-67100 | | CYLINDER, bucket | 1 | | | |
| 12 | 19381-26065 | | HOSE ASSY | 2 | | | |
| 13 | 19383-12054 | | HOSE ASSY | 2 | | | |
| 14 | 04261-09800 | | SHIM | 0 | | | t=1.0mm |
| 15 | 15600-01000 | | ADAPTOR | 4 | | | |
| 16 | 00039-00012 | | WASHER | 2 | | | |
| 17 | 11326-20024 | | NUT | 2 | | | |
| 18 | 12100-00545 | | PIN, split | 2 | | | |
| 19 | 15166-00004 | | SOCKET | 2 | | 22001~22016 | |
| 19 | 15166-00004 | | SOCKET | 1 | | 22017~ | |
| 20 | 15166-91004 | | PLUG | 2 | | 22001~22016 | |
| 20 | 15166-92004 | | PLUG | 1 | (H) | 22017~ | |

ARM

| | | | | | | |
|----|-------------|--|----------------|---|-------------|--|
| 21 | 11000-40845 | | BOLT | 4 | | |
| 22 | 11400-20008 | | WASHER, spring | 5 | | |
| 23 | 00562-20200 | | BRACKET | 1 | | |
| 24 | 00562-20400 | | CYLINDER, lock | 1 | | |
| 25 | 00016-71005 | | PIN | 2 | | |
| 26 | 11000-41465 | | BOLT | 2 | 22001~22019 | |
| 26 | 11000-41480 | | BOLT | 2 | 22020~ | |
| 27 | 11417-00014 | | WASHER | 4 | | |
| 28 | 11030-40865 | | BOLT | 2 | 22026~ | |
| 30 | 00561-30300 | | COVER | 1 | 22017~ | |
| 31 | 15167-00004 | | PLUG | 1 | 22017~ | |
| 32 | 15167-92004 | | CAP | 1 | 22017~ | |
| 33 | 11000-40816 | | Bolt | 1 | 22017~ | |
| 35 | 04261-06100 | | PIN | 2 | 22001~22025 | |
| 36 | 04261-06200 | | RING | 2 | 22001~22025 | |
| 37 | 00561-30500 | | PLATE | 2 | 22020~ | |
| 38 | 11000-41235 | | BOLT | 2 | 22020~ | |
| 39 | 11400-20012 | | WASHER | 2 | 22020~ | |
| 40 | 11000-40612 | | Bolt | 2 | 22026~ | |
| 41 | 11411-10006 | | Plain Washer | 2 | 22026~ | |

BUCKET



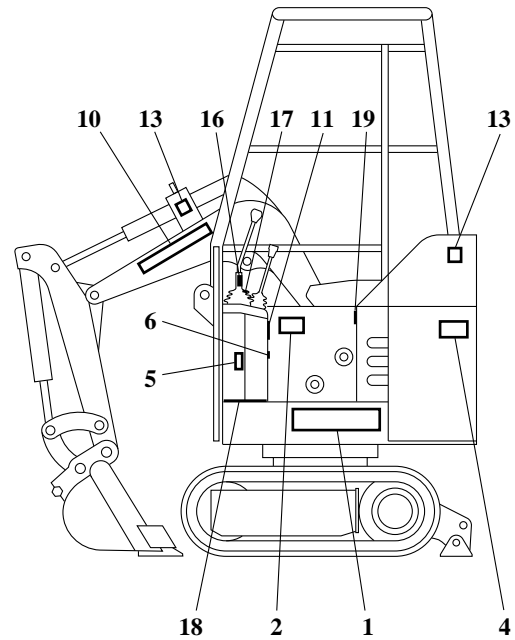
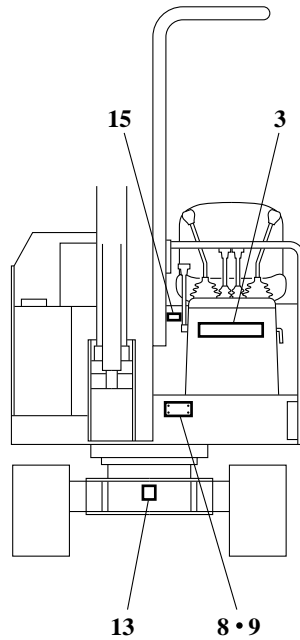
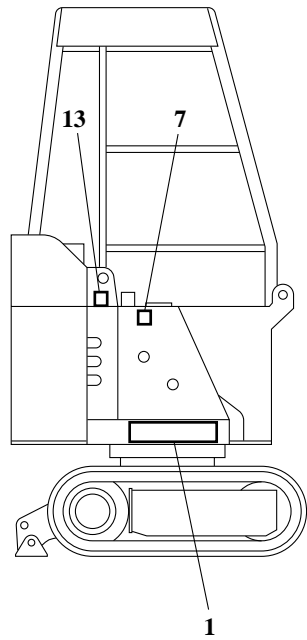
X7F040

S=1/7

BUCKET

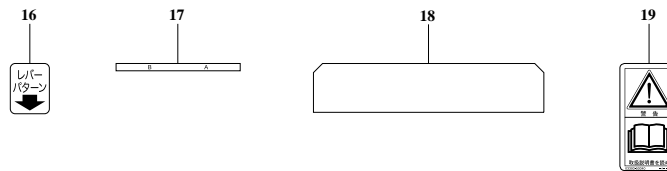
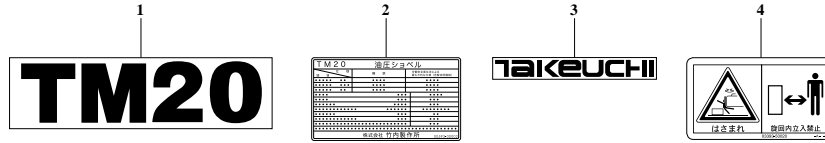
| Item List | | | | | | | |
|-----------|-------------|------|-------------------|------|---------|---------------|--------------|
| Item | Part Number | Lev. | Description | Q'ty | Compat. | Serial Number | Mod. Remarks |
| 0-1 | 00562-21400 | | BUCKET ASSY(350W) | 1 | | | |
| 1 | *****_***** | . | NOT FOR SALE | 1 | | | |
| 1-11 | 03562-00105 | .. | CUTTER, side | 2 | | | |
| 12 | 01362-09900 | . | TOOTH | 3 | | | |
| 13 | 01362-09801 | . | SHIM | 0 | | | t=0.8mm |
| 13 | 01362-09802 | . | SHIM | 0 | | | t=1.0mm |
| 13 | 01362-09803 | . | SHIM | 0 | | | t=1.2mm |
| 16 | 11010-51245 | . | BOLT | 6 | | | |
| 17 | 11305-50012 | . | NUT | 6 | | | |

DECAL (TM20-2)



X7G010a

S=free



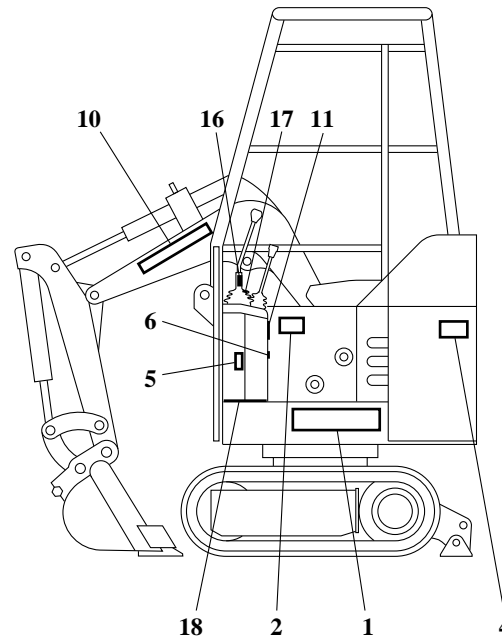
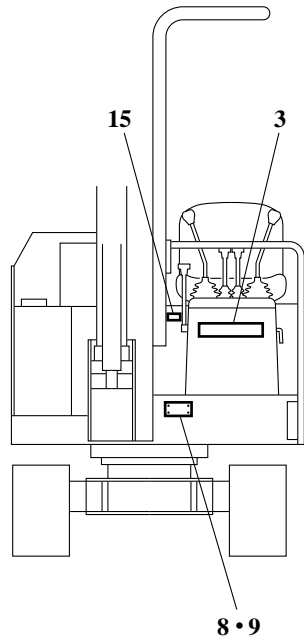
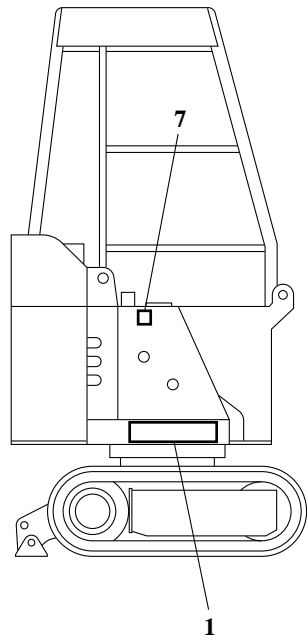
X7G010b

5/100

DECAL(TM20-2)

| Item List | | | | | | | | |
|-----------|-------------|------|--------------|------|---------|---------------|------|---------|
| Item | Part Number | Lev. | Description | Q'ty | Compat. | Serial Number | Mod. | Remarks |
| 0 | 00593-32000 | | DECAL SET | 1 | | | | |
| 1 | 00593-32100 | . | DECAL | 2 | | | | |
| 2 | 00593-32500 | . | DECAL | 1 | | 22001~# | | |
| 2 | 00593-00002 | . | DECAL | 1 | (H) | #~ | | |
| 3 | 03593-06200 | . | DECAL | 1 | | | | |
| 4 | 03393-50020 | . | DECAL | 1 | | | | |
| 5 | 03293-52300 | . | DECAL | 1 | | | | |
| 6 | 03593-25250 | . | DECAL | 1 | | | | |
| 7 | 03593-06700 | . | Decal | 1 | | | | |
| 8 | *****_***** | . | NOT FOR SALE | 1 | | | | |
| 9 | *****_***** | . | NOT FOR SALE | 4 | | | | |
| 10 | 03293-50200 | . | DECAL | 2 | | | | |
| 11 | 00593-31300 | . | DECAL | 1 | | | | |
| 13 | 00593-32300 | . | DECAL | 4 | | | | |
| 15 | *****_***** | . | NOT FOR SALE | 1 | | | | |
| 16 | 04332-16800 | . | DECAL | 1 | | | | |
| 17 | 03293-60090 | . | DECAL | 1 | | | | |
| 18 | 04132-08400 | . | DECAL | 1 | | | | |
| 19 | 03393-50040 | . | DECAL | 1 | | 22171~ | | |

DECAL (AT20MS)



X7G020a

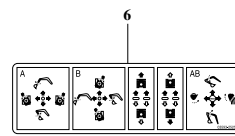
S=free

1
AT20ms

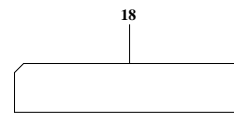
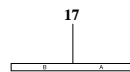
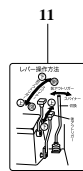
2

| AT20MS 取扱説明書 | |
|--------------|-----|
| 1 | 1 |
| 2 | 2 |
| 3 | 3 |
| 4 | 4 |
| 5 | 5 |
| 6 | 6 |
| 7 | 7 |
| 8 | 8 |
| 9 | 9 |
| 10 | 10 |
| 11 | 11 |
| 12 | 12 |
| 13 | 13 |
| 14 | 14 |
| 15 | 15 |
| 16 | 16 |
| 17 | 17 |
| 18 | 18 |
| 19 | 19 |
| 20 | 20 |
| 21 | 21 |
| 22 | 22 |
| 23 | 23 |
| 24 | 24 |
| 25 | 25 |
| 26 | 26 |
| 27 | 27 |
| 28 | 28 |
| 29 | 29 |
| 30 | 30 |
| 31 | 31 |
| 32 | 32 |
| 33 | 33 |
| 34 | 34 |
| 35 | 35 |
| 36 | 36 |
| 37 | 37 |
| 38 | 38 |
| 39 | 39 |
| 40 | 40 |
| 41 | 41 |
| 42 | 42 |
| 43 | 43 |
| 44 | 44 |
| 45 | 45 |
| 46 | 46 |
| 47 | 47 |
| 48 | 48 |
| 49 | 49 |
| 50 | 50 |
| 51 | 51 |
| 52 | 52 |
| 53 | 53 |
| 54 | 54 |
| 55 | 55 |
| 56 | 56 |
| 57 | 57 |
| 58 | 58 |
| 59 | 59 |
| 60 | 60 |
| 61 | 61 |
| 62 | 62 |
| 63 | 63 |
| 64 | 64 |
| 65 | 65 |
| 66 | 66 |
| 67 | 67 |
| 68 | 68 |
| 69 | 69 |
| 70 | 70 |
| 71 | 71 |
| 72 | 72 |
| 73 | 73 |
| 74 | 74 |
| 75 | 75 |
| 76 | 76 |
| 77 | 77 |
| 78 | 78 |
| 79 | 79 |
| 80 | 80 |
| 81 | 81 |
| 82 | 82 |
| 83 | 83 |
| 84 | 84 |
| 85 | 85 |
| 86 | 86 |
| 87 | 87 |
| 88 | 88 |
| 89 | 89 |
| 90 | 90 |
| 91 | 91 |
| 92 | 92 |
| 93 | 93 |
| 94 | 94 |
| 95 | 95 |
| 96 | 96 |
| 97 | 97 |
| 98 | 98 |
| 99 | 99 |
| 100 | 100 |

3
TAKEUCHI



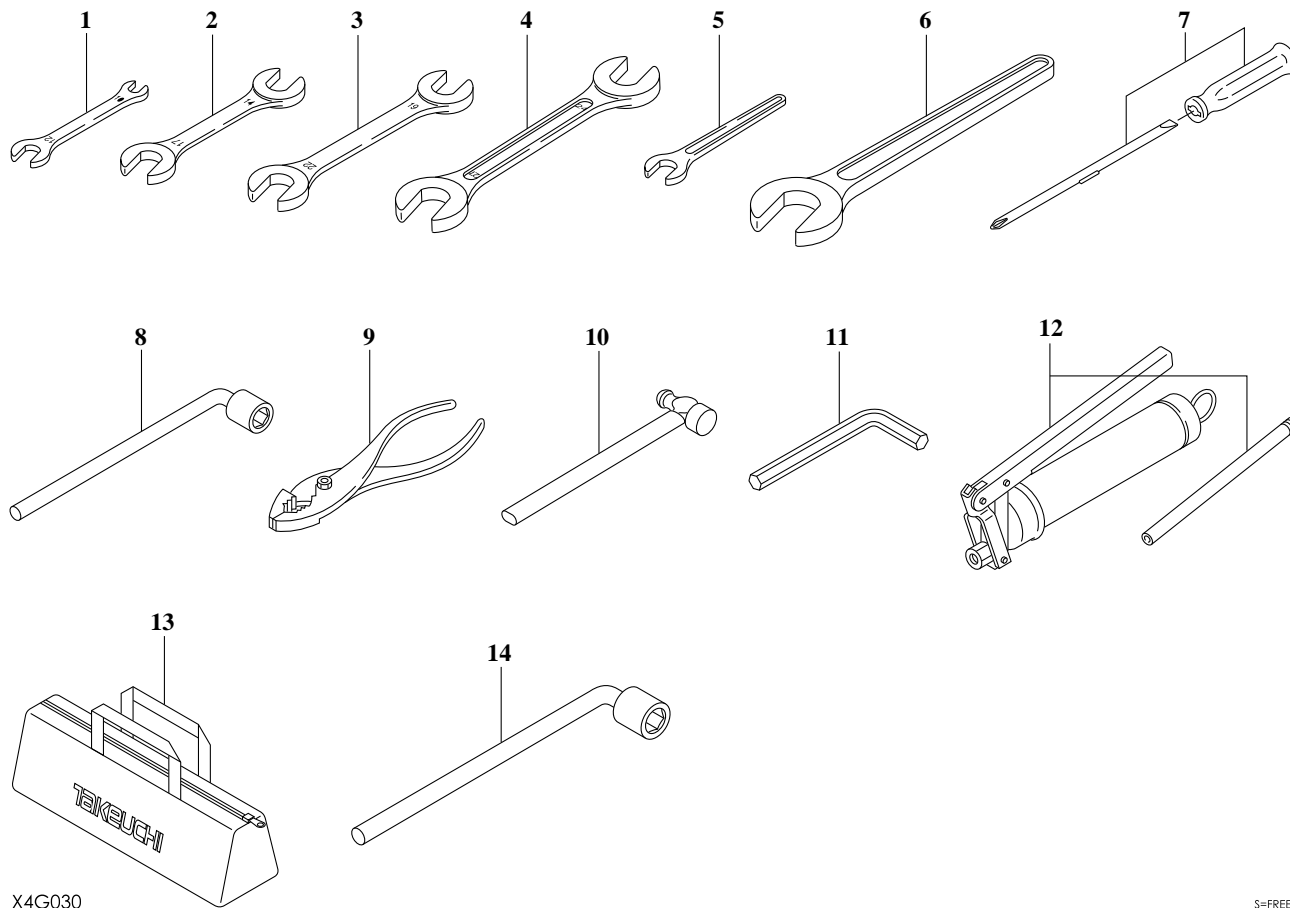
10
TAKEUCHI



DECAL(AT20MS)

| Item List | | | | | | | | |
|-----------|-------------|------|--------------|------|---------|---------------|------|---------|
| Item | Part Number | Lev. | Description | Q'ty | Compat. | Serial Number | Mod. | Remarks |
| 0 | 00593-31000 | | DECAL SET | 1 | | | | |
| 1 | 00593-31100 | . | DECAL | 2 | | | | |
| 2 | 00593-31500 | . | DECAL | 1 | | 22001~# | | |
| 2 | 00593-00001 | . | DECAL | 1 | (H) | #~ | | |
| 3 | 03593-06200 | . | DECAL | 1 | | | | |
| 4 | 03393-50020 | . | DECAL | 1 | | | | |
| 5 | 03293-52300 | . | DECAL | 1 | | | | |
| 6 | 03593-25250 | . | DECAL | 1 | | | | |
| 7 | 03593-06700 | . | Decal | 1 | | | | |
| 8 | *****_***** | . | NOT FOR SALE | 1 | | | | |
| 9 | *****_***** | . | NOT FOR SALE | 4 | | | | |
| 10 | 03293-50200 | . | DECAL | 2 | | | | |
| 11 | 00593-31300 | . | DECAL | 1 | | | | |
| 15 | *****_***** | . | NOT FOR SALE | 1 | | | | |
| 16 | 04332-16800 | . | DECAL | 1 | | | | |
| 17 | 03293-60090 | . | DECAL | 1 | | | | |
| 18 | 04132-08400 | . | DECAL | 1 | | | | |

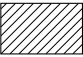
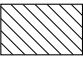

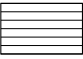
TOOL & ACCESSORIES

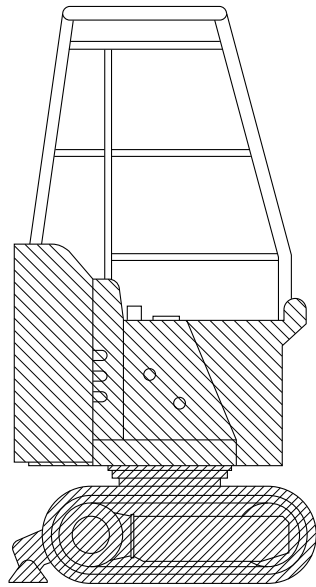


TOOL & ACCESSORIES

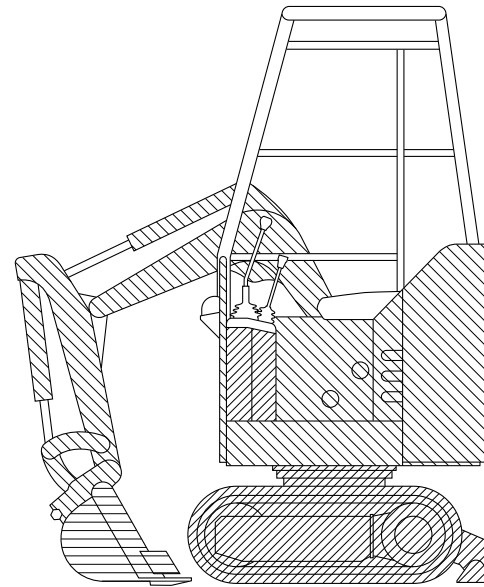
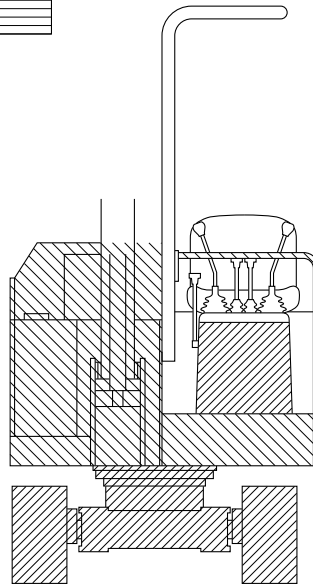
| Item List | | | | | | | | |
|-----------|-------------|------|------------------|------|---------|---------------|------|---------|
| Item | Part Number | Lev. | Description | Q'ty | Compat. | Serial Number | Mod. | Remarks |
| | 00592-22000 | | TOOL SET | 0 | | | | |
| 1 | 16900-01012 | . | SPANNER | 1 | | | | |
| 2 | 16900-01417 | . | SPANNER | 1 | | | | |
| 3 | 16900-01922 | . | SPANNER | 1 | | | | |
| 4 | 16900-02427 | . | SPANNER | 1 | | | | |
| 5 | 16901-00013 | . | SPANNER | 1 | | | | |
| 6 | 16901-00032 | . | SPANNER | 1 | | | | |
| 7 | 16902-20098 | . | DRIVER | 1 | | | | |
| 8 | 16908-30019 | . | WRENCH, hex | 1 | | | | |
| 9 | 16905-00200 | . | PLIER | 1 | | | | |
| 10 | 16903-00330 | . | HAMMER | 1 | | | | |
| 11 | 16906-00500 | . | WRENCH | 1 | | | | |
| 12 | 16910-10800 | . | GUN ASSY, grease | 1 | | | | |
| 13 | 16914-00005 | . | CASE, tool | 1 | | | | |
| 14 | 16908-30022 | . | WRENCH, hex | 1 | | | | |

PAINTED COLOR

- ① 
- ② 
- ③ 
- ④ 



X4G040

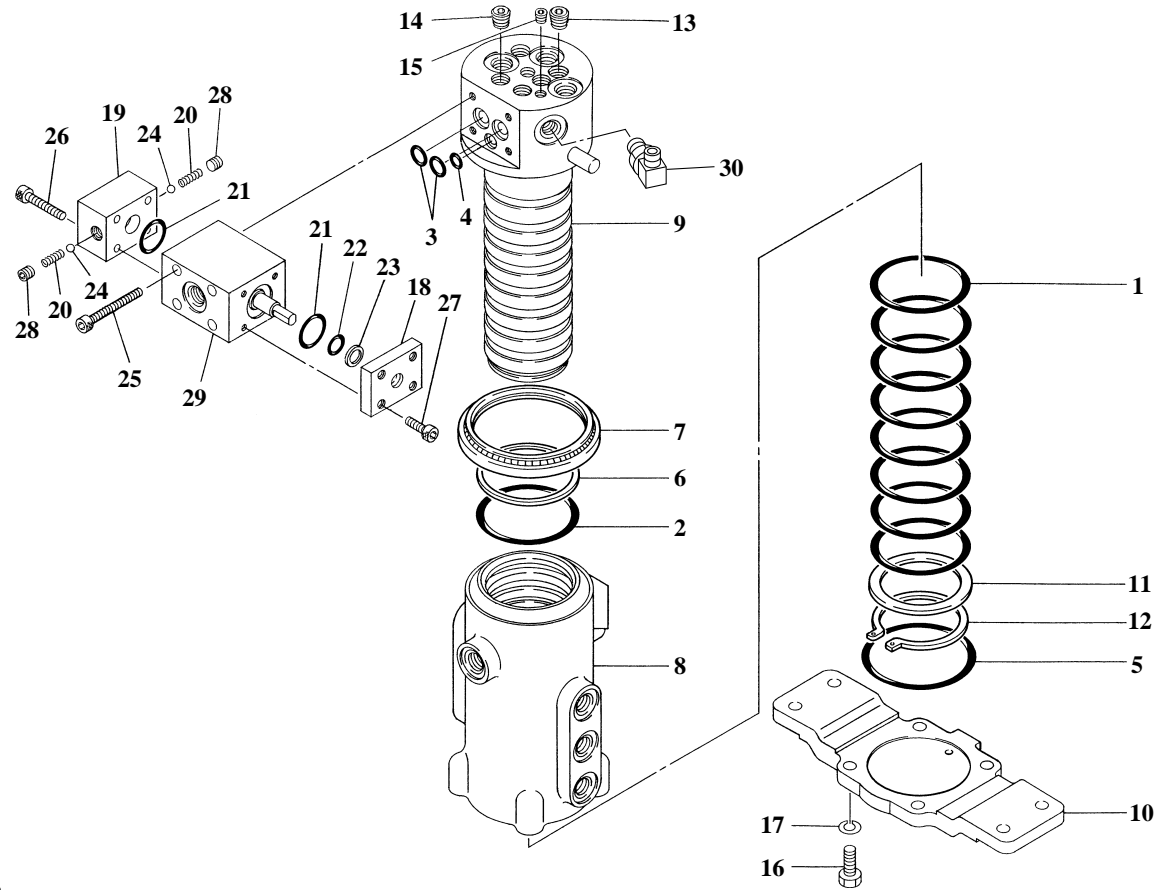


S=free

PAINTED COLOR

| Item List | | | | | | | | |
|-----------|-------------|------|-------------|------|---------|---------------|------|--------------|
| Item | Part Number | Lev. | Description | Q'ty | Compat. | Serial Number | Mod. | Remarks |
| 1 | 19190-60014 | | TH Brown | 1 | | | | For Takeuchi |
| 1 | 19190-60014 | | TH Brown | 1 | | | | For Enix |
| 2 | 19190-60137 | | BLUE GREEN | 1 | | | | For Takeuchi |
| 2 | 19190-60137 | | BLUE GREEN | 1 | | | | For Enix |
| 3 | 19190-60142 | | LIGHT GRAY | 1 | | | | For Takeuchi |
| 3 | 19190-69142 | | CREAM WHITE | 1 | | | | For Enix |
| 4 | 19190-60137 | | BLUE GREEN | 1 | | | | For Takeuchi |
| 4 | 19190-60137 | | BLUE GREEN | 1 | | | | For Enix |

SWIVEL JOINT



B8H010

S=free

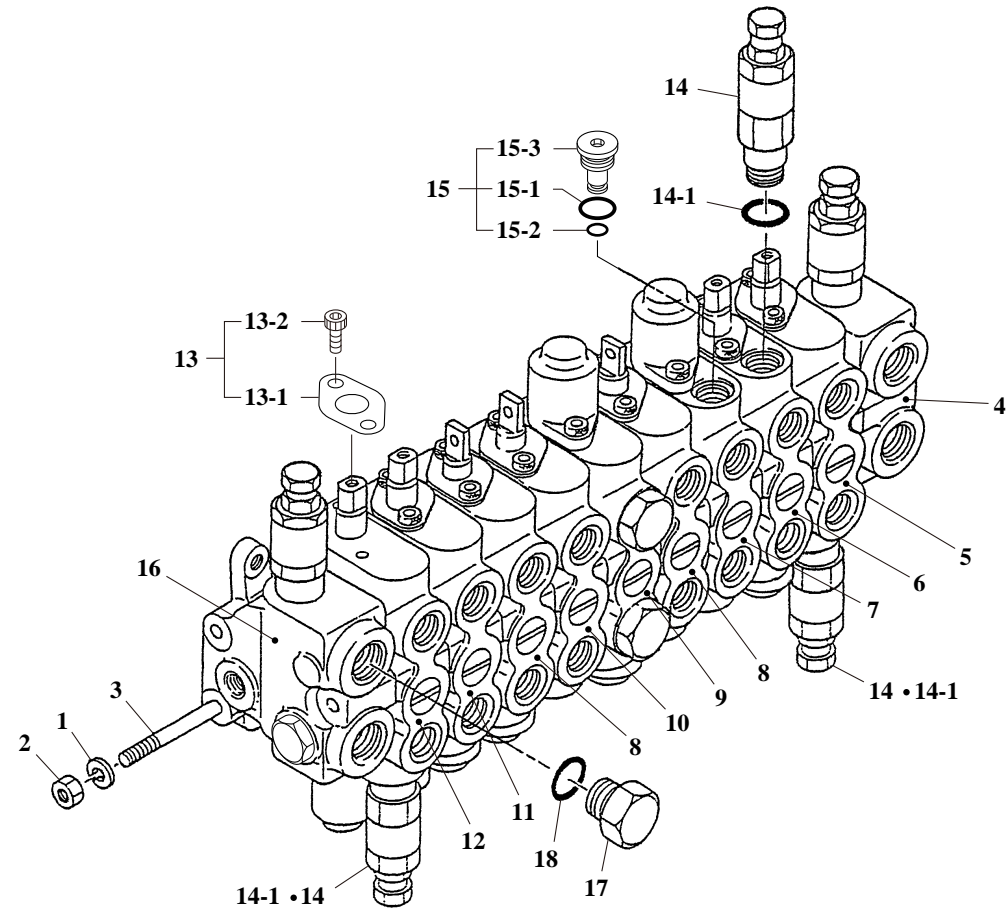
SWIVEL JOINT

| Item List | | | | | | | | |
|-----------|-------------|------|-----------------|------|---------|---------------|------|---------|
| Item | Part Number | Lev. | Description | Q'ty | Compat. | Serial Number | Mod. | Remarks |
| 0 | 19040-07100 | | JOINT, swivel | 1 | | | | |
| 0-1 | 19040-07099 | . | KIT, seal | 1 | | | | |
| 1 | 19040-06406 | .. | SEAL, slipper | 8 | | | | |
| 2 | 14200-10600 | .. | O-RING | 1 | | | | |
| 3 | 14200-10090 | .. | O-RING | 2 | | | | |
| 4 | 14200-10050 | .. | O-RING | 1 | | | | |
| 5 | 14203-10040 | .. | O-RING | 1 | | | | |
| 6 | 14210-30600 | .. | RING, back-up | 1 | | | | |
| 7 | 19040-01695 | .. | SEAL, dust | 1 | | | | |
| 8 | *****_***** | . | NOT FOR SALE | 1 | | | | |
| 9 | *****_***** | . | NOT FOR SALE | 1 | | | | |
| 10 | *****_***** | . | NOT FOR SALE | 1 | | | | |
| 11 | *****_***** | . | NOT FOR SALE | 1 | | | | |
| 12 | 12200-00055 | . | RING, retaining | 1 | | | | |
| 13 | 15018-10002 | . | PLUG | 2 | | | | |
| 14 | 15018-10001 | . | PLUG | 3 | | | | |
| 15 | 15018-10000 | . | PLUG | 1 | | | | |
| 16 | 11000-50825 | . | BOLT | 4 | | | | |
| 17 | 11400-10008 | . | WASHER, spring | 4 | | | | |
| 0-2 | 19041-00200 | . | SELECTOR | 1 | | | | |
| 18 | *****_***** | .. | NOT FOR SALE | 1 | | | | |
| 19 | *****_***** | .. | NOT FOR SALE | 1 | | | | |
| 20 | *****_***** | .. | NOT FOR SALE | 2 | | | | |
| 21 | 14200-10220 | .. | O-RING | 2 | | | | |
| 22 | 14200-00100 | .. | O-RING | 1 | | | | |
| 23 | 14210-20100 | .. | RING, back-up | 1 | | | | |
| 24 | 13900-10350 | .. | BALL, steel | 2 | | | | |

SWIVEL JOINT

| | | | | | | | |
|----|-------------|----|--------------|---|--|--|--|
| 25 | 11100-40555 | .. | BOLT | 4 | | | |
| 26 | 11100-40530 | .. | SCREW, cap | 4 | | | |
| 27 | 11100-40516 | .. | SCREW, cap | 4 | | | |
| 28 | 15018-10000 | .. | PLUG | 2 | | | |
| 29 | *****_***** | .. | NOT FOR SALE | 1 | | | |
| 30 | 15150-10040 | . | ELBOW | 1 | | | |
| | 14200-10110 | .. | O-RING | 1 | | | |

CONTROL VALVE



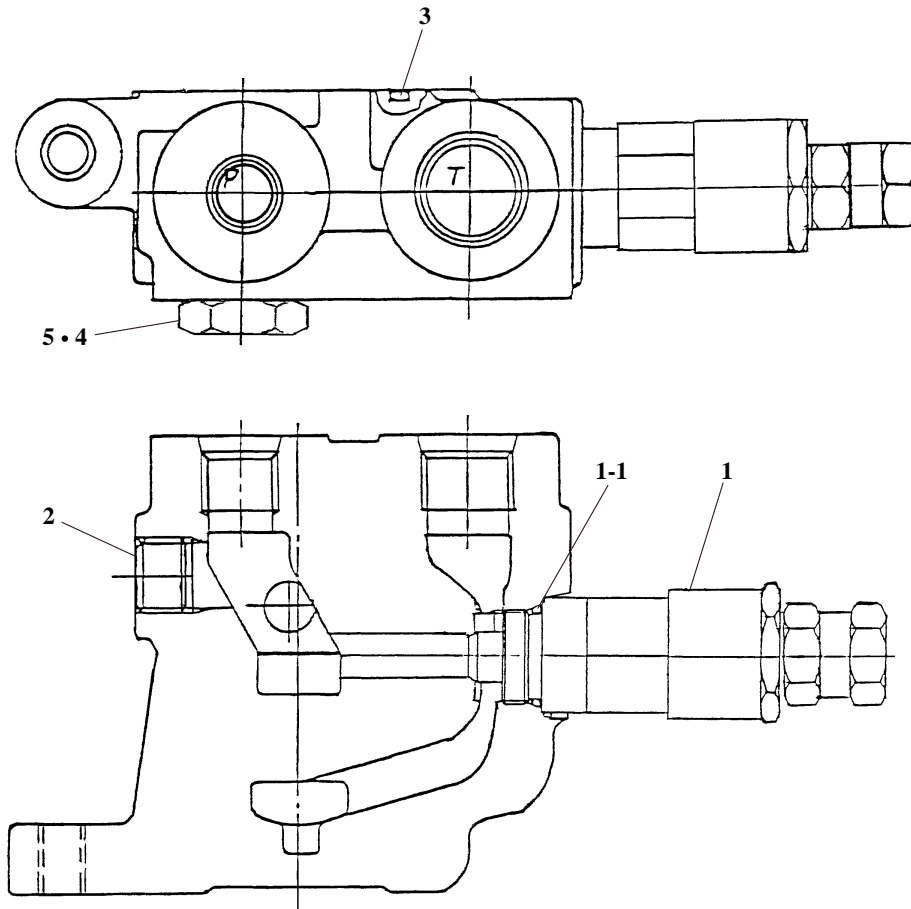
X4H020

S=FREE

CONTROL VALVE

| Item List | | | | | | | |
|-----------|-------------|------|----------------|------|---------|---------------|---------------|
| Item | Part Number | Lev. | Description | Q'ty | Compat. | Serial Number | Mod. Remarks |
| 0 | 19010-32100 | | VALVE, control | 1 | | | |
| 1 | 11400-10008 | . | WASHER, spring | 3 | | | |
| 2 | 11300-50008 | . | NUT | 3 | | | |
| 3 | 19010-22506 | . | ROD | 3 | | | |
| 4 | *****_***** | . | NOT FOR SALE | 1 | | | |
| 5 | *****_***** | . | NOT FOR SALE | 1 | | | bucket |
| 6 | *****_***** | . | NOT FOR SALE | 1 | | | boom |
| 7 | *****_***** | . | NOT FOR SALE | 1 | | | Outrigger |
| 8 | *****_***** | . | NOT FOR SALE | 2 | | | traction |
| 9 | *****_***** | . | NOT FOR SALE | 1 | | | service |
| 10 | *****_***** | . | NOT FOR SALE | 1 | | | SpanOutrigger |
| 11 | *****_***** | . | NOT FOR SALE | 1 | | | slew |
| 12 | *****_***** | . | NOT FOR SALE | 1 | | | arm |
| 13 | *****_***** | . | NOT FOR SALE | 9 | | | |
| 13-1 | 19010-22541 | .. | BLOCK | 1 | | | |
| 13-2 | 11100-50508 | .. | SCREW, cap | 2 | | | |
| 14 | 19010-32022 | . | VALVE, relief | 3 | | | |
| 14-1 | 14200-00140 | .. | O-RING | 1 | | | |
| 15 | 19010-32170 | . | PLUG ASSY | 1 | | | |
| 15-1 | 14200-00140 | .. | O-RING | 1 | | | |
| 15-2 | 19010-32180 | .. | O-RING | 1 | | | |
| 15-3 | 19010-32171 | .. | PLUG | 1 | | | |
| 16 | 19010-25127 | . | COVER, inlet | 1 | | | |
| 17 | 19010-22670 | . | PLUG | 3 | | | |
| 18 | 14200-10140 | . | O-RING | 3 | | | |

INLET COVER 1



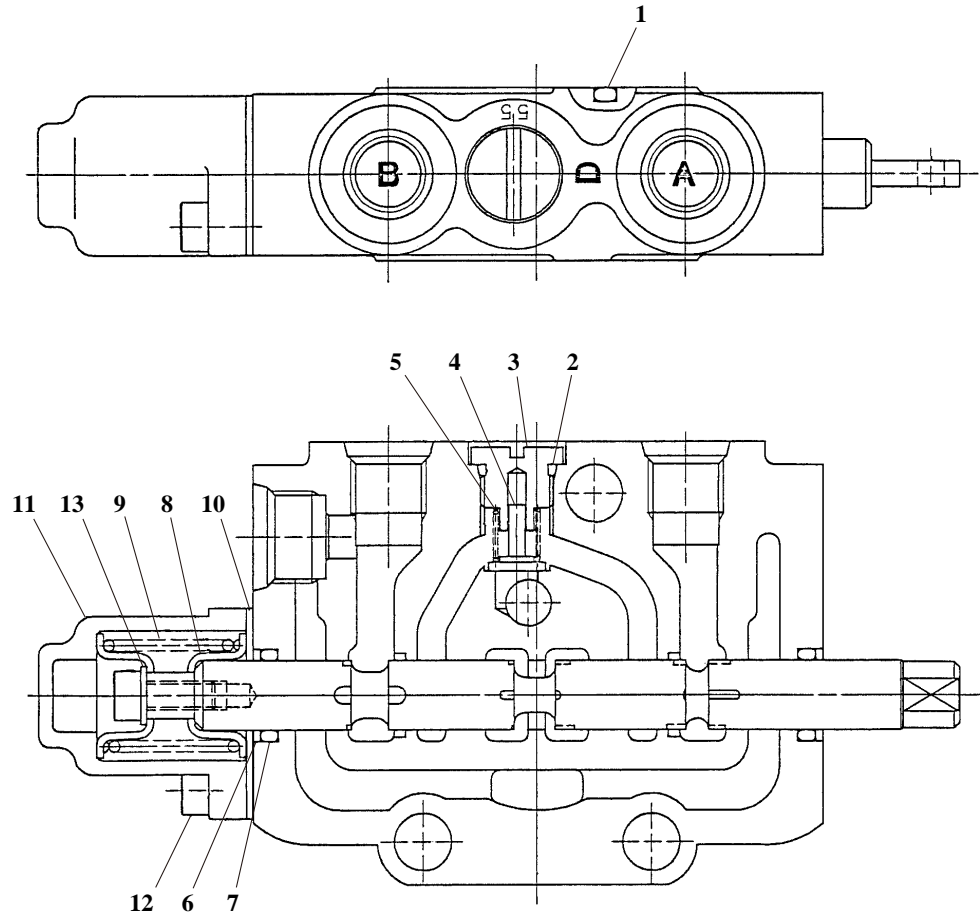
X4H030

S=FREE

INLET COVER 1

| Item List | | | | | | | | |
|-----------|-------------|------|---------------|------|---------|---------------|------|---------|
| Item | Part Number | Lev. | Description | Q'ty | Compat. | Serial Number | Mod. | Remarks |
| 0 | *****_***** | | NOT FOR SALE | 1 | | | | T1, P1 |
| 1 | 19010-32021 | . | VALVE, relief | 1 | | | | |
| 1-1 | 14200-00140 | .. | O-RING | 1 | | | | |
| 2 | 15018-10002 | . | PLUG | 1 | | | | |
| 3 | 14201-00400 | . | O RING | 1 | | | | |
| 4 | 19010-25193 | . | PLUG | 1 | | | | |
| 5 | 14200-10110 | . | O-RING | 1 | | | | |

BLOCK ASSY; No. 1



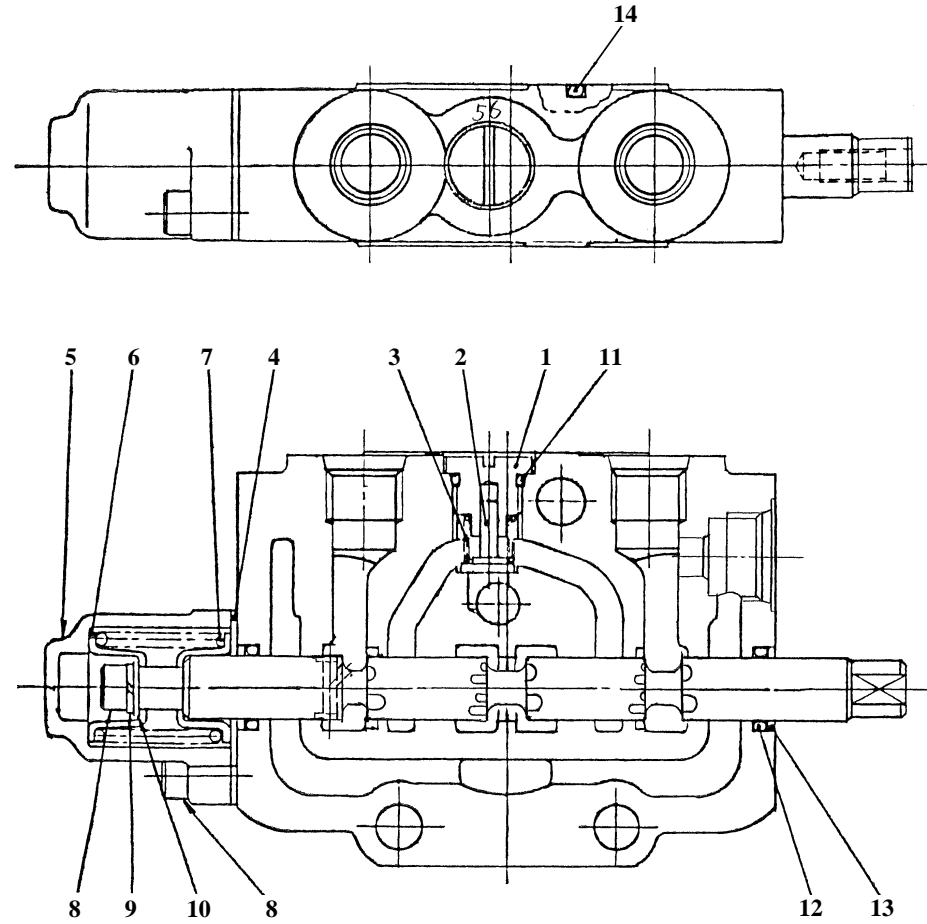
X4H040

S=FREE

BLOCK ASSY; No. 1

| Item List | | | | | | | | |
|-----------|-------------|------|--------------|------|---------|---------------|------|---------|
| Item | Part Number | Lev. | Description | Q'ty | Compat. | Serial Number | Mod. | Remarks |
| 0 | *****_***** | | NOT FOR SALE | 1 | | | | bucket |
| 1 | 14201-00400 | . | O RING | 1 | | | | |
| 2 | 14203-10905 | . | O-RING | 1 | | | | |
| 3 | 19010-22590 | . | PLUG | 1 | | | | |
| 4 | 19010-22566 | . | VALVE, check | 1 | | | | |
| 5 | 19010-22557 | . | SPRING | 1 | | | | |
| 6 | 14210-30120 | . | RING, backup | 2 | | | | |
| 7 | 19010-29081 | . | O-RING | 2 | | | | |
| 8 | 19010-22551 | . | COLLAR | 1 | | | | |
| 9 | 19010-22556 | . | SPRING | 2 | | | | |
| 10 | 19010-22541 | . | BLOCK | 1 | | | | |
| 11 | 19010-22561 | . | CAP | 1 | | | | |
| 12 | 11100-50514 | . | SCREW, cap | 1 | | | | |
| 13 | 11115-50512 | . | BOLT, sems | 1 | | | | |

BLOCK ASSY; No. 2

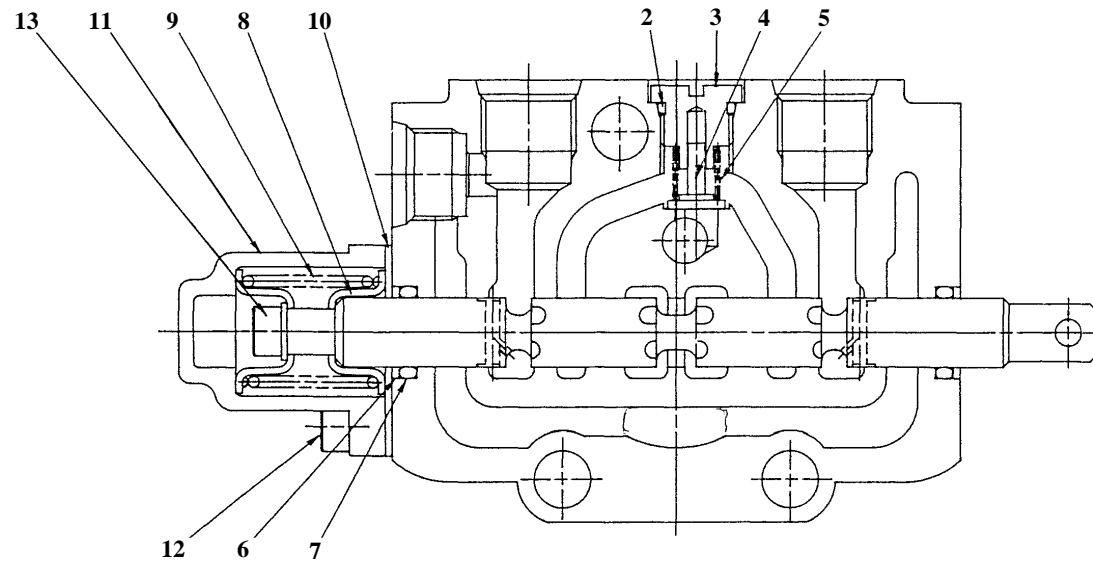
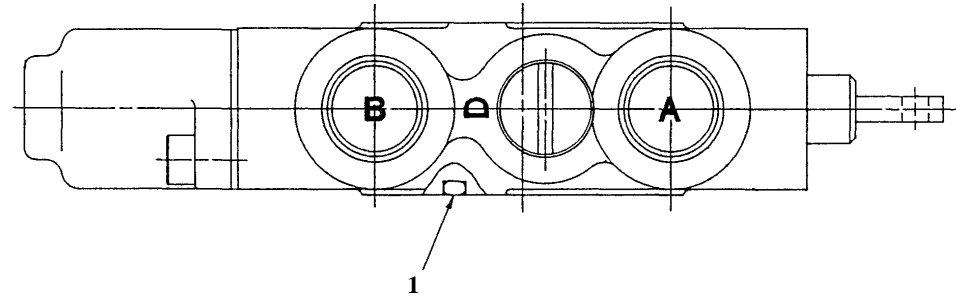


X4H050

S=FREE

BLOCK ASSY; No. 2

| Item List | | | | | | | | |
|-----------|-------------|------|----------------|------|---------|---------------|------|---------|
| Item | Part Number | Lev. | Description | Q'ty | Compat. | Serial Number | Mod. | Remarks |
| 0-12 | *****-***** | | NOT FOR SALE | 1 | | | | boom |
| 1 | 19010-22590 | . | PLUG | 1 | | | | |
| 2 | 19010-22566 | . | VALVE, check | 1 | | | | |
| 3 | 19010-22557 | . | SPRING | 1 | | | | |
| 4 | 19010-22541 | . | BLOCK | 1 | | | | |
| 5 | 19010-22561 | . | CAP | 1 | | | | |
| 6 | 19010-22551 | . | COLLAR | 2 | | | | |
| 7 | 19010-22556 | . | SPRING | 1 | | | | |
| 8 | 11100-50514 | . | SCREW, cap | 3 | | | | |
| 9 | 11400-10005 | . | WASHER, spring | 1 | | | | |
| 10 | 11411-00005 | . | WASHER | 1 | | | | |
| 11 | 14203-10905 | . | O-RING | 1 | | | | |
| 12 | 19010-29081 | . | O-RING | 2 | | | | |
| 13 | 14210-30120 | . | RING, backup | 2 | | | | |
| 14 | 14201-00400 | . | O RING | 1 | | | | |

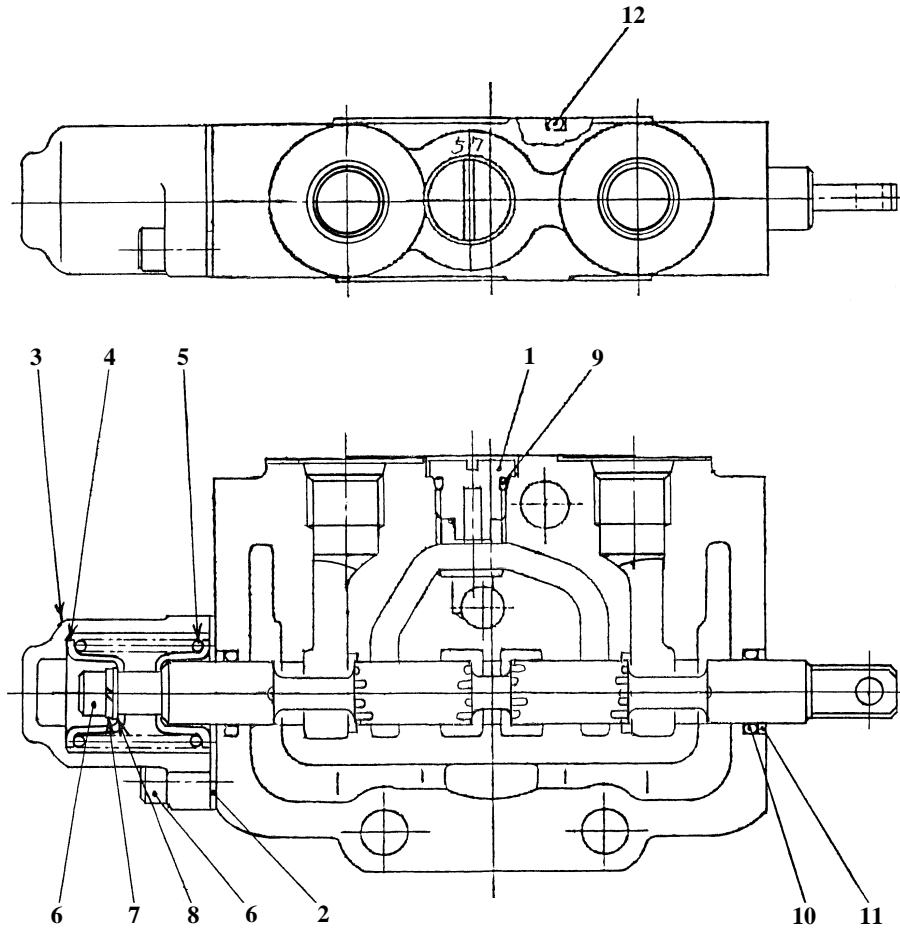


X4H060

S=FREE

BLOCK ASSY; No. 3

| Item List | | | | | | | | |
|-----------|-------------|------|--------------|------|---------|---------------|------|-----------|
| Item | Part Number | Lev. | Description | Q'ty | Compat. | Serial Number | Mod. | Remarks |
| 0-13 | *****-***** | | NOT FOR SALE | 1 | | | | Outrigger |
| 1 | 14201-00400 | . | O RING | 1 | | | | |
| 2 | 14203-10905 | . | O-RING | 1 | | | | |
| 3 | 19010-22590 | . | PLUG | 1 | | | | |
| 4 | 19010-22566 | . | VALVE, check | 1 | | | | |
| 5 | 19010-22557 | . | SPRING | 1 | | | | |
| 6 | 14210-30120 | . | RING, backup | 2 | | | | |
| 7 | 19010-29081 | . | O-RING | 2 | | | | |
| 8 | 19010-22551 | . | COLLAR | 2 | | | | |
| 9 | 19010-22556 | . | SPRING | 1 | | | | |
| 10 | 19010-22541 | . | BLOCK | 1 | | | | |
| 11 | 19010-22561 | . | CAP | 1 | | | | |
| 12 | 11100-50514 | . | SCREW, cap | 2 | | | | |
| 13 | 11115-50514 | . | BOLT, sems | 1 | | | | |



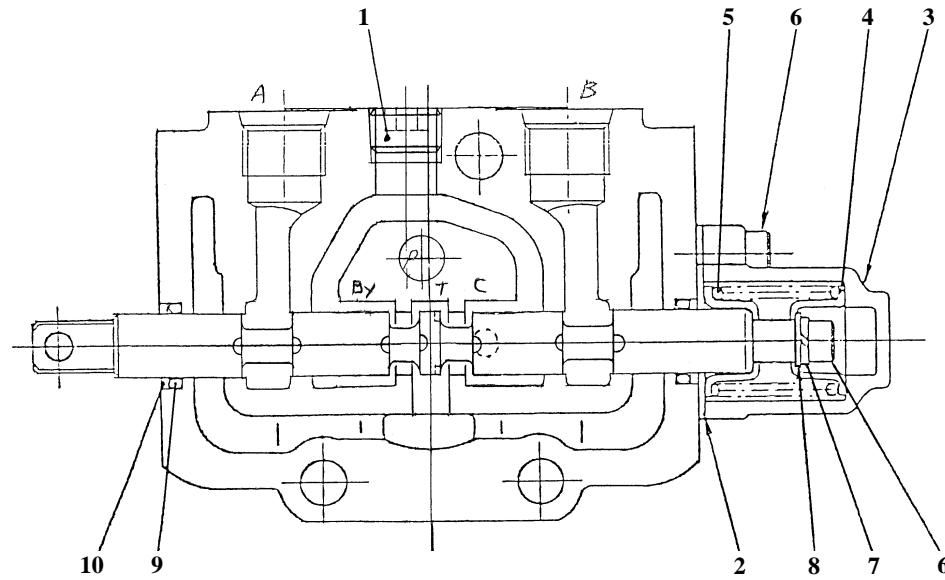
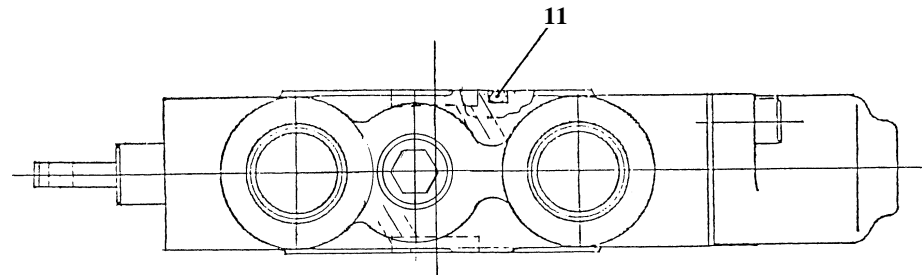
X4H070

S=FREE

BLOCK ASSY; No. 4

| Item List | | | | | | | |
|-----------|-------------|------|----------------|------|---------|---------------|--------------|
| Item | Part Number | Lev. | Description | Q'ty | Compat. | Serial Number | Mod. Remarks |
| 0-14 | *****-***** | | NOT FOR SALE | 2 | | | traction |
| 1 | 19010-22590 | . | PLUG | 1 | | | |
| 2 | 19010-22541 | . | BLOCK | 1 | | | |
| 3 | 19010-22561 | . | CAP | 1 | | | |
| 4 | 19010-22551 | . | COLLAR | 2 | | | |
| 5 | 19010-22556 | . | SPRING | 1 | | | |
| 6 | 11100-50514 | . | SCREW, cap | 3 | | | |
| 7 | 11400-10005 | . | WASHER, spring | 1 | | | |
| 8 | 11411-00005 | . | WASHER | 1 | | | |
| 9 | 14203-10905 | . | O-RING | 1 | | | |
| 10 | 19010-29081 | . | O-RING | 2 | | | |
| 11 | 14210-30120 | . | RING, backup | 2 | | | |
| 12 | 14201-00400 | . | O RING | 1 | | | |

BLOCK ASSY; No. 5

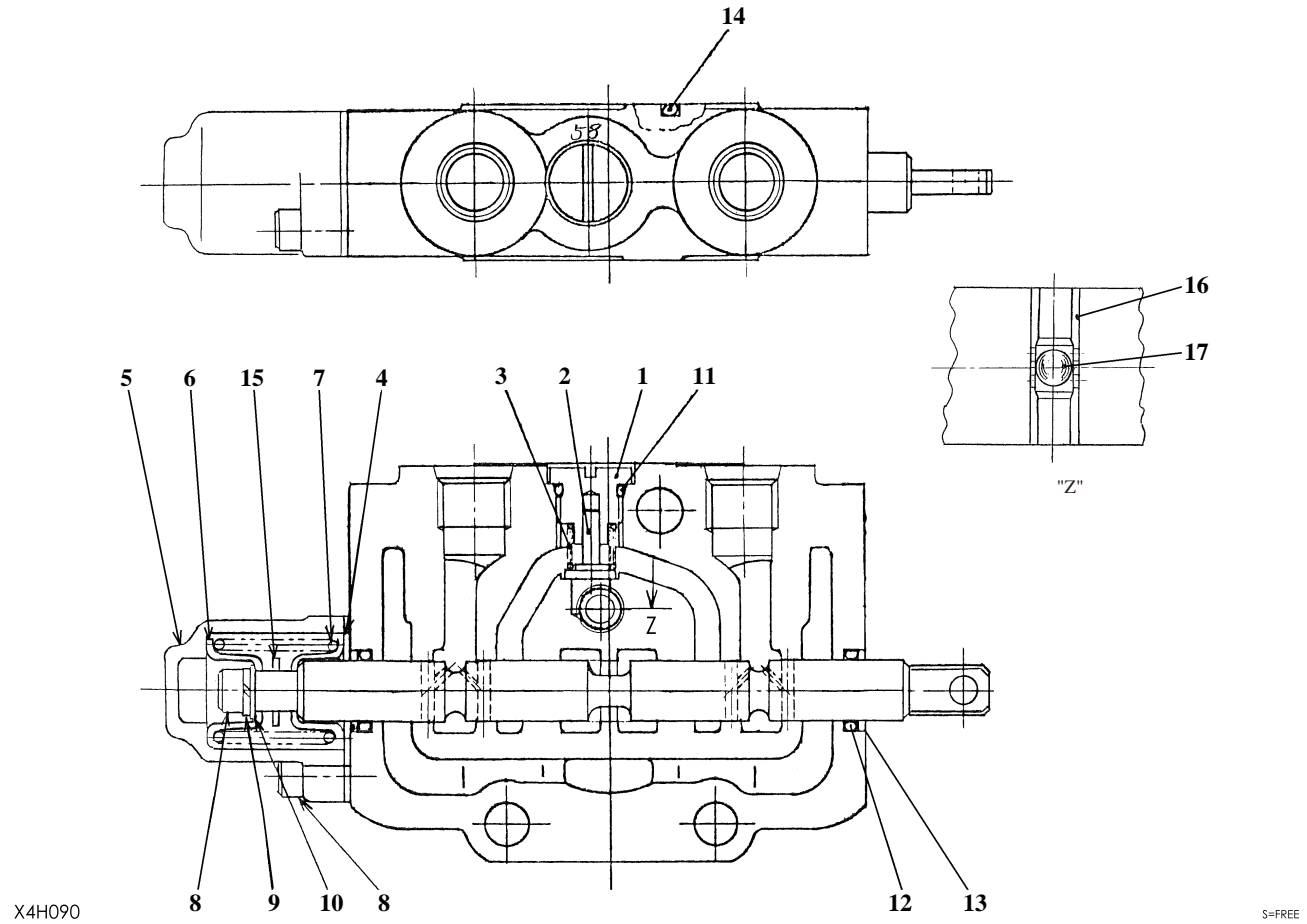


X4H080

S=FREE

BLOCK ASSY; No. 5

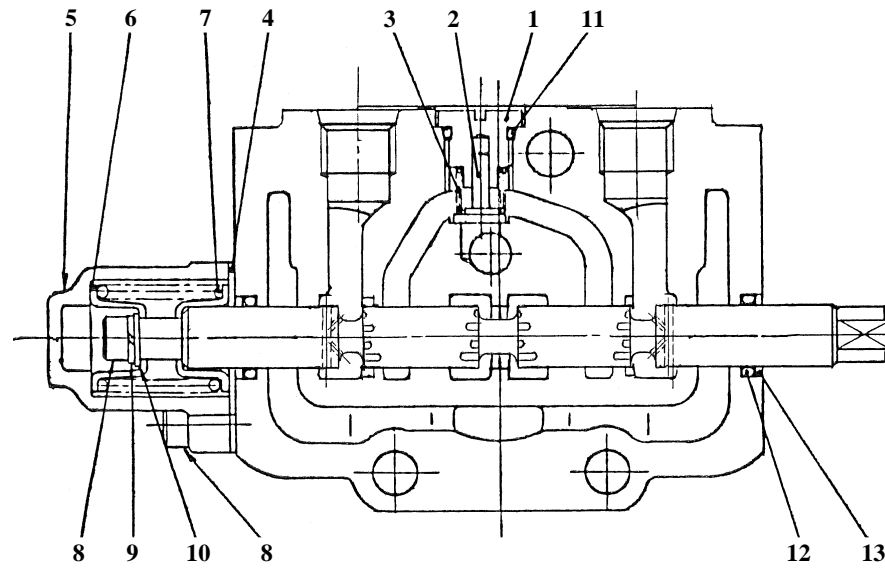
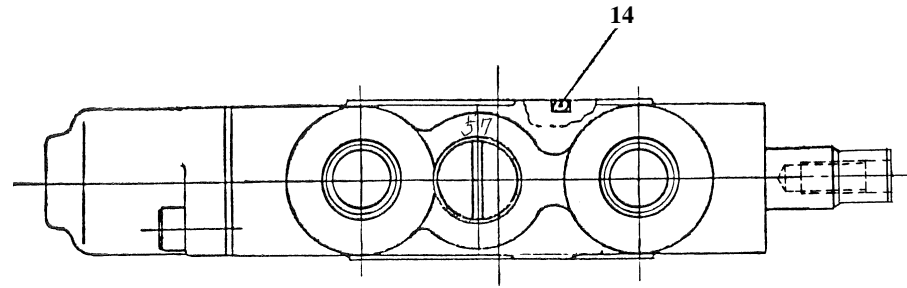
| Item List | | | | | | | |
|-----------|-------------|------|----------------|------|---------|---------------|--------------|
| Item | Part Number | Lev. | Description | Q'ty | Compat. | Serial Number | Mod. Remarks |
| 0-15 | *****-***** | | NOT FOR SALE | 1 | | | service |
| 1 | 15018-10002 | . | PLUG | 1 | | | |
| 2 | 19010-22541 | . | BLOCK | 1 | | | |
| 3 | 19010-22561 | . | CAP | 1 | | | |
| 4 | 19010-22551 | . | COLLAR | 2 | | | |
| 5 | 19010-22556 | . | SPRING | 1 | | | |
| 6 | 11100-50514 | . | SCREW, cap | 3 | | | |
| 7 | 11400-10005 | . | WASHER, spring | 1 | | | |
| 8 | 11411-00005 | . | WASHER | 1 | | | |
| 9 | 14200-00120 | . | O-RING | 2 | | | |
| 10 | 14210-30120 | . | RING, backup | 2 | | | |
| 11 | 14201-00400 | . | O RING | 1 | | | |



BLOCK ASSY; No. 6

| Item List | | | | | | | |
|-----------|-------------|------|----------------|------|---------|---------------|---------------|
| Item | Part Number | Lev. | Description | Q'ty | Compat. | Serial Number | Mod. Remarks |
| 0-16 | *****-***** | | NOT FOR SALE | 1 | | | SpanOutrigger |
| 1 | 19010-22590 | . | PLUG | 1 | | | |
| 2 | 19010-22566 | . | VALVE, check | 1 | | | |
| 3 | 19010-22557 | . | SPRING | 1 | | | |
| 4 | 19010-22541 | . | BLOCK | 1 | | | |
| 5 | 19010-22561 | . | CAP | 1 | | | |
| 6 | 19010-22551 | . | COLLAR | 2 | | | |
| 7 | 19010-22556 | . | SPRING | 1 | | | |
| 8 | 11100-50514 | . | SCREW, cap | 3 | | | |
| 9 | 11400-10005 | . | WASHER, spring | 1 | | | |
| 10 | 11411-00005 | . | WASHER | 1 | | | |
| 11 | 14203-10905 | . | O-RING | 1 | | | |
| 12 | 19010-29081 | . | O-RING | 2 | | | |
| 13 | 14210-30120 | . | RING, backup | 2 | | | |
| 14 | 14201-00400 | . | O RING | 1 | | | |
| 15 | 19010-22591 | . | SPACER | 1 | | | |
| 16 | 19010-25191 | . | CHECK SHEET | 2 | | | |
| 17 | 19010-25192 | . | BALL, steel | 1 | | | |

BLOCK ASSY; No. 7

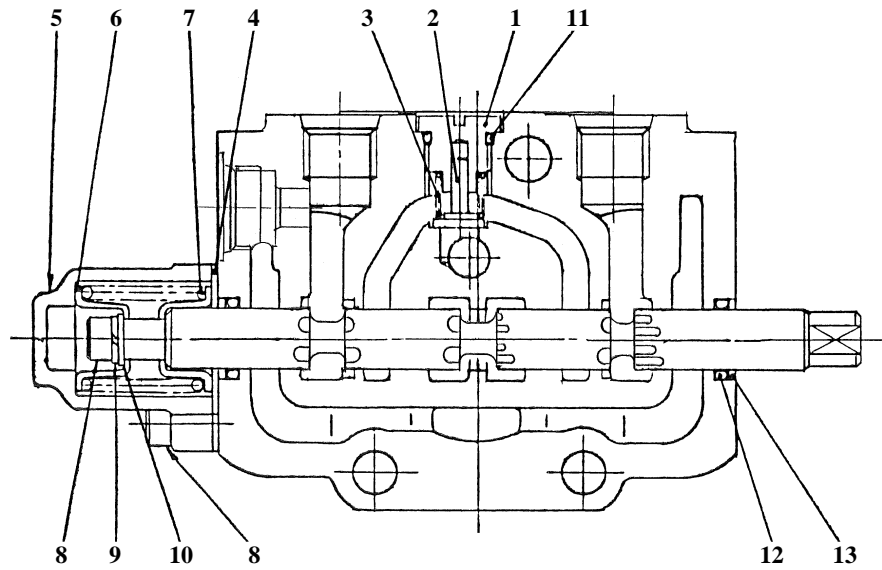
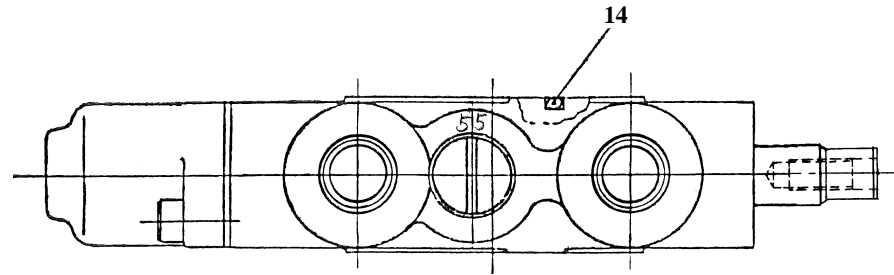


X4H100

S=FREE

BLOCK ASSY; No. 7

| Item List | | | | | | | | |
|-----------|-------------|------|----------------|------|---------|---------------|------|---------|
| Item | Part Number | Lev. | Description | Q'ty | Compat. | Serial Number | Mod. | Remarks |
| 0-17 | *****-***** | | NOT FOR SALE | 1 | | | | slew |
| 1 | 19010-22590 | . | PLUG | 1 | | | | |
| 2 | 19010-22566 | . | VALVE, check | 1 | | | | |
| 3 | 19010-22557 | . | SPRING | 1 | | | | |
| 4 | 19010-22541 | . | BLOCK | 1 | | | | |
| 5 | 19010-22561 | . | CAP | 1 | | | | |
| 6 | 19010-22551 | . | COLLAR | 2 | | | | |
| 7 | 19010-22556 | . | SPRING | 1 | | | | |
| 8 | 11100-50514 | . | SCREW, cap | 3 | | | | |
| 9 | 11400-10005 | . | WASHER, spring | 1 | | | | |
| 10 | 11411-00005 | . | WASHER | 1 | | | | |
| 11 | 14203-10905 | . | O-RING | 1 | | | | |
| 12 | 19010-29081 | . | O-RING | 2 | | | | |
| 13 | 14210-30120 | . | RING, backup | 2 | | | | |
| 14 | 14201-00400 | . | O RING | 1 | | | | |



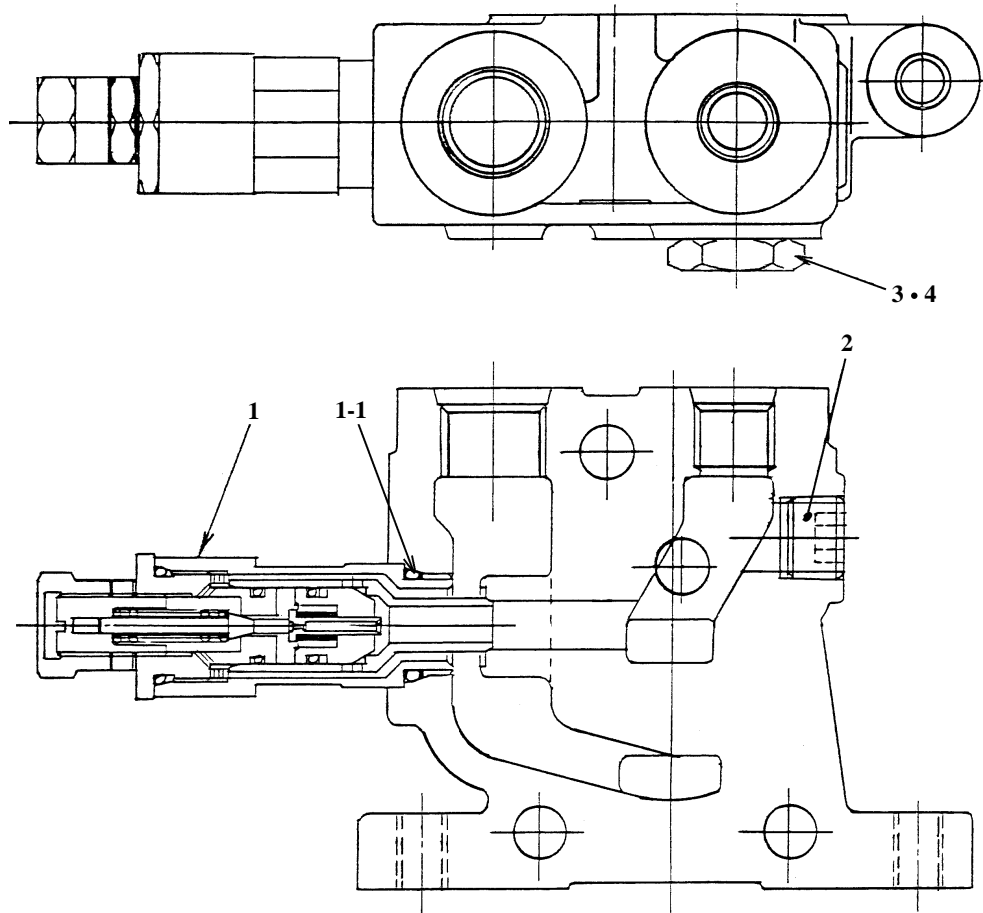
X4H110

S=FREE

BLOCK ASSY; No. 8

| Item List | | | | | | | |
|-----------|-------------|------|----------------|------|---------|---------------|--------------|
| Item | Part Number | Lev. | Description | Q'ty | Compat. | Serial Number | Mod. Remarks |
| 0-18 | *****-***** | | NOT FOR SALE | 1 | | | arm |
| 1 | 19010-22590 | . | PLUG | 1 | | | |
| 2 | 19010-22566 | . | VALVE, check | 1 | | | |
| 3 | 19010-22557 | . | SPRING | 1 | | | |
| 4 | 19010-22541 | . | BLOCK | 1 | | | |
| 5 | 19010-22561 | . | CAP | 1 | | | |
| 6 | 19010-22551 | . | COLLAR | 2 | | | |
| 7 | 19010-22556 | . | SPRING | 1 | | | |
| 8 | 11100-50514 | . | SCREW, cap | 3 | | | |
| 9 | 11400-10005 | . | WASHER, spring | 1 | | | |
| 10 | 11411-00005 | . | WASHER | 1 | | | |
| 11 | 14203-10905 | . | O-RING | 1 | | | |
| 12 | 19010-29081 | . | O-RING | 2 | | | |
| 13 | 14210-30120 | . | RING, backup | 2 | | | |
| 14 | 14201-00400 | . | O RING | 1 | | | |

INLET COVER 2



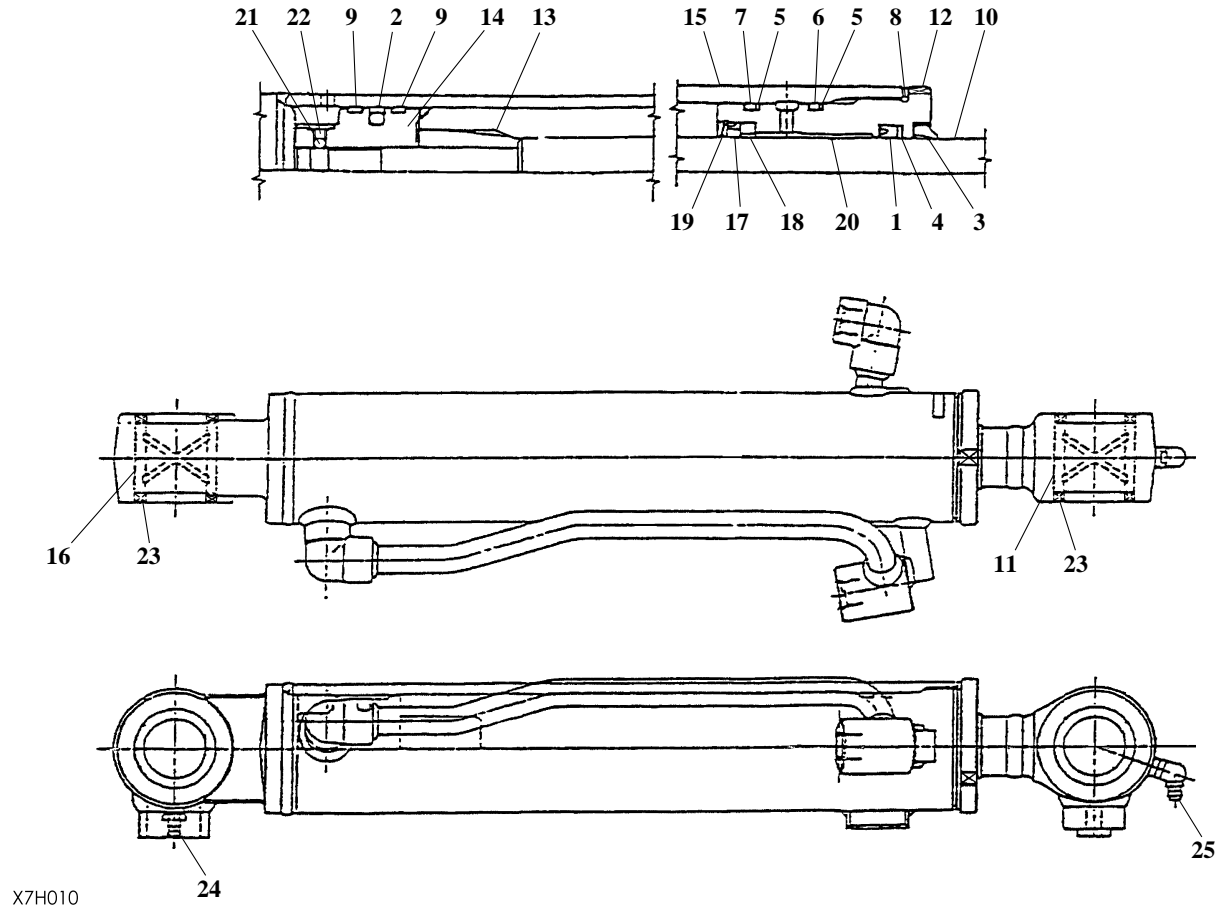
X4H120

S=FREE

INLET COVER 2

| Item List | | | | | | | | |
|-----------|-------------|------|---------------|------|---------|---------------|------|---------|
| Item | Part Number | Lev. | Description | Q'ty | Compat. | Serial Number | Mod. | Remarks |
| 0 | *****_***** | | NOT FOR SALE | 1 | | | | T2, P2 |
| 1 | 19010-32021 | . | VALVE, relief | 1 | | | | |
| 1-1 | 14200-00140 | .. | O-RING | 1 | | | | |
| 2 | 15018-10002 | . | PLUG | 1 | | | | |
| 3 | 19010-25193 | . | PLUG | 1 | | | | |
| 4 | 14200-10110 | . | O-RING | 1 | | | | |

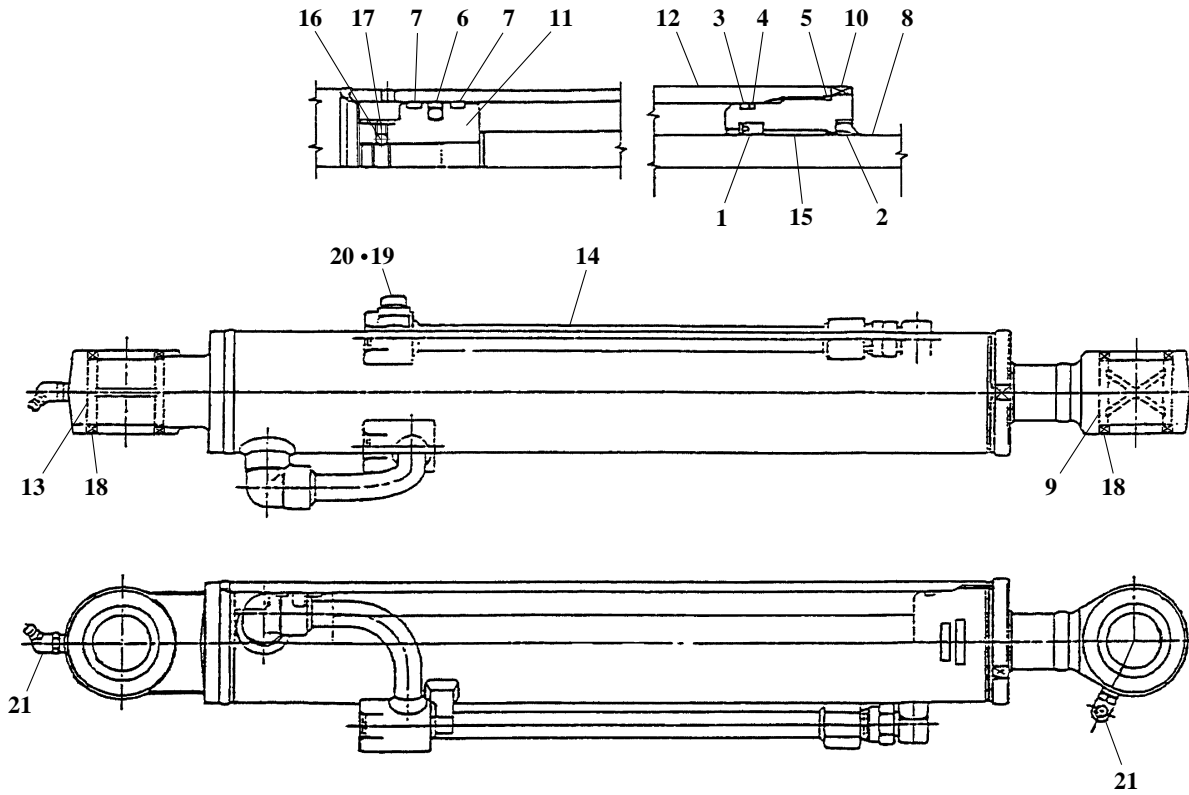
BOOM CYLINDER



BOOM CYLINDER

| Item List | | | | | | | | |
|-----------|-------------|------|-----------------|------|---------|---------------|------|---------|
| Item | Part Number | Lev. | Description | Q'ty | Compat. | Serial Number | Mod. | Remarks |
| 0 | 19000-66900 | | CYLINDER, boom | 1 | | | | |
| 0-1 | 19000-66999 | . | KIT, seal | 1 | | | | |
| 1 | 14105-30408 | .. | PACKING, rod | 1 | | | | |
| 2 | 19000-51932 | .. | PACKING, piston | 1 | | | | |
| 3 | 19000-51931 | .. | SEAL, dust | 1 | | | | |
| 4 | 19000-62231 | .. | RING, back-up | 1 | | | | |
| 5 | 14211-20500 | .. | RING, back-up | 2 | | | | |
| 6 | 14201-10500 | .. | O-RING | 1 | | | | |
| 7 | 14201-10450 | .. | O-RING | 1 | | | | |
| 8 | 14205-00550 | .. | O-RING | 1 | | | | |
| 9 | 19000-66726 | .. | RING, wear | 2 | | | | |
| 10 | 19000-66901 | . | ROD, piston | 1 | | | | |
| 11 | 19000-24720 | .. | BUSHING | 1 | | | | |
| 12 | 19000-58803 | . | COVER, rod | 1 | | | | |
| 13 | 19000-58816 | . | CUSHION, rod | 1 | | | | |
| 14 | 19000-53506 | . | PISTON | 1 | | | | |
| 15 | 19000-66907 | . | TUBE | 1 | | | | |
| 16 | 19000-24720 | .. | BUSHING | 1 | | | | |
| 17 | 19000-58615 | . | SPACER | 1 | | | | |
| 18 | 19000-58616 | . | CUSHION, ling | 1 | | | | |
| 19 | 19000-58626 | . | STOPPER | 1 | | | | |
| 20 | 13330-03025 | . | BUSHING | 1 | | | | |
| 21 | 13900-10250 | . | BALL, steel | 1 | | | | |
| 22 | 11210-40606 | . | SCREW, set | 1 | | | | |
| 23 | 19001-24835 | . | SEAL, dust | 4 | | | | |
| 24 | 19001-05028 | . | FITTING, grease | 1 | | | | |
| 25 | 19001-05029 | . | FITTING, grease | 1 | | | | |

ARM CYLINDER



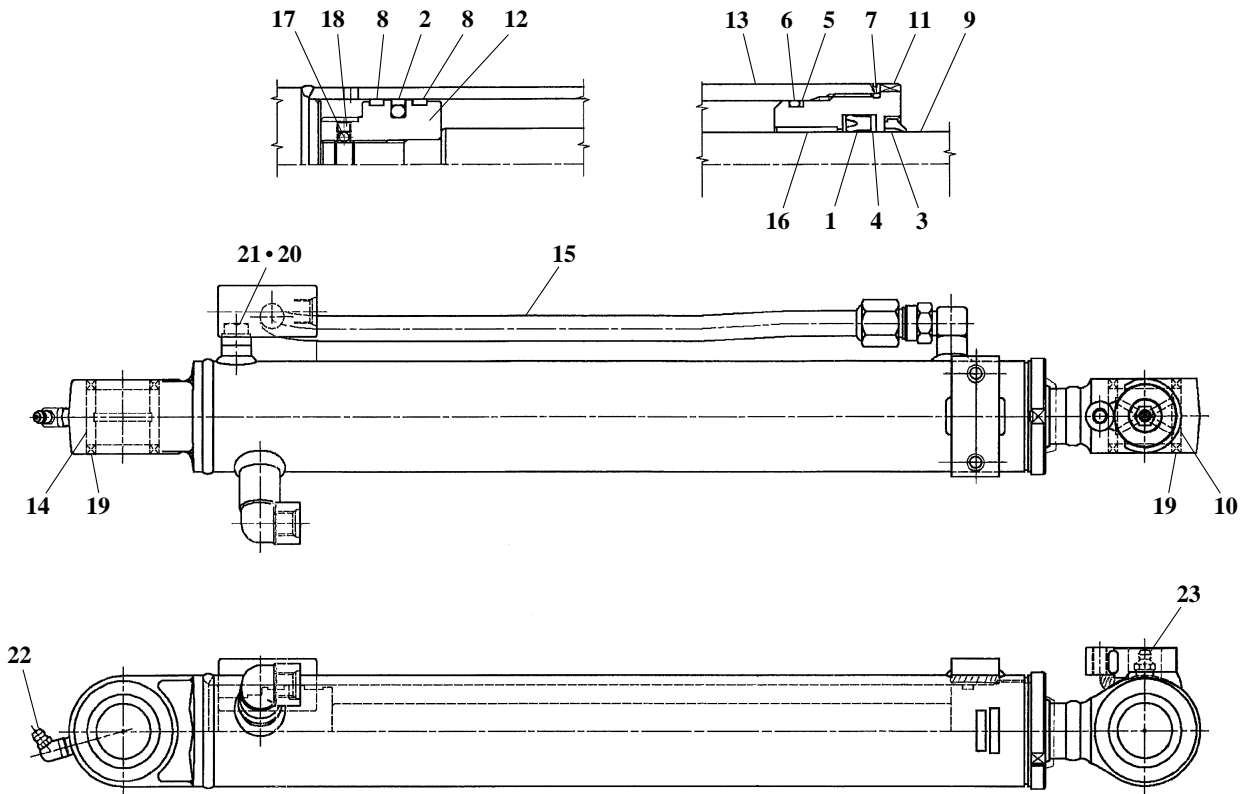
X7H020

S=FREE

ARM CYLINDER

| Item List | | | | | | | | |
|-----------|-------------|------|-----------------|------|---------|---------------|------|---------|
| Item | Part Number | Lev. | Description | Q'ty | Compat. | Serial Number | Mod. | Remarks |
| 0 | 19000-67000 | | CYLINDER, arm | 1 | | | | |
| 0-1 | 19000-51999 | . | KIT, seal | 1 | | | | |
| 1 | 14105-30408 | .. | PACKING, rod | 1 | | | | |
| 2 | 19000-51931 | .. | SEAL, dust | 1 | | | | |
| 3 | 14201-10500 | .. | O-RING | 1 | | | | |
| 4 | 14211-30500 | .. | RING, back-up | 1 | | | | |
| 5 | 14205-00550 | .. | O-RING | 1 | | | | |
| 6 | 19000-51932 | .. | PACKING, piston | 1 | | | | |
| 7 | 19000-66726 | .. | RING, wear | 2 | | | | |
| 8 | 19000-67001 | . | ROD, piston | 1 | | | | |
| 9 | 19000-24720 | .. | BUSHING | 1 | | | | |
| 10 | 19000-53503 | . | COVER, rod | 1 | | | | |
| 11 | 19000-53506 | . | PISTON | 1 | | | | |
| 12 | 19000-67007 | . | TUBE | 1 | | | | |
| 13 | 19000-61402 | .. | BUSHING | 1 | | | | |
| 14 | 19000-67026 | . | PIPE ASSY | 1 | | | | |
| 15 | 13330-03025 | . | BUSHING | 1 | | | | |
| 16 | 13900-10250 | . | BALL, steel | 1 | | | | |
| 17 | 11210-40606 | . | SCREW, set | 1 | | | | |
| 18 | 19001-24835 | . | SEAL, dust | 4 | | | | |
| 19 | 19001-67019 | . | BOLT | 1 | | | | |
| 20 | 11400-10008 | . | WASHER, spring | 1 | | | | |
| 21 | 19001-05029 | . | FITTING, grease | 2 | | | | |

BUCKET CYLINDER



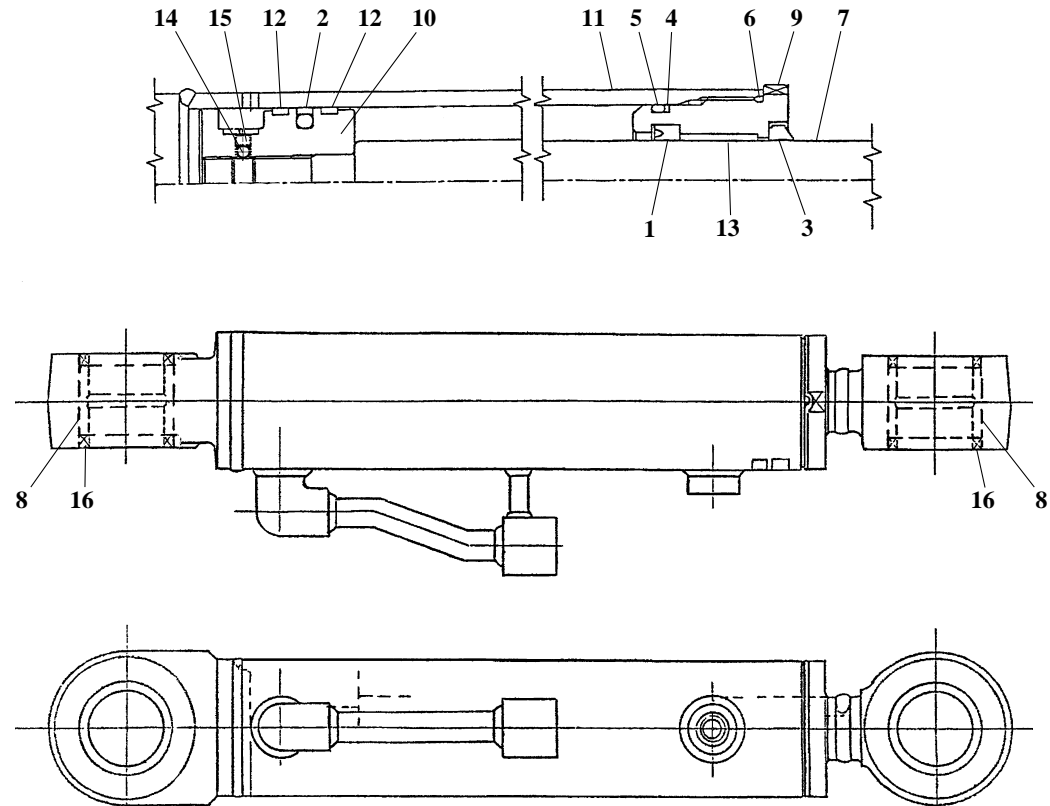
X7H030

S=FREE

BUCKET CYLINDER

| Item List | | | | | | | | |
|-----------|-------------|------|------------------|------|---------|---------------|------|---------|
| Item | Part Number | Lev. | Description | Q'ty | Compat. | Serial Number | Mod. | Remarks |
| 0 | 19000-67100 | | CYLINDER, bucket | 1 | | | | |
| 0-1 | 19000-59099 | . | KIT, seal | 1 | | | | |
| 1 | 14105-30408 | .. | PACKING, rod | 1 | | | | |
| 2 | 19000-56931 | .. | PACKING, piston | 1 | | | | |
| 3 | 19000-51931 | .. | SEAL, dust | 1 | | | | |
| 4 | 14112-40302 | .. | RING, back-up | 1 | | | | |
| 5 | 14211-30450 | .. | RING, back-up | 1 | | | | |
| 6 | 14201-10450 | .. | O-RING | 1 | | | | |
| 7 | 14205-00500 | .. | O-RING | 1 | | | | |
| 8 | 19000-67126 | .. | RING, wear | 2 | | | | |
| 9 | 19000-67101 | . | ROD, piston | 1 | | | | |
| 10 | 19000-46302 | .. | BUSHING | 1 | | | | |
| 11 | 19000-59003 | . | COVER, rod | 1 | | | | |
| 12 | 19000-59006 | . | PISTON | 1 | | | | |
| 13 | 19000-67107 | . | TUBE | 1 | | | | |
| 14 | 19000-46320 | .. | BUSHING | 1 | | | | |
| 15 | 19000-67127 | . | PIPE ASSY | 1 | | | | |
| 16 | 13330-03025 | . | BUSHING | 1 | | | | |
| 17 | 13900-10250 | . | BALL, steel | 1 | | | | |
| 18 | 11210-40606 | . | SCREW, set | 1 | | | | |
| 19 | 19001-24835 | . | SEAL, dust | 4 | | | | |
| 20 | 19001-67019 | . | BOLT | 1 | | | | |
| 21 | 11400-10008 | . | WASHER, spring | 1 | | | | |
| 22 | 19001-05029 | . | FITTING, grease | 1 | | | | |
| 23 | 19001-05028 | . | FITTING, grease | 1 | | | | |

OUTRIGGER CYLINDER 1



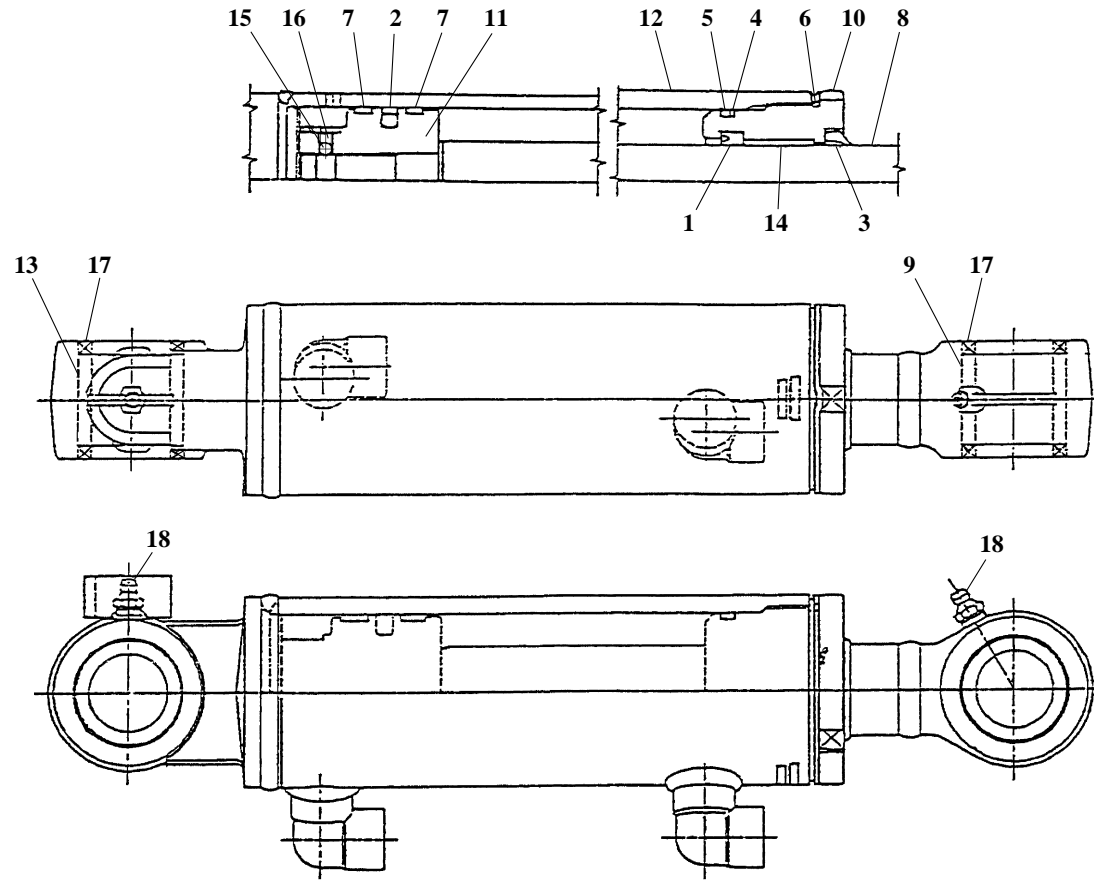
X7H040

S=FREE

OUTRIGGER CYLINDER 1

| Item List | | | | | | | | |
|-----------|-------------|------|---------------------|------|---------|---------------|------|---------|
| Item | Part Number | Lev. | Description | Q'ty | Compat. | Serial Number | Mod. | Remarks |
| 0 | 19000-67800 | | CYLINDER, outrigger | 1 | | | | |
| 0-1 | 19000-64699 | . | KIT, seal | 1 | | | | |
| 1 | 14105-30408 | .. | PACKING, rod | 1 | | | | |
| 2 | 19000-51932 | .. | PACKING, piston | 1 | | | | |
| 3 | 19000-51931 | .. | SEAL, dust | 1 | | | | |
| 4 | 14211-20500 | .. | RING, back-up | 1 | | | | |
| 5 | 14201-10500 | .. | O-RING | 1 | | | | |
| 6 | 14205-00550 | .. | O-RING | 1 | | | | |
| 7 | 19000-67801 | . | ROD, piston | 1 | | | | |
| 8 | 19000-22102 | . | BUSHING | 2 | | | | |
| 9 | 19000-53503 | . | COVER, rod | 1 | | | | |
| 10 | 19000-53506 | . | PISTON | 1 | | | | |
| 11 | 19000-67807 | . | TUBE | 1 | | | | |
| 12 | 19000-66726 | . | RING, wear | 2 | | | | |
| 13 | 13330-03025 | . | BUSHING | 1 | | | | |
| 14 | 13900-10250 | . | BALL, steel | 1 | | | | |
| 15 | 11210-40606 | . | SCREW, set | 1 | | | | |
| 16 | 14322-00035 | . | SEAL, dust | 4 | | | | |

OUTRIGGER CYLINDER 2



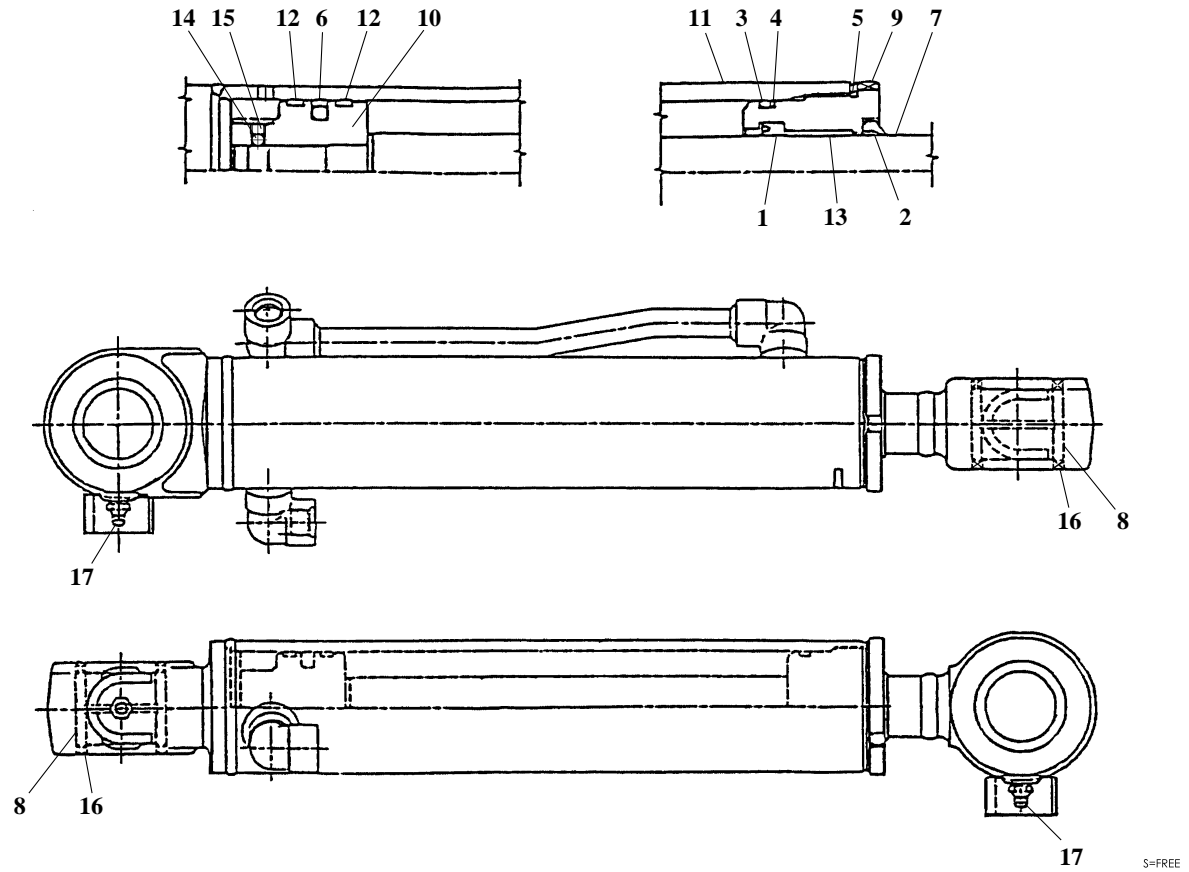
X7H050

S=FREE

OUTRIGGER CYLINDER 2

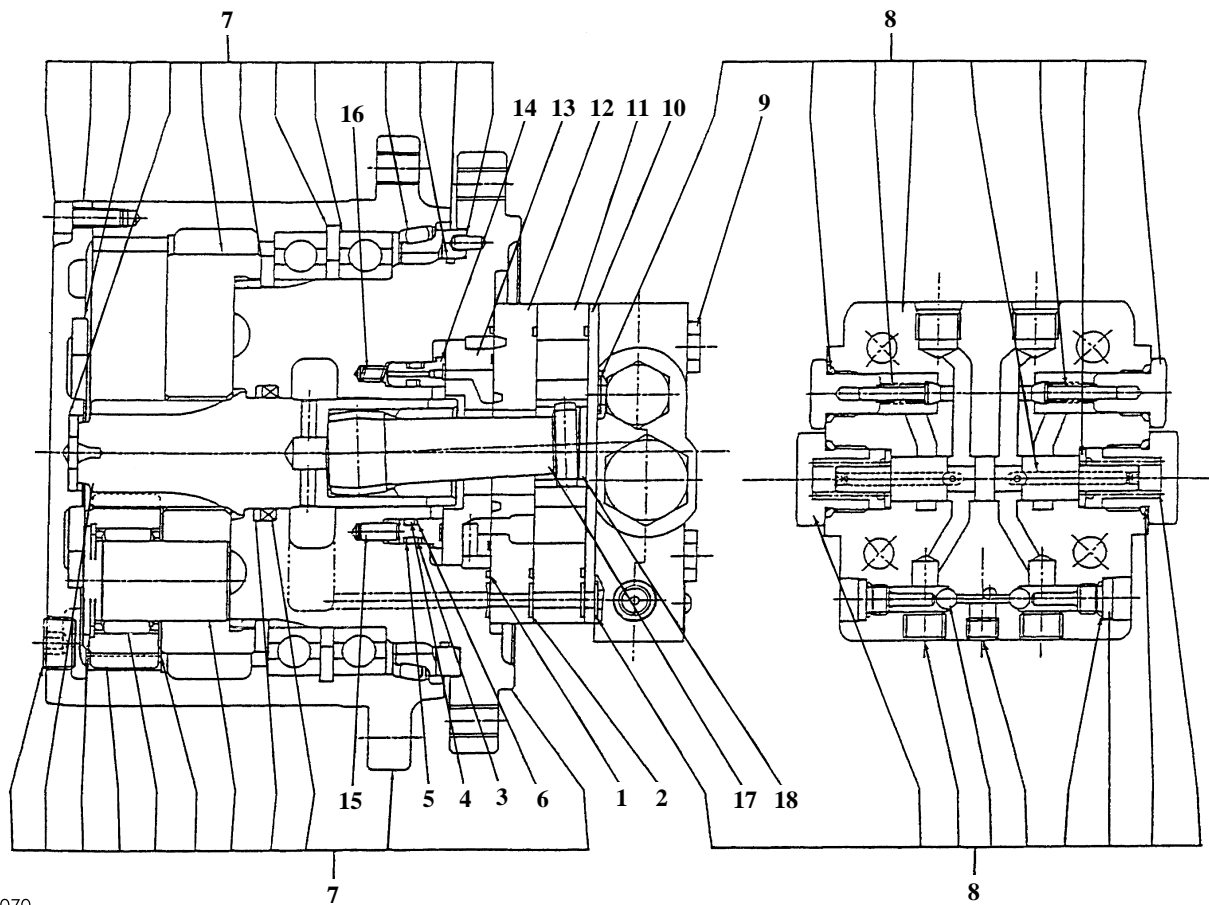
| Item List | | | | | | | | |
|-----------|-------------|------|---------------------|------|---------|---------------|------|---------|
| Item | Part Number | Lev. | Description | Q'ty | Compat. | Serial Number | Mod. | Remarks |
| 0 | 19000-66800 | | CYLINDER, outrigger | 1 | | | | |
| 0-1 | 19000-66399 | . | KIT, seal | 1 | | | | |
| 1 | 14105-35458 | .. | PACKING, rod | 1 | | | | |
| 2 | 19000-53331 | .. | PACKING, piston | 1 | | | | |
| 3 | 19000-33533 | .. | SEAL, dust | 1 | | | | |
| 4 | 14211-20550 | .. | RING, back-up | 1 | | | | |
| 5 | 14201-10550 | .. | O-RING | 1 | | | | |
| 6 | 14201-10600 | .. | O-RING | 1 | | | | |
| 7 | 19000-66826 | .. | RING, wear | 2 | | | | |
| 8 | 19000-66801 | . | ROD, piston | 1 | | | | |
| 9 | 19000-61402 | .. | BUSHING | 1 | | | | |
| 10 | 19000-53403 | . | COVER, rod | 1 | | | | |
| 11 | 19000-66806 | . | PISTON | 1 | | | | |
| 12 | 19000-66807 | . | TUBE | 1 | | | | |
| 13 | 19000-61402 | .. | BUSHING | 1 | | | | |
| 14 | 13330-03525 | . | BUSHING | 1 | | | | |
| 15 | 13900-10250 | . | BALL, steel | 1 | | | | |
| 16 | 11210-40607 | . | SET-SCREW | 1 | | | | |
| 17 | 19001-24835 | . | SEAL, dust | 4 | | | | |
| 18 | 19001-05028 | . | FITTING, grease | 2 | | | | |

SPAN CYLINDER



SPAN CYLINDER

| Item List | | | | | | | | |
|-----------|-------------|------|-----------------|------|---------|---------------|------|---------|
| Item | Part Number | Lev. | Description | Q'ty | Compat. | Serial Number | Mod. | Remarks |
| 0 | 19000-68900 | | CYLINDER ASSY | 1 | | | | |
| 0-1 | 19000-64699 | . | KIT, seal | 1 | | | | |
| 1 | 14105-30408 | .. | PACKING, rod | 1 | | | | |
| 2 | 19000-51931 | .. | SEAL, dust | 1 | | | | |
| 3 | 14201-10500 | .. | O-RING | 1 | | | | |
| 4 | 14211-20500 | .. | RING, back-up | 1 | | | | |
| 5 | 14205-00550 | .. | O-RING | 1 | | | | |
| 6 | 19000-51932 | .. | PACKING, piston | 1 | | | | |
| 7 | 19000-66701 | . | ROD, piston | 1 | | | | |
| 8 | 19000-22102 | . | BUSHING | 2 | | | | |
| 9 | 19000-53503 | . | COVER, rod | 1 | | | | |
| 10 | 19000-53506 | . | PISTON | 1 | | | | |
| 11 | 19000-68907 | . | TUBE | 1 | | | | |
| 12 | 19000-66726 | . | RING, wear | 2 | | | | |
| 13 | 13330-03025 | . | BUSHING | 1 | | | | |
| 14 | 13900-10250 | . | BALL, steel | 1 | | | | |
| 15 | 11210-40606 | . | SCREW, set | 1 | | | | |
| 16 | 14322-00035 | . | SEAL, dust | 4 | | | | |
| 17 | 15600-01000 | . | ADAPTOR | 2 | | | | |

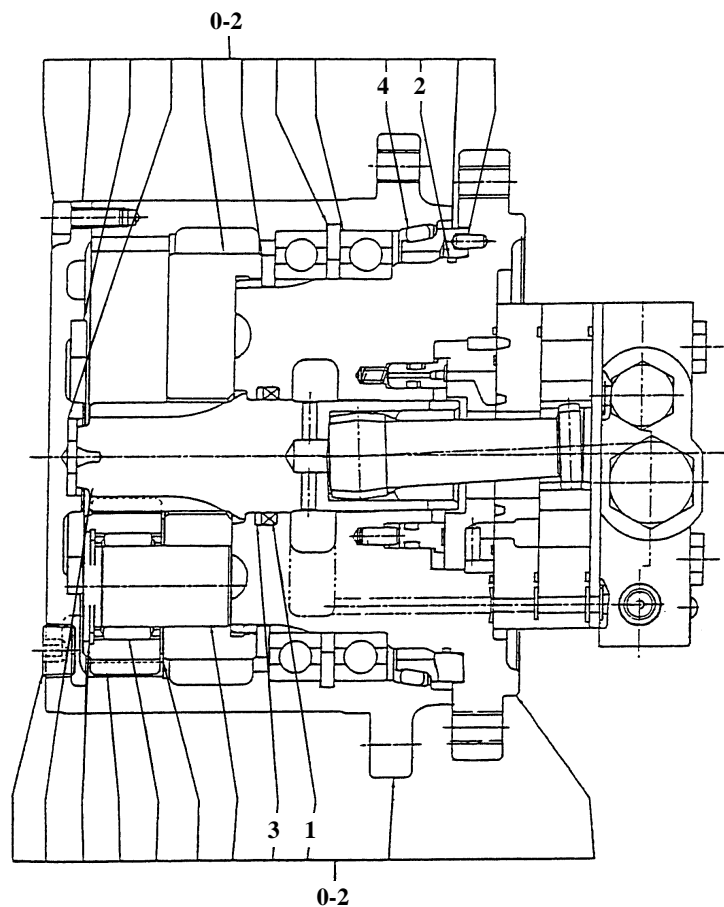


X7H070

S=free

TRAVEL MOTOR(1/3)(22001-22132)

| Item List | | | | | | | | |
|-----------|-------------|------|--------------------|------|---------|---------------|------|------------------------|
| Item | Part Number | Lev. | Description | Q'ty | Compat. | Serial Number | Mod. | Remarks |
| 0 | 19031-15300 | | MOTOR, travel | 1 | | | | 33/3/Including 1to3of3 |
| 0-1 | 19031-11199 | . | KIT, seal | 1 | | | | |
| 1 | 14203-10041 | .. | O-RING | 3 | | | | |
| 2 | 14203-10011 | .. | O-RING | 3 | | | | |
| 3 | 19031-11155 | .. | O-RING | 1 | | | | |
| 4 | 19031-11156 | .. | O-RING | 1 | | | | |
| 5 | 19031-11157 | .. | RING, back-up | 2 | | | | |
| 6 | 19031-11158 | .. | RING, back-up | 1 | | | | |
| 7 | 19129-04300 | . | MOTOR ASSY, travel | 1 | | | | |
| 8 | 19018-06600 | . | COVER ASSY | 1 | | | | |
| 9 | 19031-11143 | . | BOLT | 4 | | | | |
| 10 | 19031-11144 | . | PLATE | 1 | | | | |
| 11 | 19031-15345 | . | GEROLLER | 1 | | | | |
| 12 | 19031-11146 | . | PLATE | 1 | | | | |
| 13 | 19031-11147 | . | BULB | 1 | | | | |
| 14 | 19031-11148 | . | PLATE | 1 | | | | |
| 15 | 19031-03634 | . | PIN | 2 | | | | |
| 16 | 19031-03632 | . | SPRING | 2 | | | | |
| 17 | 19031-15351 | . | DRIVE | 1 | | | | |
| 18 | 19031-11152 | . | SPACER | 2 | | | | |

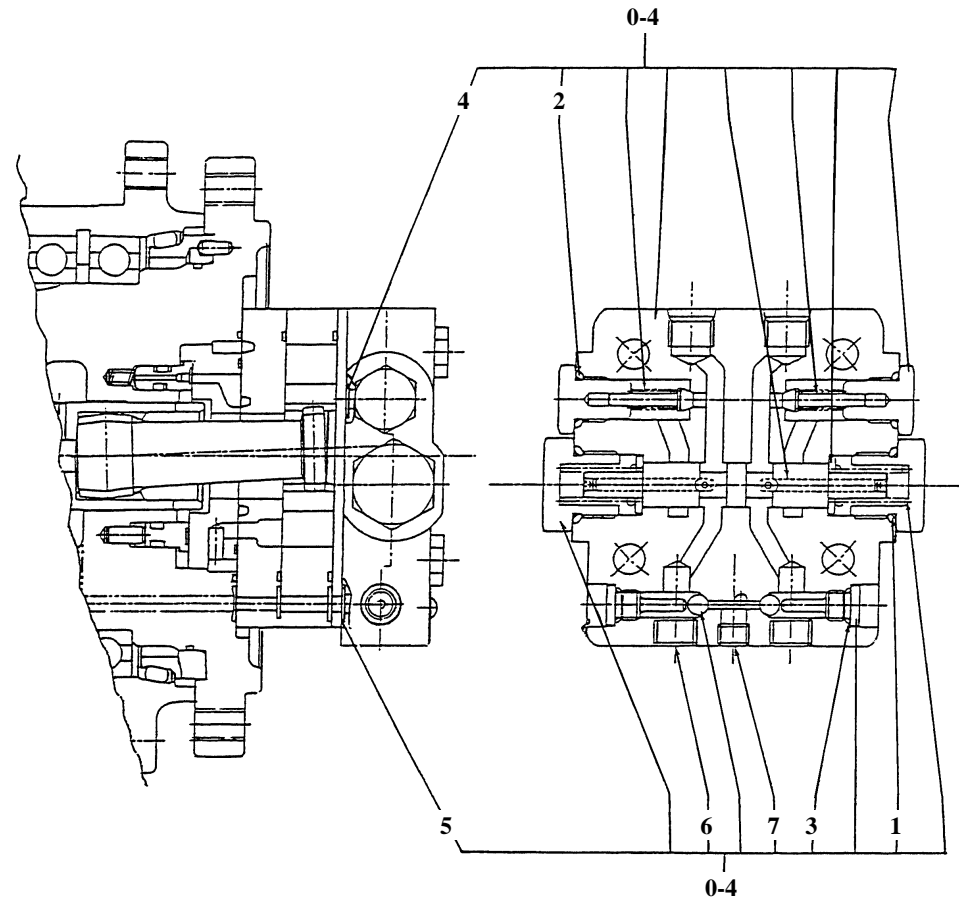


X7H080

S=free

TRAVEL MOTOR(2/3)(22001-22132)

| Item List | | | | | | | | |
|-----------|-------------|------|--------------------|------|---------|---------------|------|---------|
| Item | Part Number | Lev. | Description | Q'ty | Compat. | Serial Number | Mod. | Remarks |
| 0-2 | 19129-04300 | | MOTOR ASSY, travel | 1 | | | | |
| 0-3 | 19129-04399 | . | KIT, seal | 1 | | | | |
| 1 | 19129-04319 | .. | X-RING | 1 | | | | |
| 2 | 19129-04322 | .. | O-RING | 1 | | | | |
| 3 | 19129-04320 | .. | RING, back-up | 1 | | | | |
| 4 | 19129-02621 | . | SEAL, floating | 1 | | | | |



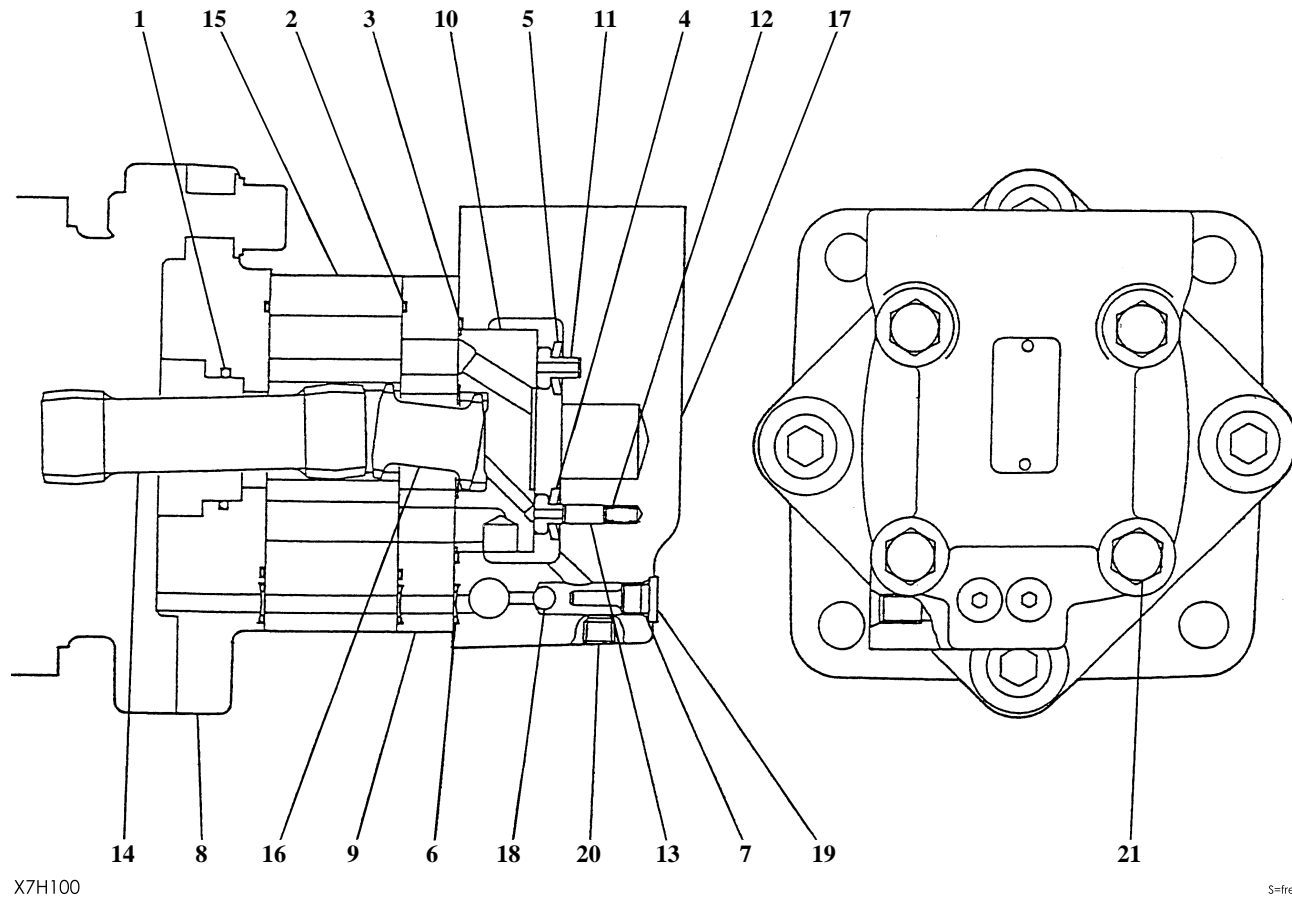
X7H090

S=free

TRAVEL MOTOR(3/3)(22001-22132)

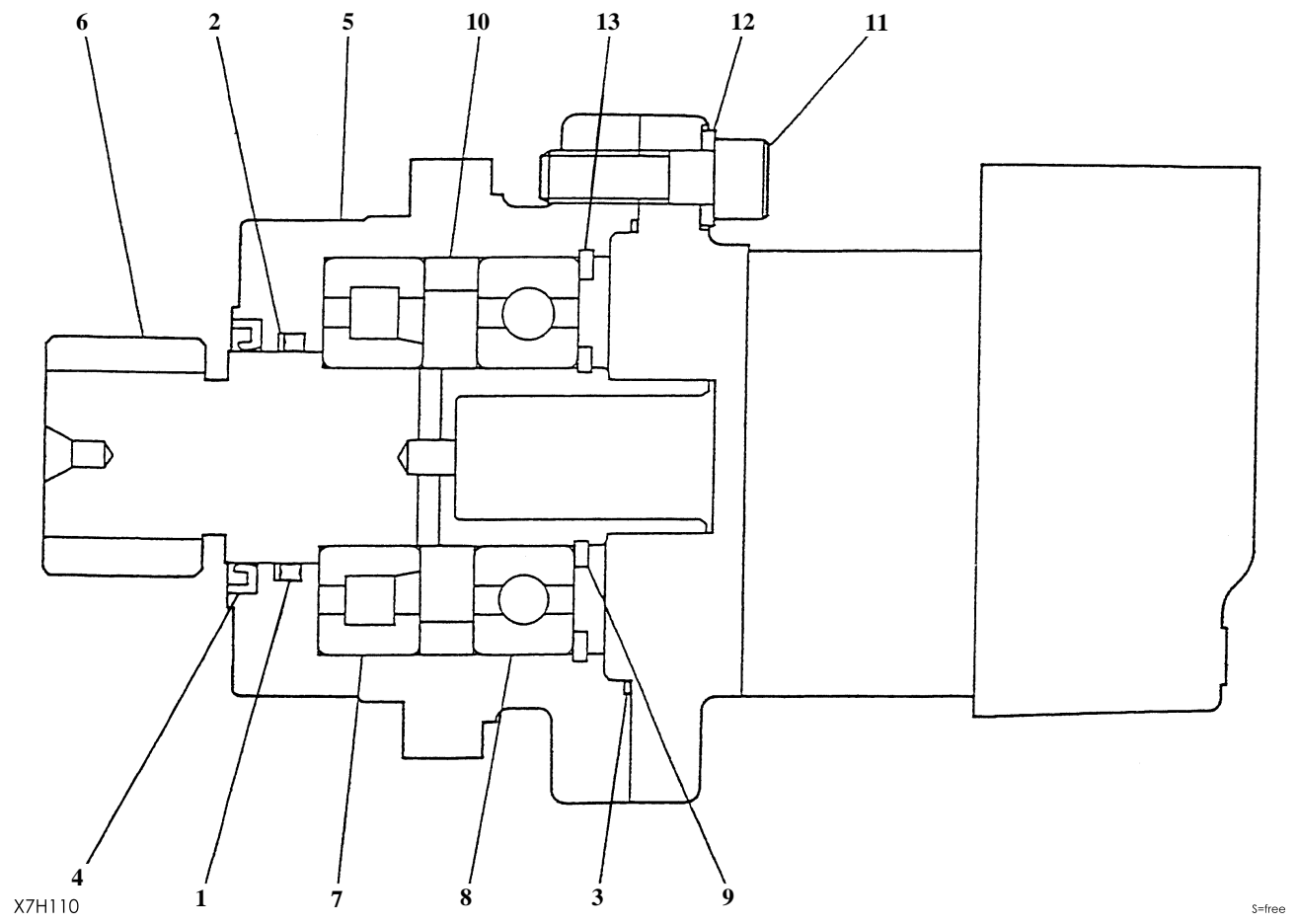
| Item List | | | | | | | | |
|-----------|-------------|------|-------------|------|---------|---------------|------|---------|
| Item | Part Number | Lev. | Description | Q'ty | Compat. | Serial Number | Mod. | Remarks |
| 0-4 | 19018-06600 | | COVER ASSY | 1 | | | | |
| 0-5 | 19018-06699 | . | KIT, seal | 1 | | | | |
| 1 | 19018-06630 | .. | O-RING | 2 | | | | |
| 2 | 14203-10906 | .. | O-RING | 2 | | | | |
| 3 | 14203-10903 | .. | O-RING | 2 | | | | |
| 4 | 19018-06640 | .. | O-RING | 2 | | | | |
| 5 | 19018-06641 | .. | O-RING | 1 | | | | |
| 6 | 19018-06642 | . | PLUG | 2 | | | | |
| 7 | 19018-06662 | . | PLUG | 1 | | | | |

SLEW MOTOR (1/3)



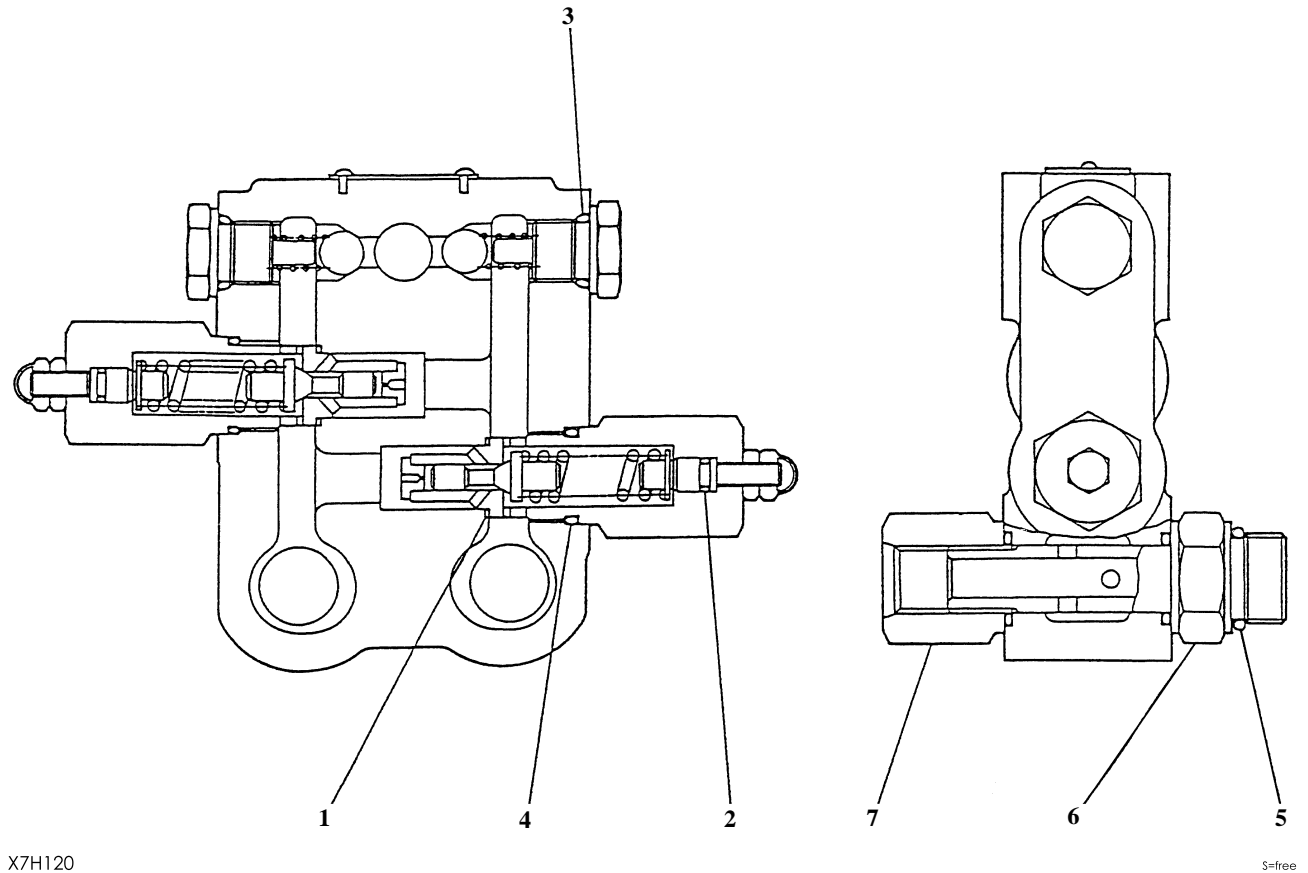
SLEW MOTOR (1/3)

| Item List | | | | | | | | |
|-----------|-------------|------|-------------|------|---------|---------------|------|------------------------|
| Item | Part Number | Lev. | Description | Q'ty | Compat. | Serial Number | Mod. | Remarks |
| 0 | 19031-15200 | | MOTOR, slew | 1 | | | | 33/3/Including 1to3of3 |
| 0-1 | 19039-02600 | . | MOTOR ASSY | 1 | | | | |
| 0-2 | 19039-02699 | .. | KIT, seal | 1 | | | | |
| 1 | 14203-10128 | ... | O-RING | 1 | | | | |
| 2 | 14203-10041 | ... | O-RING | 2 | | | | |
| 3 | 14203-10038 | ... | O-RING | 1 | | | | |
| 4 | 14329-00016 | ... | SEAL | 1 | | | | |
| 5 | 14329-00015 | ... | SEAL | 1 | | | | |
| 6 | 14203-10011 | ... | O-RING | 3 | | | | |
| 7 | 14203-10903 | ... | O-RING | 2 | | | | |
| 8 | 19031-02635 | .. | FLANGE | 1 | | | | |
| 9 | 19031-03628 | .. | PLATE | 1 | | | | |
| 10 | 19031-03630 | .. | BULB | 1 | | | | |
| 11 | 19031-03631 | .. | PLATE | 1 | | | | |
| 12 | 19031-03632 | .. | SPRING | 2 | | | | |
| 13 | 19031-03634 | .. | PIN | 2 | | | | |
| 14 | 19039-00322 | .. | DRIVE | 1 | | | | |
| 15 | 19039-00323 | .. | GEROLLER | 1 | | | | |
| 16 | 19031-02624 | .. | DRIVE | 1 | | | | |
| 17 | 19039-02631 | .. | HOUSING | 1 | | | | |
| 18 | 13900-20400 | .. | BALL, steel | 2 | | | | |
| 19 | 19031-03641 | .. | PLUG | 2 | | | | |
| 20 | 19031-03646 | .. | PLUG | 1 | | | | |
| 21 | 19039-02638 | .. | BOLT | 4 | | | | |



SLEW MOTOR (2/3)

| Item List | | | | | | | | |
|-----------|-------------|------|------------------|------|---------|---------------|------|---------|
| Item | Part Number | Lev. | Description | Q'ty | Compat. | Serial Number | Mod. | Remarks |
| 0-3 | 19129-02900 | | PINION GEAR ASSY | 1 | | | | |
| 0-4 | 19031-04899 | . | KIT, seal | 1 | | | | |
| 1 | 19031-04805 | .. | X-RING | 1 | | | | |
| 2 | 19031-04806 | .. | RING, back-up | 1 | | | | |
| 3 | 14203-10155 | .. | O-RING | 1 | | | | |
| 4 | 19031-04839 | .. | SEAL, dust | 1 | | | | |
| 5 | 19129-02801 | . | HOUSING | 1 | | | | |
| 6 | 19129-02902 | . | GEAR | 1 | | | | |
| 7 | 19031-02612 | . | BEARING | 1 | | | | |
| 8 | 13000-06308 | . | BEARING | 1 | | | | |
| 9 | 12200-00040 | . | RING, retaining | 1 | | | | |
| 10 | 19031-02604 | . | SPACER | 1 | | | | |
| 11 | 11100-51240 | . | SCREW, cap | 4 | | | | |
| 12 | 11400-10012 | . | WASHER, spring | 4 | | | | |
| 13 | 12210-00090 | . | RING, snap | 1 | | | | |



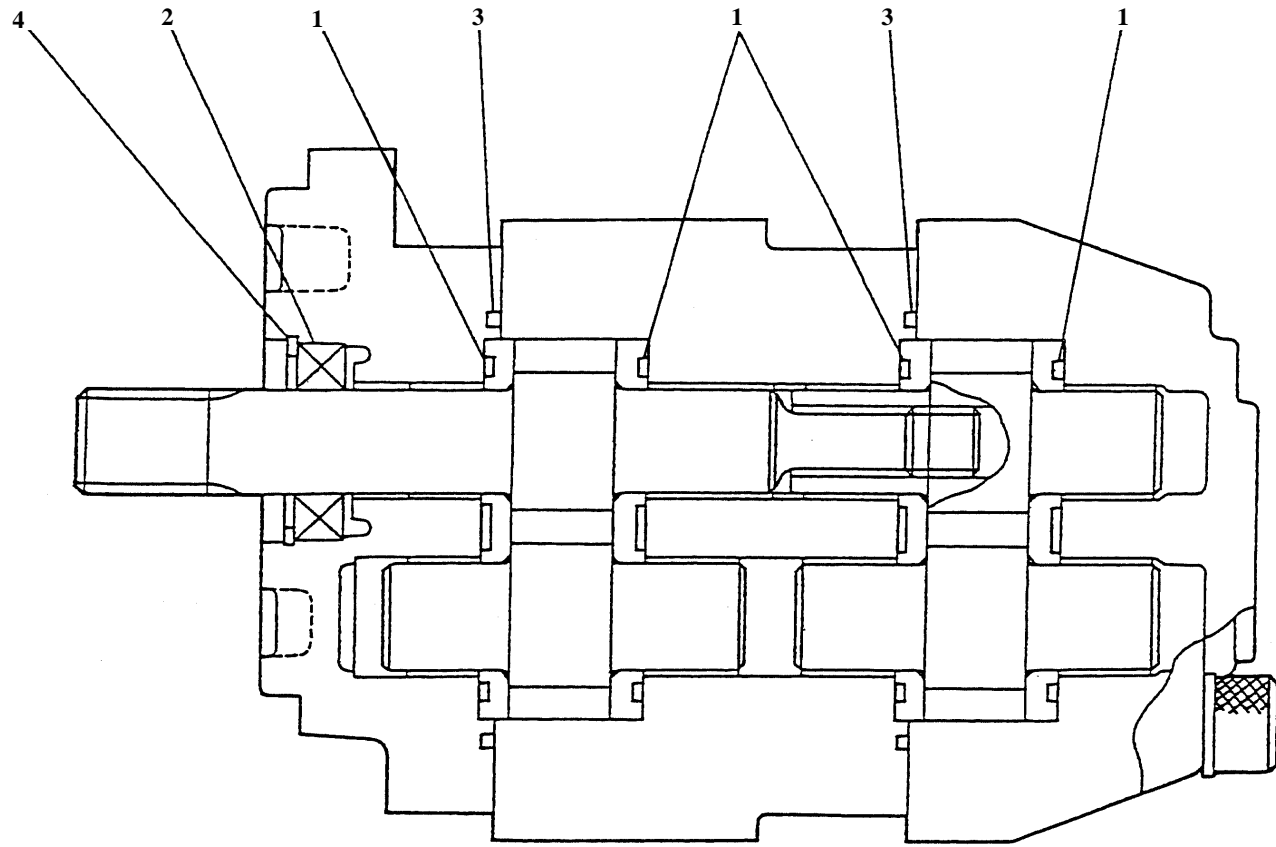
X7H120

S=free

SLEW MOTOR (3/3)

| Item List | | | | | | | | |
|-----------|-------------|------|------------------|------|---------|---------------|------|---------|
| Item | Part Number | Lev. | Description | Q'ty | Compat. | Serial Number | Mod. | Remarks |
| 0-5 | 19018-07500 | | VALVE, relief | 1 | | | | |
| 0-6 | 19018-06799 | . | KIT, seal | 1 | | | | |
| 1 | 19018-06708 | .. | PACKING | 2 | | | | |
| 2 | 14200-00050 | .. | O-RING | 2 | | | | |
| 3 | 14200-10140 | .. | O-RING | 3 | | | | |
| 4 | 14200-10200 | .. | O-RING | 4 | | | | |
| 5 | 14200-10180 | .. | O-RING | 2 | | | | |
| 6 | 19018-06722 | . | VALVE ASSY, seat | 2 | | | | |
| 7 | 19018-06723 | . | CAP | 2 | | | | |

HYDRAULIC PUMP



X7H130

S=free

HYDRAULIC PUMP

| Item List | | | | | | | | |
|-----------|-------------|------|-------------|------|---------|---------------|------|---------|
| Item | Part Number | Lev. | Description | Q'ty | Compat. | Serial Number | Mod. | Remarks |
| 0 | 19020-13100 | | PUMP | 1 | | | | |
| 0-1 | 19020-11899 | . | KIT, seal | 1 | | | | |
| 1 | 19020-11150 | .. | GASKET | 4 | | | | |
| 2 | 19020-11165 | .. | SEAL, oil | 1 | | | | |
| 3 | 19020-11151 | .. | GASKET | 2 | | | | |
| 4 | 12210-00032 | . | RING, snap | 1 | | | | |